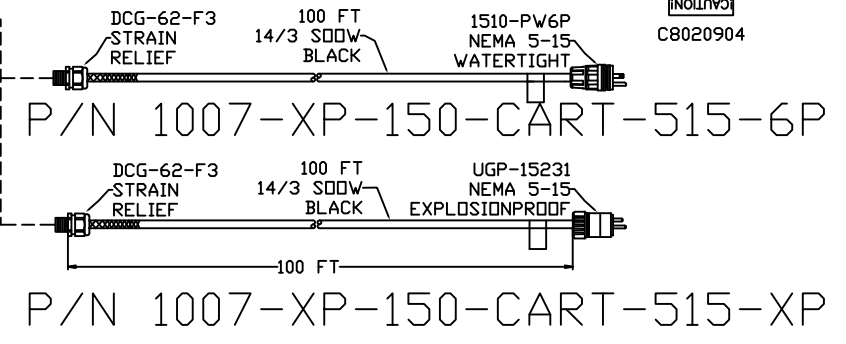
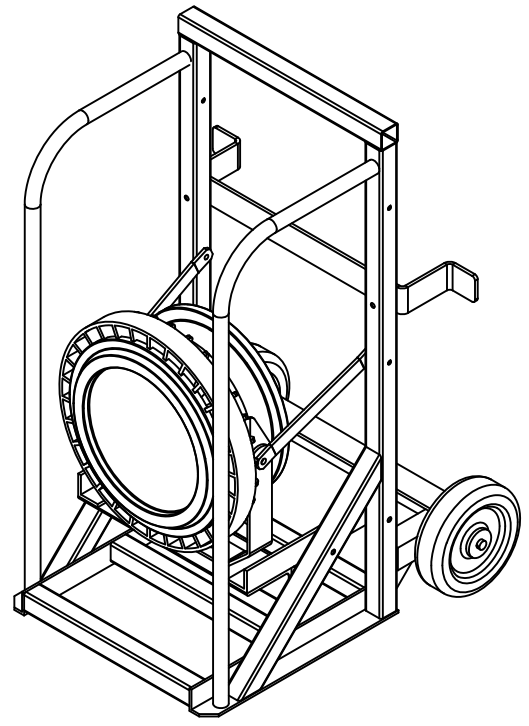
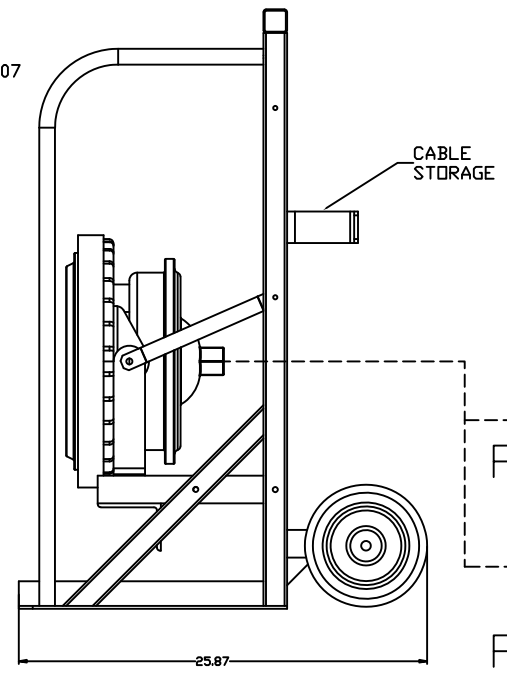
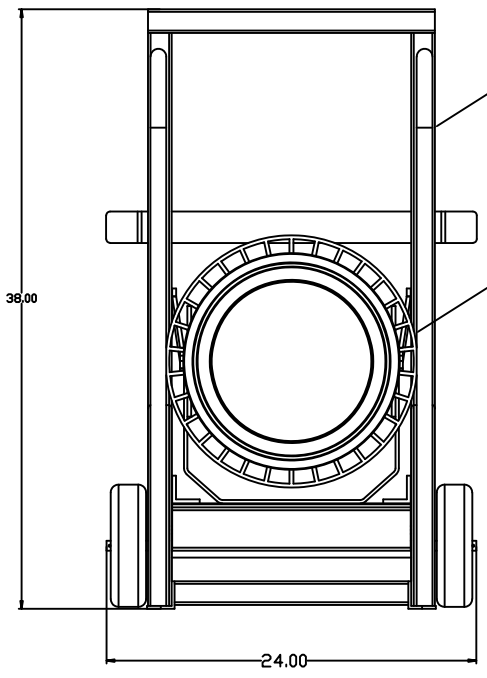


NOTES:

1. LAMP: EXPLOSIONPROOF C1D1 150W LED, 100V - 277V AC 60 HZ.
2. CORD: 100 FT, 14/3 SOOW BLACK
3. PLUG: 1510PW6P (NORMAL SERVICE P/N 1007-XP-150-CART-5156P)
 OR UGP-15231 (XP SERVICE P/N 1007-XP-150-CART-515XP)
4. ELECTRICAL: 125V AC, 1.2A, 60HZ 150W (PLUG RATED)
5. ILLUMINATION: 21000 LUMENS
6. ENVIRONMENTAL: WATERPROOF NEMA 4X, IP66, -20F TO +140F
7. CONSTRUCTED WITH RECOGNIZED AND CERTIFIED COMPONENTS.



ERICSON
 www.ericson.com
 1-800-ERICSON
 12-05-19
 U.S. ONLY
 ALL RIGHTS RESERVED
 CAUTION
 C8020904

| REV | REVISION DESCRIPTION | DATE | BY | CHKD | ECN NO. |
|-----|----------------------|------|----|------|---------|
| A | INITIAL DESIGN | | | | |
| | | | | | |
| | | | | | |
| | | | | | |
| | | | | | |

TOLERANCES
 FRAC. ± 1/64
 .X ± .015
 .XX ± .010
 .XXX ± .005
 ANGLES ± 1°
 UNLESS OTHERWISE SPECIFIED
 DO NOT SCALE
 B SIZE

DWG. APPROVALS DATE REV.

 DRAWN **RWH** 9/25/19
 CHK'D _____

ERICSON
 SAFETY IS OUR STANDARD
 ERICSON MANUFACTURING COMPANY
 1-800-ERICSON • www.ericson.com

| | | |
|--|-------------------|-----------------|
| DWG. TITLE 1007-XP-150-CART WORKLIGHT 100 FT 14/3 SOOW, BLACK PLUG BY SERVICE RATING | | |
| SCALE NTS | PROJ NO. --/-- | SHEET 1 OF 1 |
| DWG. UNIT NO. 1007-XP-150-CART | | REV A |