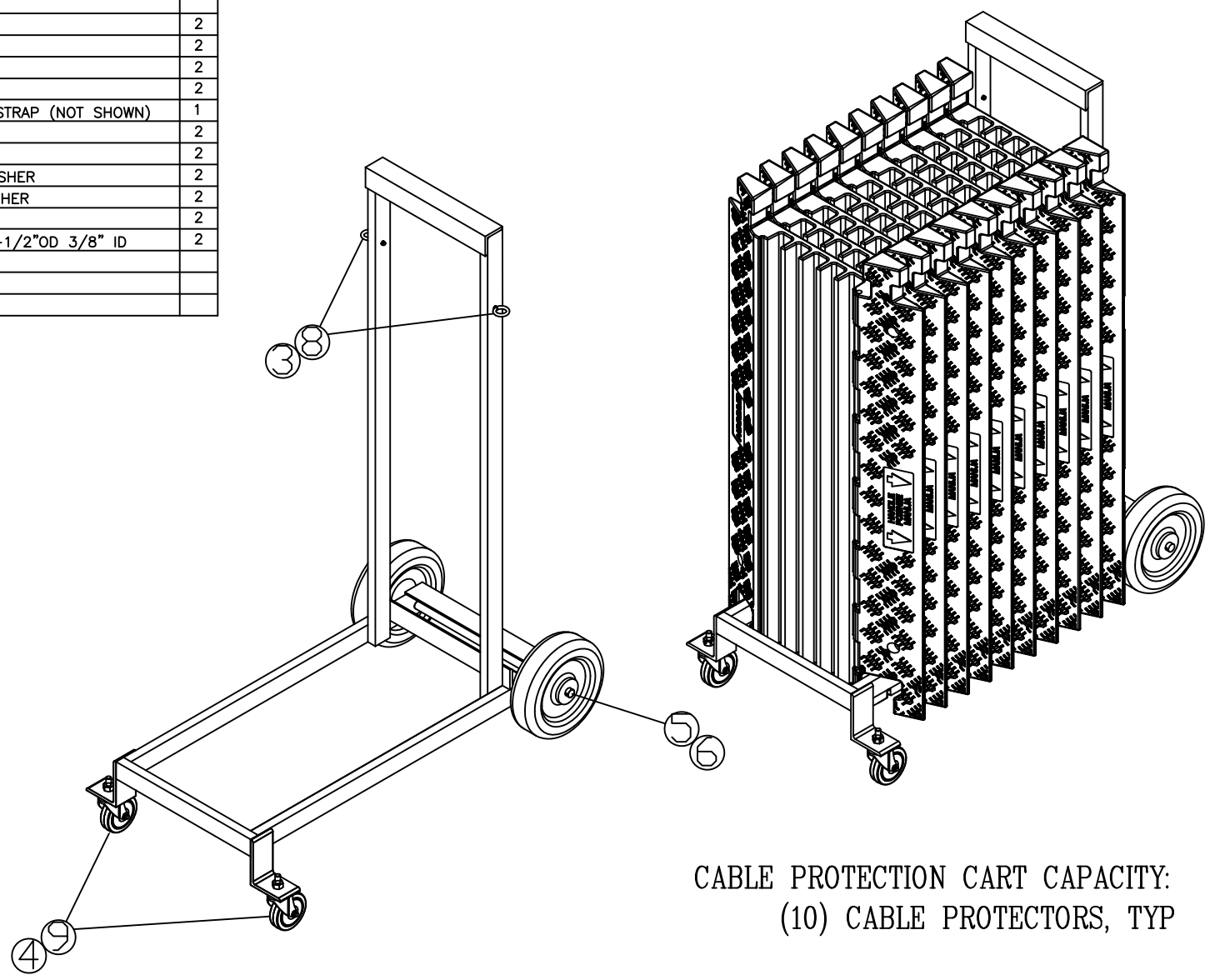


ITEM	PART NUMBER	DESCRIPTION	QTY.
1	B6030040	CABLE PROTECTOR CART WELDED FRAME	1
2			
3	C3020001	NUT, 1/4-20	2
4	C3040073	NUT, 3/8-16	2
5	C7020028	WHEEL RETAINER	2
6	C7020035	WHEEL, 8 X 2-1/2	2
7	C9030965	ELASTIC TIE DOWN STRAP (NOT SHOWN)	1
8	C3040134	EYEBOLT, 14-20	2
9	C7020055	CASTER, 3" SWIVEL	2
10	C3040074	3/8" 18-8 FLT WASHER	2
11	C3040075	3/8" 18-8 LK WASHER	2
12	C3010789	5/8" FLT WASHER	2
13	C3010328	FENDER WASHER 1-1/2"OD 3/8" ID	2



CABLE PROTECTION CART CAPACITY:
(10) CABLE PROTECTORS, TYP

REV	REVISION DESCRIPTION	DATE	BY	CHKD	ECN NO.
A	INITIAL DESIGN				
B	REVISED BILL STRUCTURE	3/7/17	RWH		4251
C	REVISED FRAME DESIGN	10/10/18	RWH		4455

TOLERANCES
 FRAC. ± 1/64
 .X ± .015
 .XX ± .010
 .XXX ± .005
 ANGLES ± 1°
UNLESS OTHERWISE SPECIFIED
DO NOT SCALE
 B SIZE

DWG. APPROVALS	DATE	REV.
_____	_____	_____
_____	_____	_____
_____	_____	_____

DRAWN RWH 8/8/18
 CHK'D _____



ERICSON
SAFETY IS OUR STANDARD

ERICSON MANUFACTURING COMPANY
 1-800-ERICSON • www.ericson.com

DWG. TITLE		
CABLE PROTECTOR CART FINAL ASSEMBLY		
SCALE NTS	PROJ NO. --/--	SHEET 1 OF 1
DWG. UNIT NO.	REV	
TT-CART	C	