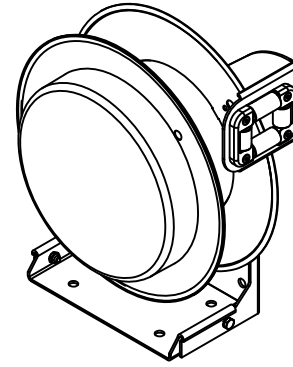
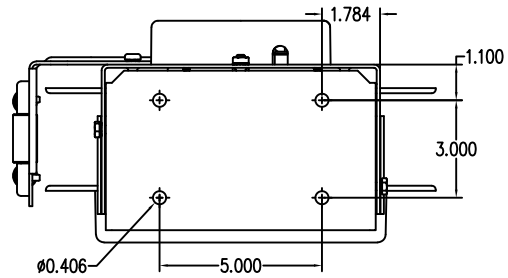
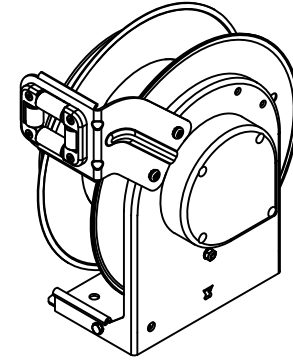
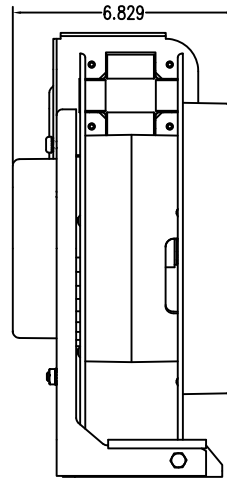
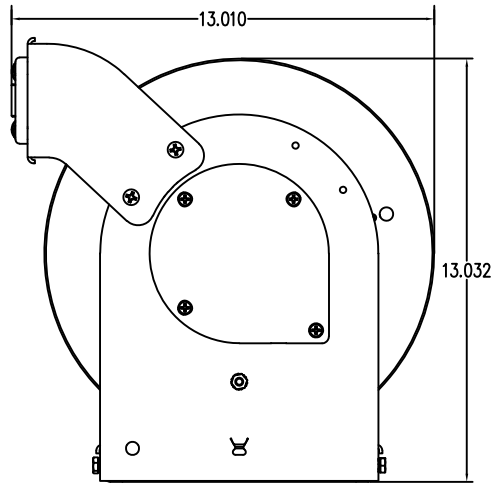


8 7 6 5 4 3 2 1
RESTRICTED

THIS PRINT IS PROPRIETARY AND CONFIDENTIAL AND MUST NOT BE COPIED OR ITS CONTENTS REVEALED TO UNAUTHORIZED PERSONNEL WITHOUT WRITTEN CONSENT OF ERICSON MANUFACTURING CO. IT IS TO BE RETURNED TO ERICSON MFG. UPON REQUEST.



NOTES:

- 1) WHITE POWDER COATED STEEL W/ BLACK NYLON SPOOL COVER
- 2) SEPARATE MOUNTING BASE FOR EASE OF INSTALLATION
- 3) 20A 125V MAX SLIP RING ASSEMBLY
- 4) SUPPLIED WITH 6FT FEEDER CABLE WITH MOLDED NEMA 5-15 OR NEMA 5-20 PLUG FACTORY ATTACHED.
 AWG 12 REELS SUPPLIED WITH 12/3 SJ FEEDER. AWG 16 REELS SUPPLIED WITH AWG 14/3 SJ FEEDER.
- 5) INDOOR RATED
- 6) AVAILABLE WITH BLACK 16/3 SOOW OR 12/3 SJOOW PER AMP RATING. SEE CHART ON PG 2
- 6) cULus LISTED. E59949
- 7) IF GFCI IS FURNISHED, IT IS A MANUAL RESET INLINE STYLE, LOCATED ON THE MOVING END OF THE CABLE.

REV	REVISION DESCRIPTION	DATE	BY	CHKD	ECN NO.
A	INITIAL DESIGN				

TOLERANCES
 FRAC. ± 1/64
 .X ± .015
 .XX ± .010
 .XXX ± .005
 ANGLES ± 1°
 UNLESS OTHERWISE SPECIFIED
 DO NOT SCALE
 B SIZE

DWG. APPROVALS	DATE	REV.

DRAWN JRA 3/1/2019
 CHK'D _____

ERICSON
 SAFETY IS OUR STANDARD

ERICSON MANUFACTURING COMPANY
 1-800-ERICSON • www.ericson.com

DWG. TITLE F3000 FLEX RIG REEL		
SCALE NTS	PROJ NO. --/--	SHEET 1 OF 1
DWG. UNIT NO. F3000 REEL FAMILY		REV A

Part Number	Description	Rating	Rev Level	cULus
F3123-50-F15	REEL, 50FT 12/3 BLUNT 15A	15A 125V 1875W	A	YES
F3123-50-F20	REEL, 50FT 12/3 BLUNT 20A	20A 125V 2500W	A	YES
F3123-50-B15	REEL, 50FT 12/3 6000 BOX 15A NEMA5-15	15A 125V 1875W	A	YES
F3123-50-B20	REEL, 50FT 12/3 6000 BOX 20A NEMA5-20	20A 125V 2500W	A	YES
F3123-50-B15G	REEL, 50FT 12/3 6000 BOX 15A & GFCI NEMA5-15	15A 125V 1875W	A	YES
F3123-50-B20G	REEL, 50FT 12/3 6000 BOX 20A & GFCI NEMA5-20	20A 125V 2500W	A	YES
F3123-50-515	REEL, 50FT 12/3 NEMA 5-15	15A 125V 1875W	A	YES
F3123-50-520	REEL, 50FT 12/3 NEMA 5-20	20A 125V 2500W	A	YES
F3123-50-515G	REEL, 50FT 12/3 NEMA 5-15 & GFCI	15A 125V 1875W	A	YES
F3123-50-520G	REEL, 50FT 12/3 NEMA 5-20 & GFCI	20A 125V 2500W	A	YES
F3123-50-L515	REEL, 50FT 12/3 NEMA L5-15	15A 125V 1875W	A	YES
F3123-50-L520	REEL, 50FT 12/3 NEMA L5-20	20A 125V 2500W	A	YES
F3123-50-L515G	REEL, 50FT 12/3 NEMA L5-15 & GFCI	15A 125V 1875W	A	YES
F3123-50-L520G	REEL, 50FT 12/3 NEMA L5-20 & GFCI	20A 125V 2500W	A	YES
F3123-50-TT15	REEL, 50FT 12/3 TRI-TAP	15A 125V 1875W	A	YES
F3123-50-TT15G	REEL, 50FT 12/3 TRI-TAP & GFCI	15A 125V 1875W	A	YES
F3123-35-F15	REEL, 35FT 12/3 BLUNT 15A	15A 125V 1875W	A	YES
F3123-35-F20	REEL, 35FT 12/3 BLUNT 20A	20A 125V 2500W	A	YES
F3123-35-B15	REEL, 35FT 12/3 6000 BOX 15A NEMA5-15	15A 125V 1875W	A	YES
F3123-35-B20	REEL, 35FT 12/3 6000 BOX 20A NEMA5-20	20A 125V 2500W	A	YES
F3123-35-B15G	REEL, 35FT 12/3 6000 BOX 15A & GFCI NEMA5-15	15A 125V 1875W	A	YES
F3123-35-B20G	REEL, 35FT 12/3 6000 BOX 20A & GFCI NEMA5-20	20A 125V 2500W	A	YES
F3123-35-515	REEL, 35FT 12/3 NEMA 5-15	15A 125V 1875W	A	YES
F3123-35-520	REEL, 35FT 12/3 NEMA 5-20	20A 125V 2500W	A	YES
F3123-35-515G	REEL, 35FT 12/3 NEMA 5-15 & GFCI	15A 125V 1875W	A	YES
F3123-35-520G	REEL, 35FT 12/3 NEMA 5-20 & GFCI	20A 125V 2500W	A	YES
F3123-35-L515	REEL, 35FT 12/3 NEMA L5-15	15A 125V 1875W	A	YES
F3123-35-L520	REEL, 35FT 12/3 NEMA L5-20	20A 125V 2500W	A	YES
F3123-35-L515G	REEL, 35FT 12/3 NEMA L5-15 & GFCI	15A 125V 1875W	A	YES
F3123-35-L520G	REEL, 35FT 12/3 NEMA L5-20 & GFCI	20A 125V 2500W	A	YES
F3123-35-TT15	REEL, 35FT 12/3 TRI-TAP	15A 125V 1875W	A	YES
F3123-35-TT15G	REEL, 35FT 12/3 TRI-TAP & GFCI	15A 125V 1875W	A	YES

PACKAGING NOTES:
 1) FURNISHED WITH ERICSON NAMEPLATE, C8020595 POWER REEL LABEL ON DRUM, AND C8020652 INSTRUCTION BOOKLET.
 2) FURNISHED IN PLAIN BROWN CARTON WITH ERICSON PART NUMBER ON THE OUTSIDE.

REV	REVISION DESCRIPTION	DATE	BY	CHKD	ECH NO.
A	INITIAL DESIGN				

TOLERANCES
 FRAC. ± 1/64
 .X ± .015
 .XX ± .010
 .XXX ± .005
 ANGLES ± 1°
UNLESS OTHERWISE SPECIFIED
DO NOT SCALE
 B SIZE

DWG. APPROVALS	DATE	REV.
_____	_____	_____
_____	_____	_____
_____	_____	_____

DRAWN JRA 3/1/2019
 CHK'D _____



DWG. TITLE F3000 FLEX RIG REEL		
SCALE NTS	PROJ NO. --/--	SHEET 1 OF 1
DWG. UNIT NO. F3000 REEL FAMILY		REV A

Part Number	Description	Rating	Rev Level	cULus
F3163-50-F10	REEL, 50FT 16/3 BLUNT 10A	10A 125V 1250W	A	YES
F3163-50-B10	REEL, 50FT 16/3 6000 BOX 10A NEMA5-15	10A 125V 1250W	A	YES
F3163-50-510	REEL, 50FT 16/3 6000 BOX 10A NEMA5-15	10A 125V 1250W	A	YES
F3163-50-L510	REEL, 50FT 16/3 NEMA L5-15	10A 125V 1250W	A	YES
F3163-50-TT10	REEL, 50FT 16/3 TRI-TAP	10A 125V 1250W	A	YES
F3163-35-F10	REEL, 35FT 16/3 BLUNT 10A	10A 125V 1250W	A	YES
F3163-35-B10	REEL, 35FT 16/3 6000 BOX 10A NEMA5-15	10A 125V 1250W	A	YES
F3163-35-510	REEL, 35FT 16/3 NEMA 5-15	10A 125V 1250W	A	YES
F3163-35-L510	REEL, 35FT 16/3 NEMA L5-15	10A 125V 1250W	A	YES
F3163-35-TT10	REEL, 35FT 16/3 TRI-TAP	10A 125V 1250W	A	YES
F3123-25-F15	REEL, 25FT 12/3 BLUNT 15A	15A 125V 1875W	A	YES
F3123-25-F20	REEL, 25FT 12/3 BLUNT 20A	20A 125V 2500W	A	YES
F3123-25-B15	REEL, 25FT 12/3 6000 BOX 15A NEMA5-15	15A 125V 1875W	A	YES
F3123-25-B20	REEL, 25FT 12/3 6000 BOX 20A NEMA5-20	20A 125V 2500W	A	YES
F3123-25-B15G	REEL, 25FT 12/3 6000 BOX 15A & GFCI NEMA5-15	15A 125V 1875W	A	YES
F3123-25-B20G	REEL, 25FT 12/3 6000 BOX 20A & GFCI NEMA5-20	20A 125V 2500W	A	YES
F3123-25-515	REEL, 25FT 12/3 NEMA 5-15	15A 125V 1875W	A	YES
F3123-25-520	REEL, 25FT 12/3 NEMA 5-20	20A 125V 2500W	A	YES
F3123-25-515G	REEL, 25FT 12/3 NEMA 5-15 & GFCI	15A 125V 1875W	A	YES
F3123-25-520G	REEL, 25FT 12/3 NEMA 5-20 & GFCI	20A 125V 2500W	A	YES
F3123-25-L515	REEL, 25FT 12/3 NEMA L5-15	15A 125V 1875W	A	YES
F3123-25-L520	REEL, 25FT 12/3 NEMA L5-20	20A 125V 2500W	A	YES
F3123-25-L515G	REEL, 25FT 12/3 NEMA L5-15 & GFCI	15A 125V 1875W	A	YES
F3123-25-L520G	REEL, 25FT 12/3 NEMA L5-20 & GFCI	20A 125V 2500W	A	YES
F3123-25-TT15	REEL, 25FT 12/3 TRI-TAP	15A 125V 1875W	A	YES
F3123-25-TT15G	REEL, 25FT 12/3 TRI-TAP & GFCI	15A 125V 1875W	A	YES
F3163-25-F10	REEL, 25FT 16/3 BLUNT 10A	10A 125V 1250W	A	YES
F3163-25-B10	REEL, 25FT 16/3 6000 BOX 10A NEMA5-15	10A 125V 1250W	A	YES
F3163-25-510	REEL, 25FT 16/3 NEMA 5-15	10A 125V 1250W	A	YES
F3163-25-L510	REEL, 25FT 16/3 NEMA L5-15	10A 125V 1250W	A	YES
F3163-25-TT10	REEL, 25FT 16/3 TRI-TAP	10A 125V 1250W	A	YES

REV	REVISION DESCRIPTION	DATE	BY	CHKD	ECH NO.
A	INITIAL DESIGN				

TOLERANCES
 FRAC. ± 1/64
 .X ± .015
 .XX ± .010
 .XXX ± .005
 ANGLES ± 1°
 UNLESS OTHERWISE SPECIFIED
DO NOT SCALE
 B SIZE

DWG. APPROVALS	DATE	REV.
_____	_____	_____
_____	_____	_____
_____	_____	_____

DRAWN JRA 3/1/2019
 CHK'D _____



DWG. TITLE F3000 FLEX RIG REEL		
SCALE NTS	PROJ NO. --/--	SHEET 1 OF 1
DWG. UNIT NO. F3000 REEL FAMILY		REV A