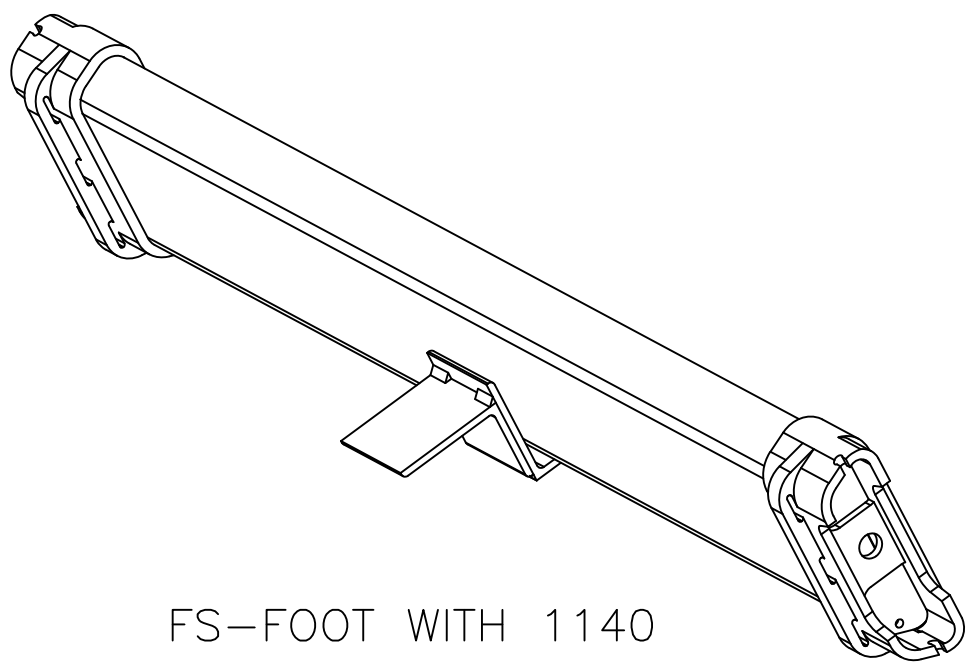
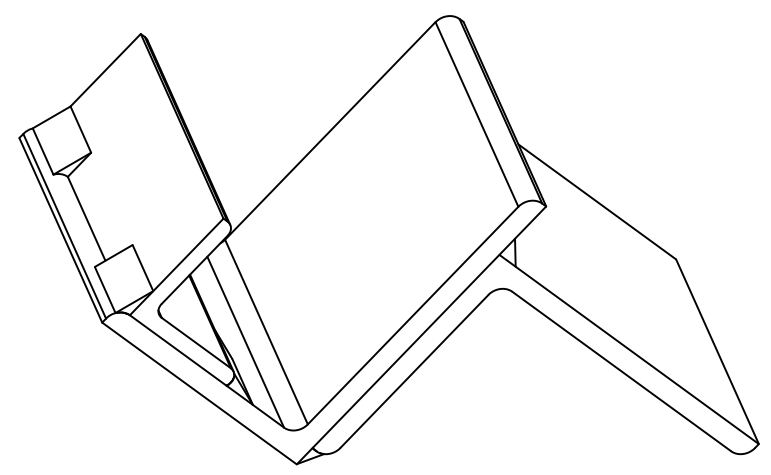


NOTES:

1. WELDED ALUMINUM CONSTRUCTION.
2. FOR USE WITH 1140 AND 1239 WORKLAMPS.
3. FIXED ANGLE, FLOOR LEVEL ILLUMINATION.
4. CAN BE USED SINGLY OR IN PAIRS.
5. LAMP EASILY REMOVABLE FOR RE-ORIENTATION.



FS-FOOT WITH 1140



FS-FOOT

REV	REVISION DESCRIPTION	DATE	BY	CHKD	ECN NO.
A	INITIAL DESIGN				

TOLERANCES
 FRAC. ± 1/64
 .X ± .015
 .XX ± .010
 .XXX ± .005
 ANGLES ± 1°
 UNLESS OTHERWISE SPECIFIED
 DO NOT SCALE
 B SIZE

DWG. APPROVALS	DATE	REV.

DRAWN RWH 5/21/20
 CHK'D _____



ERICSON
 SAFETY IS OUR STANDARD

ERICSON MANUFACTURING COMPANY
 1-800-ERICSON • www.ericson.com

DWG. TITLE		
WORKLAMP ACCESSORIES		
FS-FOOT FLOOR STAND		
FOR 1140 AND 1239 WORKLAMPS		
SCALE NTS	PROJ NO. --/--	SHEET 1 OF 1
DWG. UNIT NO.		REV
FS-FOOT		A