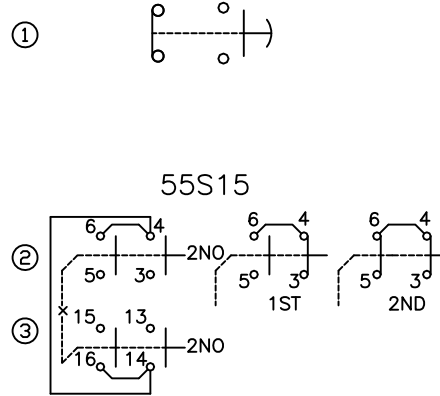
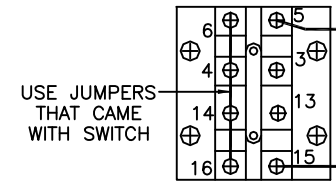
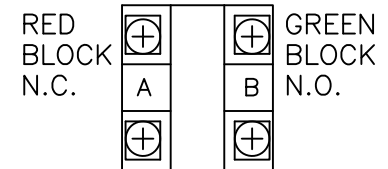


SWITCH SCHEMATIC



SWITCH ASSEMBLY VIEWED FROM BACK SIDE



NOTES:

1. SW1 ESTOP (PUSHLOCK, TWIST TO RELEASE) 1 MAINTAINED N.C.&N.O. CONTACT
2. SW2&3 ARE MECHANICALLY INTERLOCKED, 2 DUAL SPEED MOMENTARY N.O. CONTACT EACH. TYPE 55S15.
3. CONTACTS RATED 5A @ 120 OR 250VAC MAX, 2A @ 24VDC, .4A @ 120VDC.
4. YELLOW HIGH IMPACT ENCLOSURE, STANDARD CABLE ENTRY AND HOUSING DEPTH.
5. UL LISTED, CE MARKED, NEMA4X RATED AS ASSEMBLY

REV	REVISION DESCRIPTION	DATE	BY	CHKD	ECN NO.
A	INITIAL DESIGN	12/11/19	FWK		

TOLERANCES
 FRAC. ± 1/64
 .X ± .015
 .XX ± .010
 .XXX ± .005
 ANGLES ± 1°
UNLESS OTHERWISE SPECIFIED
DO NOT SCALE
 B SIZE

DWG. APPROVALS	DATE	REV.

DRAWN FWK 12/11/19
 CHK'D _____

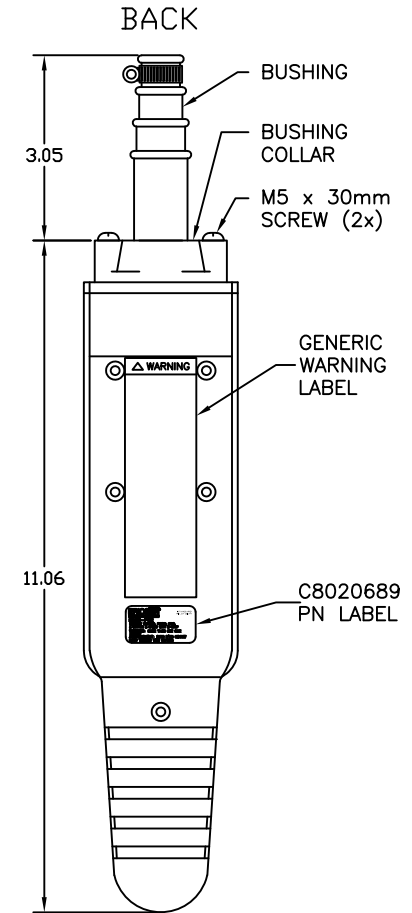
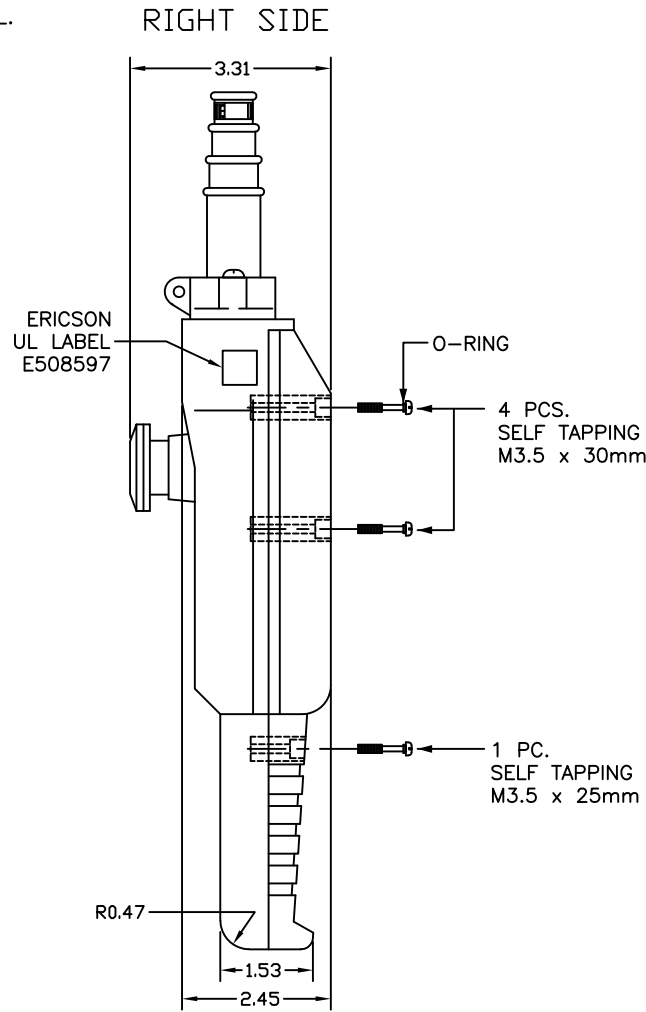
ERICSON
 SAFETY IS OUR STANDARD

ERICSON MANUFACTURING COMPANY
 1-800-ERICSON • www.ericson.com

DWG. TITLE		
5500 SERIES PENDANTS PISTOL GRIP PENDANT WITH E-STOP TWO BUTTON - TWO SPEED		
SCALE NTS	PROJ NO. --/--	SHEET 1 OF 2
DWG. UNIT NO. 5503-PG2		REV A

NOTES:

1. SHIPPED WITH POLYBAG CONTAINING RING CRIMP TERMINALS.
2. SHIPPED WITH C8020398B INSTALLATION & OPERATION MANUAL.
3. SHIPPED WITH BUSHING – CABLE RANGE .32IN TO .63IN
4. C1010082 MAIN PENDANT UNIT.
5. POLYBAGGED WITH C8020444 LABEL.



REV	REVISION DESCRIPTION	DATE	BY	CHKD	ECN NO.

TOLERANCES

FRAC. ± 1/64

.X ± .015

.XX ± .010

.XXX ± .005

ANGLES ± 1°

UNLESS OTHERWISE SPECIFIED

DO NOT SCALE

B SIZE

DWG. APPROVALS	DATE	REV.

DRAWN FWK 12/11/19

CHK'D

ERICSON

SAFETY IS OUR STANDARD

ERICSON MANUFACTURING COMPANY

1-800-ERICSON • www.ericson.com

DWG. TITLE		
5500 SERIES PENDANTS		
PISTOL GRIP PENDANT WITH E-STOP		
TWO BUTTON - TWO SPEED		
SCALE NTS	PROJ NO. --/--	SHEET 2 OF 2
DWG. UNIT NO.		REV
5503-PG2		A