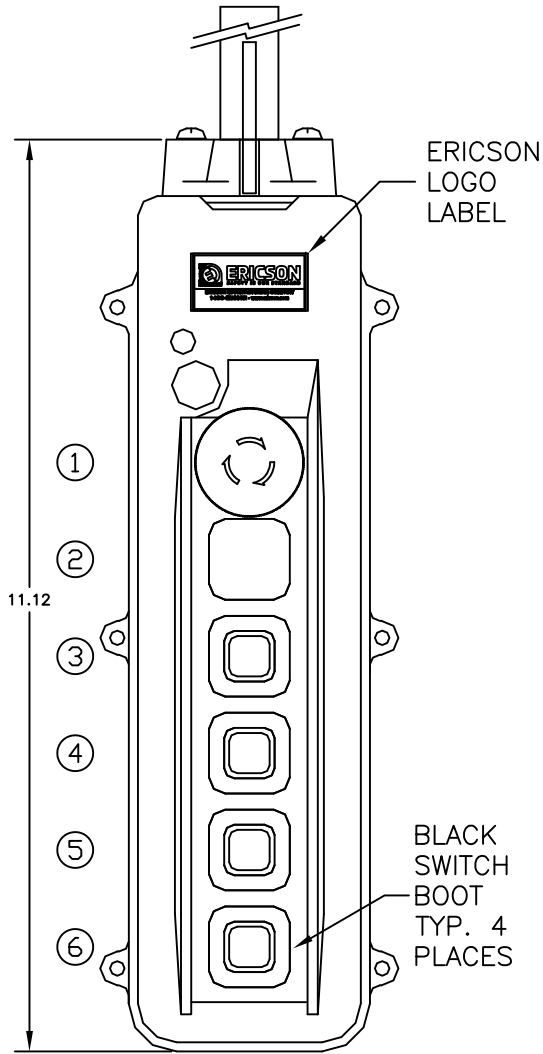
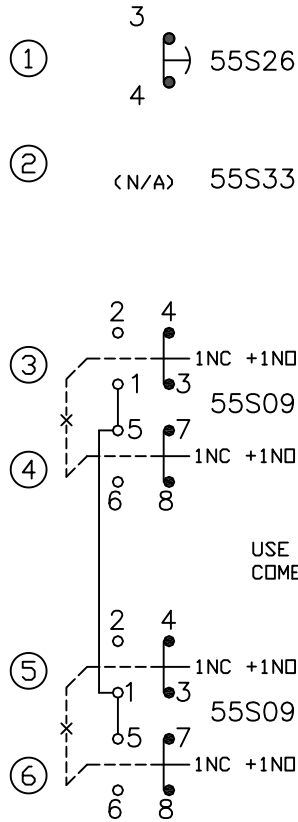


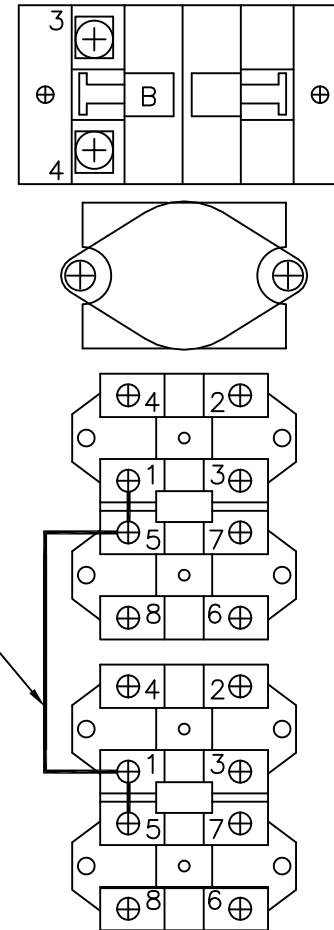
- NOTES:**
1. SW1 ESTOP (PUSHLOCK, TWIST TO RELEASE) 1 MAINTAINED N.C. CONTACT TYPE 55S26, SW2 - N/A
 2. SW3&4, SW5&6 ARE MECHANICALLY INTERLOCKED. 1 SINGLE SPEED MOMENTARY N.O.&N.C. CONTACT EACH. TYPE 55S09.
 3. CONTACTS RATED 5A @ 120 DR 250VAC MAX, 2A @ 24VDC, .4A @ 120VDC.
 4. YELLOW HIGH IMPACT ENCLOSURE, STANDARD CABLE ENTRY AND HOUSING DEPTH.
 5. UL LISTED, NEMA4X RATED AS ASSEMBLY



SWITCH SCHEMATIC



SWITCH ASSEMBLY VIEWED FROM BACK SIDE



REV	REVISION DESCRIPTION	DATE	BY	CHKD	ECH NO.
A	INITIAL DESIGN	12/09/19	FWK		

TOLERANCES
 FRAC. ± 1/64
 .X ± .015
 .XX ± .010
 .XXX ± .005
 ANGLES ± 1°
 UNLESS OTHERWISE SPECIFIED
DO NOT SCALE
 B SIZE

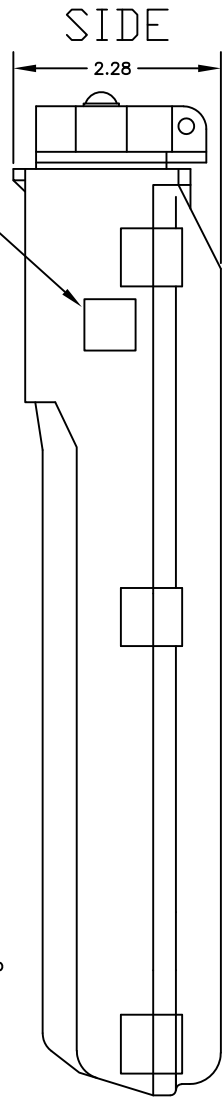
DWG. APPROVALS DATE REV.

DRAWN **FWK** 12/09/19
 CHK'D _____

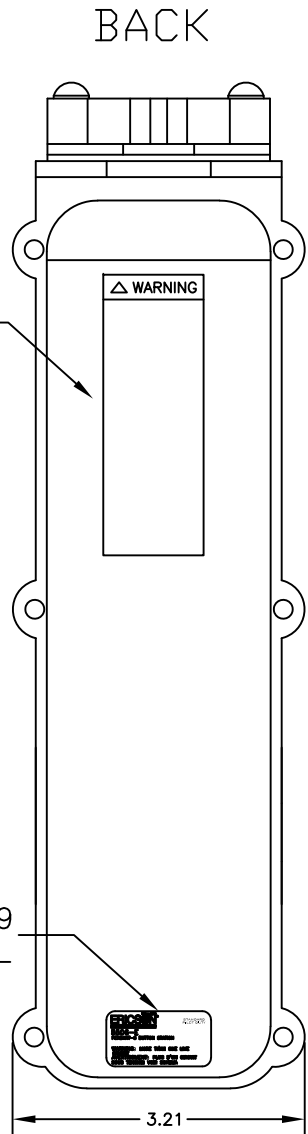
ERICSON
 SAFETY IS OUR STANDARD

ERICSON MANUFACTURING COMPANY
 1-800-ERICSON • www.ericson.com

DWG. TITLE		
5500 SERIES PENDANTS		
6 POSITION PENDANT WITH E-STOP		
4NO & 5NC CONTACTS		
SCALE NTS	PROJ NO. --/--	SHEET 1 OF 2
DWG. UNIT NO.		REV
5506-E		A



ERICSON
 UL LABEL
 E508597



GENERIC
 WARNING
 LABEL

C8020689
 PN LABEL

- NOTES:**
1. SHIPPED WITH POLYBAG CONTAINING RING CRIMP TERMINALS AND LS1 BUTTON LEGEND SHEET
 2. SHIPPED WITH C8020398B INSTALLATION & OPERATION MANUAL.
 3. SHIPPED WITH 2 PIECE BUSHING KIT 55CG3
 4. C1010240 MAIN PENDANT UNIT.
 5. POLYBAGGED WITH C8020444 LABEL.

REV	REVISION DESCRIPTION	DATE	BY	CHKD	ECN NO.

TOLERANCES
 FRAC. ± 1/64
 .X ± .015
 .XX ± .010
 .XXX ± .005
 ANGLES ± 1°
 UNLESS OTHERWISE SPECIFIED
DO NOT SCALE
 B SIZE

DWG. APPROVALS	DATE	REV.

DRAWN FWK 12/09/19
 CHK'D _____

ERICSON
 SAFETY IS OUR STANDARD

ERICSON MANUFACTURING COMPANY
 1-800-ERICSON • www.ericson.com

DWG. TITLE		
5500 SERIES PENDANTS 6 POSITION PENDANT WITH E-STOP 4NO & 5NC CONTACTS		
SCALE NTS	PROJ NO. --/--	SHEET 2 OF 2
DWG. UNIT NO. 5506-E		REV A