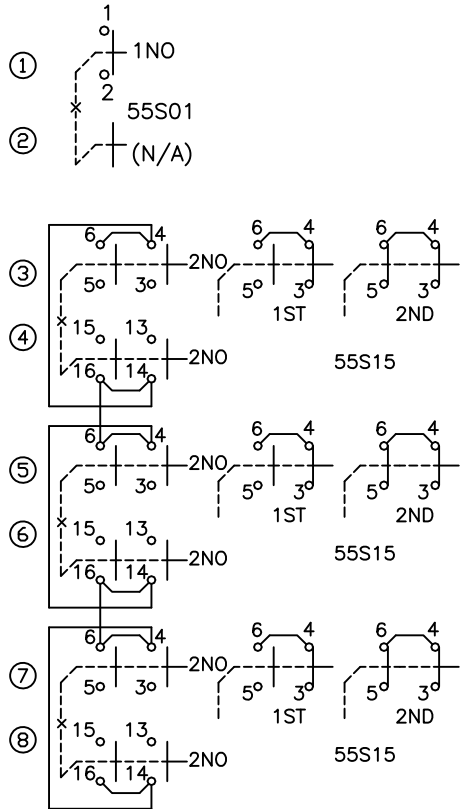
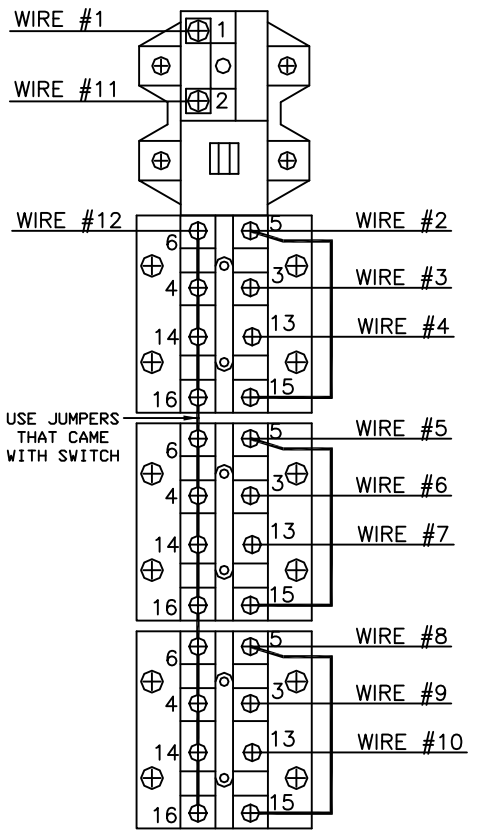


SWITCH SCHEMATIC



SWITCH ASSEMBLY VIEWED FROM BACK SIDE



- NOTES:**
- SW1&2 ARE MECHANICALLY INTERLOCKED. 1 MAINTAINED N.O. CONTACT SW1, MOMENTARY SW2, TYPE 55S01.
 - SW3&4, SW5&6 & SW7&8 ARE MECHANICALLY INTERLOCKED. 2 DUAL SPEED MOMENTARY N.O. CONTACT EACH. TYPE 55S15.
 - CONTACTS RATED 5A @ 120 OR 250VAC MAX, 2A @ 24VDC, .4A @ 120VDC.
 - YELLOW HIGH IMPACT ENCLOSURE, STANDARD CABLE ENTRY AND HOUSING DEPTH..
 - UL LISTED, NEMA4X RATED AS ASSEMBLY

REV	REVISION DESCRIPTION	DATE	BY	CHKD	ECN NO.
A	INITIAL DESIGN	12/09/19	FWK		

TOLERANCES
 FRAC. ± 1/64
 .X ± .015
 .XX ± .010
 .XXX ± .005
 ANGLES ± 1°
 UNLESS OTHERWISE SPECIFIED
 DO NOT SCALE
 B SIZE

DWG. APPROVALS	DATE	REV.

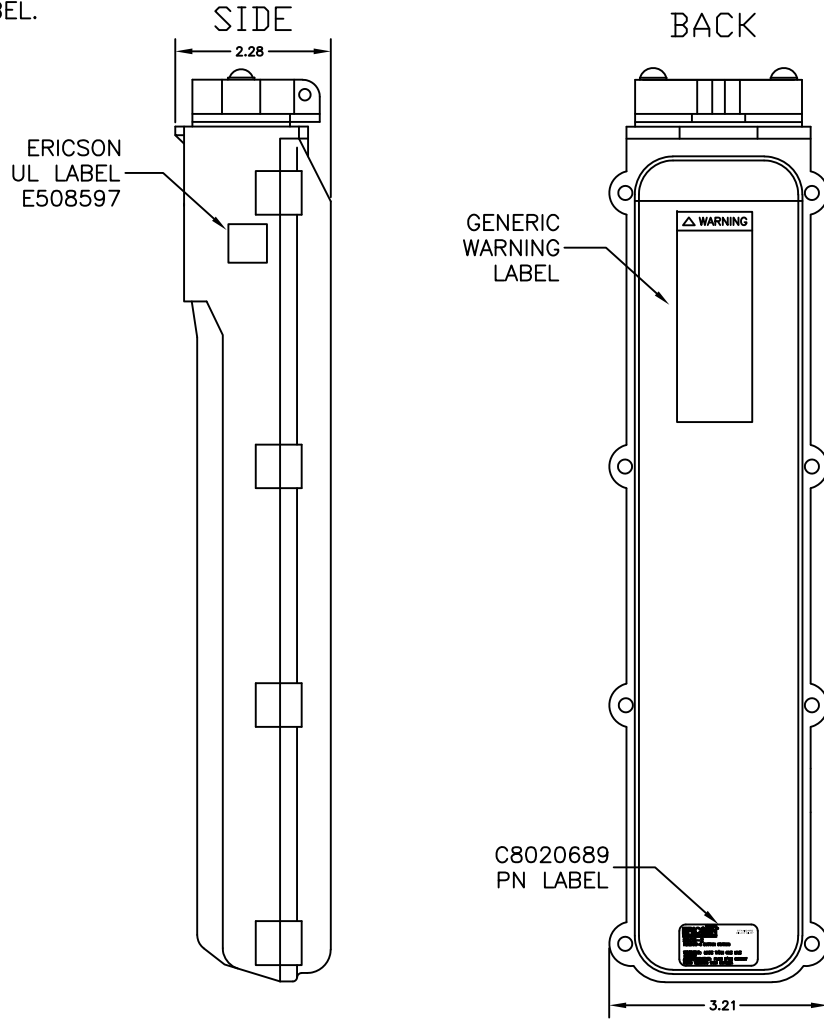
DRAWN FWK 12/09/19
 CHK'D _____

ERICSON
 SAFETY IS OUR STANDARD

ERICSON MANUFACTURING COMPANY
 1-800-ERICSON • www.ericson.com

DWG. TITLE		
5500 SERIES PENDANTS 8 POSITION PENDANT TWO SPEED SWITCHES		
SCALE NTS	PROJ NO. --/--	SHEET 1 OF 2
DWG. UNIT NO.	5508-2	REV A

- NOTES:**
1. SHIPPED WITH POLYBAG CONTAINING RING CRIMP TERMINALS AND LS1 BUTTON LEGEND SHEET
 2. SHIPPED WITH C8020398B INSTALLATION & OPERATION MANUAL.
 3. SHIPPED WITH 2 PIECE BUSHING KIT 55CG3
 4. C1010008-2 MAIN PENDANT UNIT.
 5. POLYBAGGED WITH C8020444 LABEL.



REV	REVISION DESCRIPTION	DATE	BY	CHKD	ECN NO.

TOLERANCES
 FRAC. ± 1/64
 .X ± .015
 .XX ± .010
 .XXX ± .005
 ANGLES ± 1°
 UNLESS OTHERWISE SPECIFIED
DO NOT SCALE
 B SIZE

DWG. APPROVALS DATE REV.
 _____ _____ _____
 _____ _____ _____
 _____ _____ _____
 DRAWN FWK 12/09/19
 CHK'D _____



ERICSON
 SAFETY IS OUR STANDARD

ERICSON MANUFACTURING COMPANY
 1-800-ERICSON • www.ericson.com

DWG. TITLE		
5500 SERIES PENDANTS 8 POSITION PENDANT TWO SPEED SWITCHES		
SCALE NTS	PROJ NO. --/--	SHEET 2 OF 2
DWG. UNIT NO. 5508-2		REV A