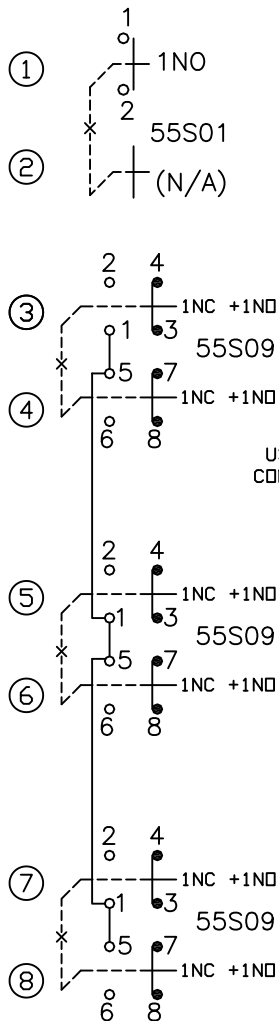
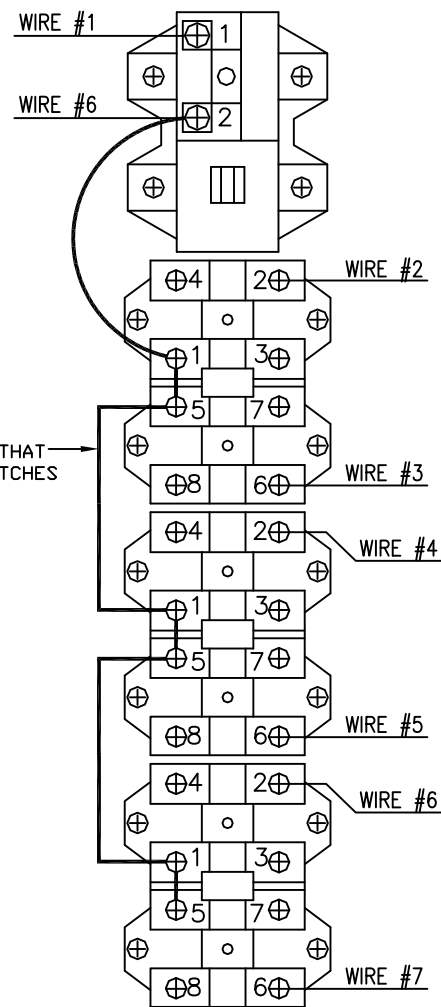


SWITCH SCHEMATIC



SWITCH ASSEMBLY VIEWED FROM BACK SIDE



USE JUMPERS THAT COME WITH SWITCHES

NOTES:

1. SW1 & SW2 ARE MECHANICALLY INTERLOCKED. 1 MAINTAINED N.O. CONTACT SW1, MOMENTARY SW2, TYPE 55S01.
2. SW3&SW4, SW5&6, SW7&8 ARE MECHANICALLY INTERLOCKED. 1 SINGLE SPEED MOMENTARY N.O.&N.C. CONTACT EACH. TYPE 55S09.
3. CONTACTS RATED 5A @ 120 OR 250VAC MAX, 2A @ 24VDC, .4A @ 120VDC.
4. YELLOW HIGH IMPACT ENCLOSURE, STANDARD CABLE ENTRY AND HOUSING DEPTH.
5. UL LISTED, NEMA4X RATED AS ASSEMBLY

REV	REVISION DESCRIPTION	DATE	BY	CHKD	ECN NO.
A	INITIAL DESIGN	12/09/19	FWK		

TOLERANCES
FRAC. ± 1/64
.X ± .015
.XX ± .010
.XXX ± .005
ANGLES ± 1°
UNLESS OTHERWISE SPECIFIED
DO NOT SCALE
B SIZE

DWG. APPROVALS	DATE	REV.

DRAWN FWK 12/09/19  
 CHK'D \_\_\_\_\_

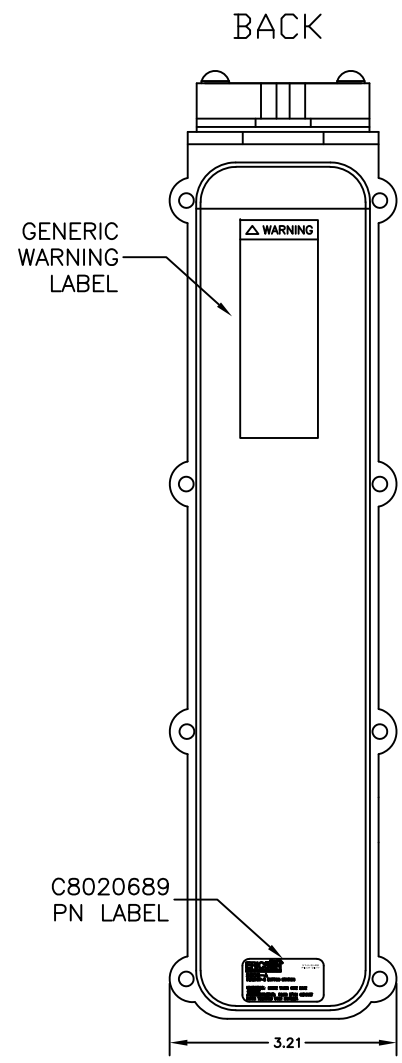
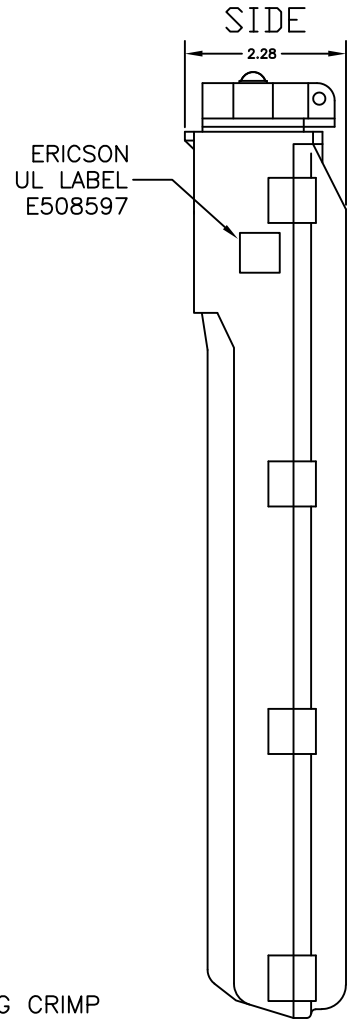


ERICSON MANUFACTURING COMPANY  
 1-800-ERICSON • www.ericson.com

DWG. TITLE  
 5500 SERIES PENDANTS  
 8 POSITION PENDANT  
 7NO & 6NC CONTACTS

SCALE NTS PROJ NO. ---/--- SHEET 1 OF 2

DWG. UNIT NO. 5508-A REV A



- NOTES:**
1. SHIPPED WITH POLYBAG CONTAINING RING CRIMP TERMINALS AND LS1 BUTTON LEGEND SHEET
  2. SHIPPED WITH C8020398B INSTALLATION & OPERATION MANUAL.
  3. SHIPPED WITH 2 PIECE BUSHING KIT 55CG3
  4. C1010233 MAIN PENDANT UNIT.
  5. POLYBAGGED WITH C8020444 LABEL.

REV	REVISION DESCRIPTION	DATE	BY	CHKD	ECN NO.

**TOLERANCES**  
 FRAC. ± 1/64  
 .X ± .015  
 .XX ± .010  
 .XXX ± .005  
 ANGLES ± 1°  
 UNLESS OTHERWISE SPECIFIED  
**DO NOT SCALE**  
 B SIZE

DWG. APPROVALS	DATE	REV.

DRAWN FWK 12/09/19  
 CHK'D

**ERICSON**  
 SAFETY IS OUR STANDARD

ERICSON MANUFACTURING COMPANY  
 1-800-ERICSON • www.ericson.com

DWG. TITLE		
5500 SERIES PENDANTS 8 POSITION PENDANT 7NO & 6NC CONTACTS		
SCALE NTS	PROJ NO. --/--	SHEET 2 OF 2
DWG. UNIT NO. 5508-A		REV A