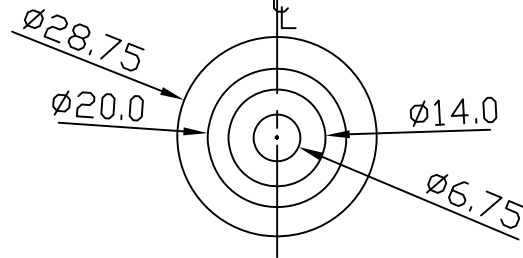
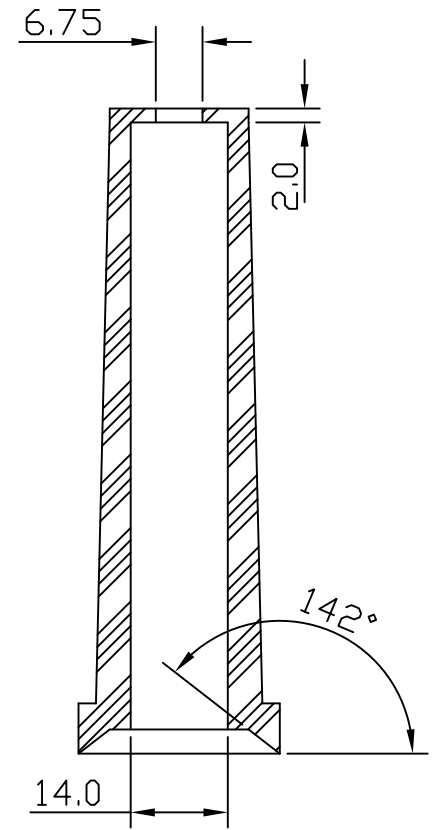
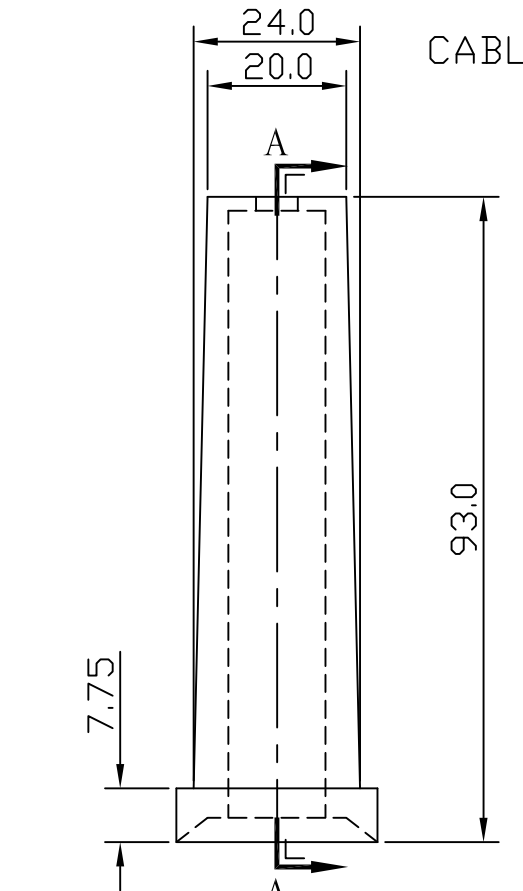
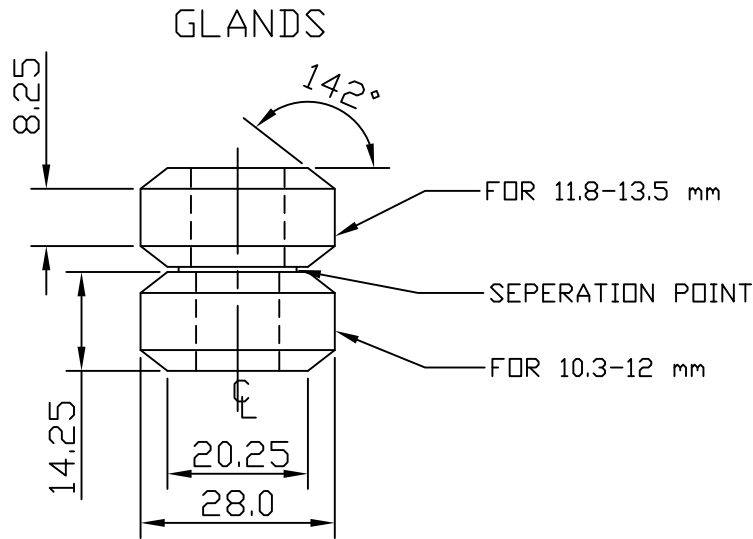


RESTRICTED

THIS PRINT IS PROPRIETARY AND CONFIDENTIAL AND MUST NOT BE COPIED OR ITS CONTENTS REVEALED TO UNAUTHORIZED PERSONNEL WITHOUT WRITTEN CONSENT OF ERICSON MANUFACTURING CO. IT IS TO BE RETURNED TO ERICSON MFG. UPON REQUEST.



BOTTOM

CROSS SECTION VIEW A-A

NOTES:

1. ALL DIMENSIONS ARE IN METRIC (mm)
2. DRAWING NOT FOR MANUFACTURE
3. MATERIAL USED: RUBBER NBR
4. METRIC TOLERANCES
 .X = ±1.524 mm
 .XX = ±.762 mm
 .XXX = ±.254 mm
5. BUSHING AND GLANDS KITTED IN POLYBAG, P/N ON BAG

REV	REVISION DESCRIPTION	DATE	BY	CHKD	ECN NO.
A	INITIAL DESIGN	11/11/19	FWK		

TOLERANCES
 FRAC. ±1/64
 .X ±.015
 .XX ±.010
 .XXX ±.005
 ANGLES ±1°
UNLESS OTHERWISE SPECIFIED
DO NOT SCALE
 B SIZE

DWG. APPROVALS DATE REV.

 DRAWN FWK 11/11/19
 CHK'D _____

ERICSON
 SAFETY IS OUR STANDARD
 ERICSON MANUFACTURING COMPANY
 1-800-ERICSON • www.ericson.com

DWG. TITLE		
5500 SERIES PENDANTS CABLE BUSHING AND GLANDS 10.3 - 13.5 mm		
SCALE NTS	PROJ NO. --/--	SHEET 1 OF 1
DWG. UNIT NO. 55CG2		REV A