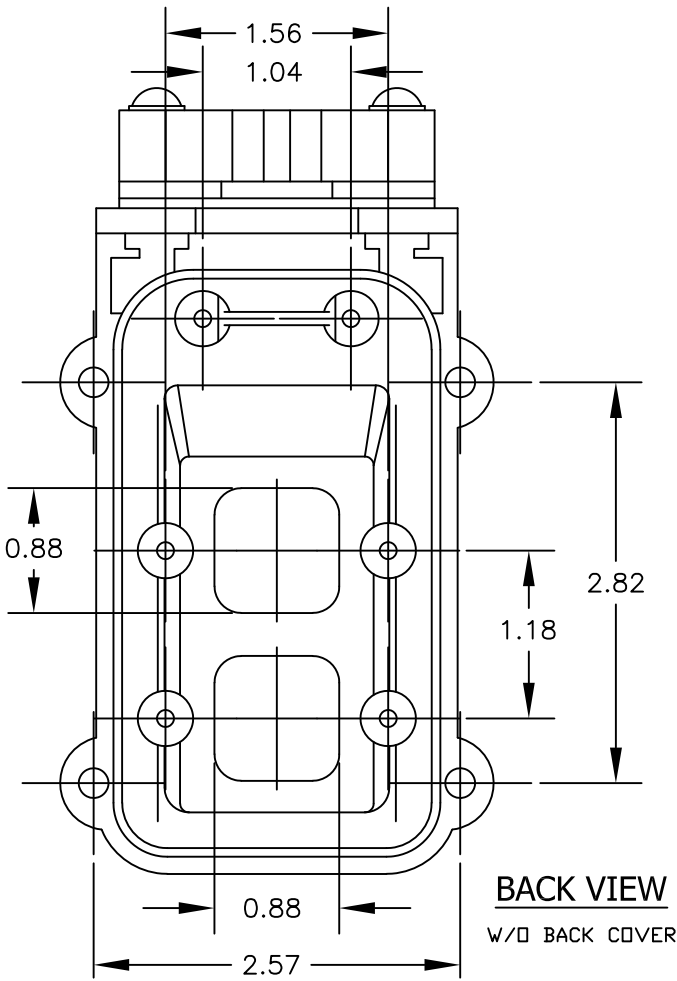
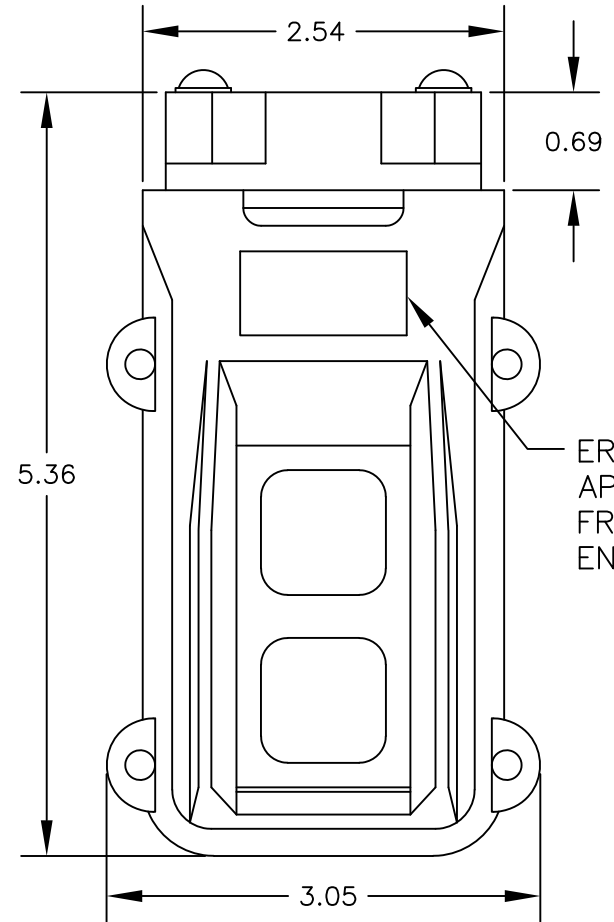
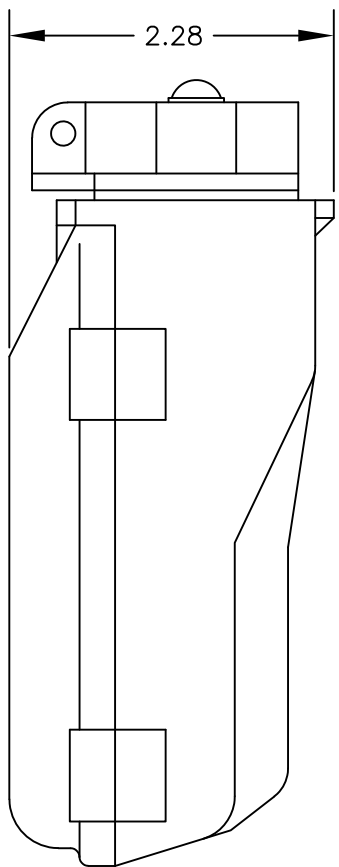


- NOTES:**  
 1. ABS RESIN PA-765A, YELLOW  
 2. HOUSING TO INCLUDE (KITTED)  
     A. 55BB - BOOTS (BLACK) (2)  
     B. 55CG1 - 7.5-10.5mm BUSHING & GLANDS (1)  
     C. 55LC - SWITCH COVER (CHIPS) (2)  
     D. LS1 - BUTTON LEGEND SHEET (1)  
     E. CABLE CLAMP (STEEL) W/SCREWS (2)  
     F. S-HOOK W/HARDWARE (1)  
 3. POLYBAGGED & LABELLED (C8020443) W/PART NUMBER



**BACK VIEW**  
 W/D BACK COVER



ERICSON LOGO  
 APPLIED TO  
 FRONT OF  
 ENCLOSURE

REV	REVISION DESCRIPTION	DATE	BY	CHKD	ECN NO.
A	INITIAL DESIGN	11/18/19	FWK		

**TOLERANCES**  
 FRAC. ± 1/64  
 .X ± .015  
 .XX ± .010  
 .XXX ± .005  
 ANGLES ± 1°  
 UNLESS OTHERWISE SPECIFIED  
 DO NOT SCALE  
 B SIZE

DWG. APPROVALS	DATE	REV.

DRAWN FWK 11/18/19  
 CHK'D

**ERICSON**  
 SAFETY IS OUR STANDARD

ERICSON MANUFACTURING COMPANY  
 1-800-ERICSON • www.ericson.com

DWG. TITLE		
5500 SERIES PENDANTS ENCLOSURE - 2 BUTTON		
SCALE NTS	PROJ NO. --/--	SHEET 1 OF 1
DWG. UNIT NO. 55EN02		REV A