

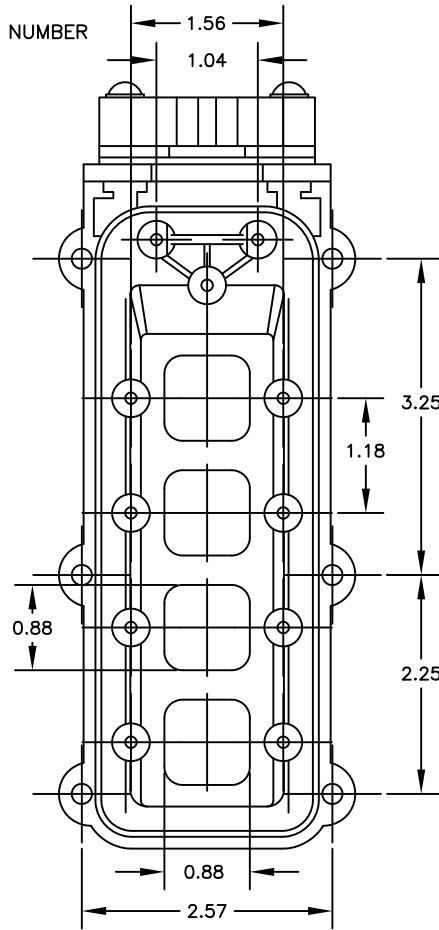
8 7 6 5 4 3 2 1

**RESTRICTED**

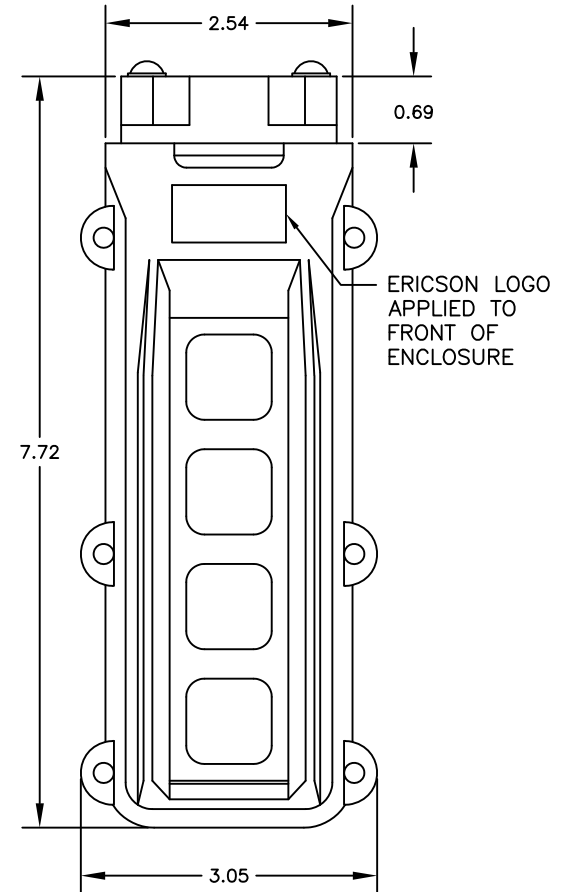
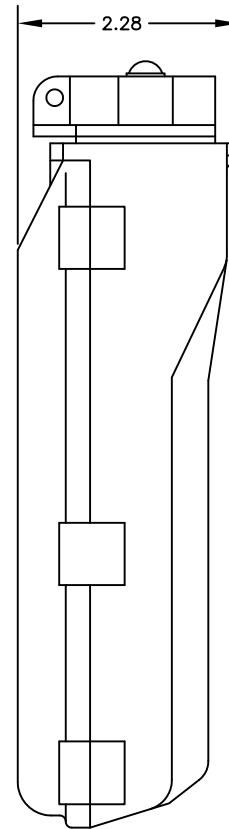
THIS PRINT IS PROPRIETARY AND CONFIDENTIAL AND MUST NOT BE COPIED OR ITS CONTENTS REVEALED TO UNAUTHORIZED PERSONNEL WITHOUT WRITTEN CONSENT OF ERICSON MANUFACTURING CO. IT IS TO BE RETURNED TO ERICSON MFG. UPON REQUEST.

**NOTES:**

1. ABS RESIN PA-765A, YELLOW
2. HOUSING TO INCLUDE (KITTED)
  - A. 55BB - BOOTS (BLACK) (4)
  - B. 55CG2 - 10.3-13.5mm BUSHING & GLANDS (1)
  - C. 55LC - SWITCH COVER (CHIPS) (4)
  - D. LS1 - BUTTON LEGEND SHEET (1)
  - E. CABLE CLAMP (STEEL) W/SCREWS (2)
  - F. S-HOOK W/HARDWARE (1)
3. POLYBAGGED & LABELLED (C8020443) W/PART NUMBER



**BACK VIEW**  
W/D BACK COVER



REV	REVISION DESCRIPTION	DATE	BY	CHKD	ECH NO.
A	INITIAL DESIGN	11/18/19	FWK		

**TOLERANCES**  
 FRAC. ± 1/64  
 .X ± .015  
 .XX ± .010  
 .XXX ± .005  
 ANGLES ± 1°  
 UNLESS OTHERWISE SPECIFIED  
 DO NOT SCALE  
 B SIZE

DWG. APPROVALS      DATE      REV.

\_\_\_\_\_  
 \_\_\_\_\_

DRAWN FWK      11/18/19

CHK'D \_\_\_\_\_



DWG. TITLE		
5500 SERIES PENDANTS ENCLOSURE - 4 BUTTON		
SCALE NTS	PROJ NO. --/--	SHEET 1 OF 1
DWG. UNIT NO. 55EN04		REV A