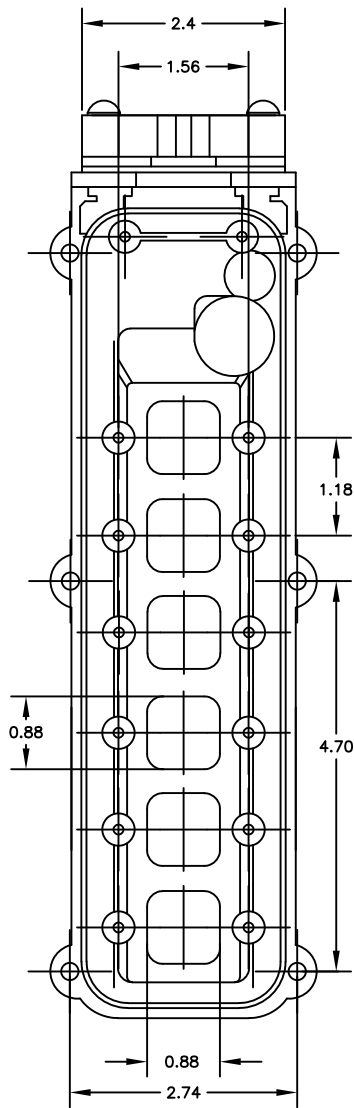


8 7 6 5 4 3 2 1
RESTRICTED

THIS PRINT IS PROPRIETARY AND CONFIDENTIAL AND MUST NOT BE COPIED OR ITS CONTENTS REVEALED TO UNAUTHORIZED PERSONNEL WITHOUT WRITTEN CONSENT OF ERICSON MANUFACTURING CO. IT IS TO BE RETURNED TO ERICSON MFG. UPON REQUEST.

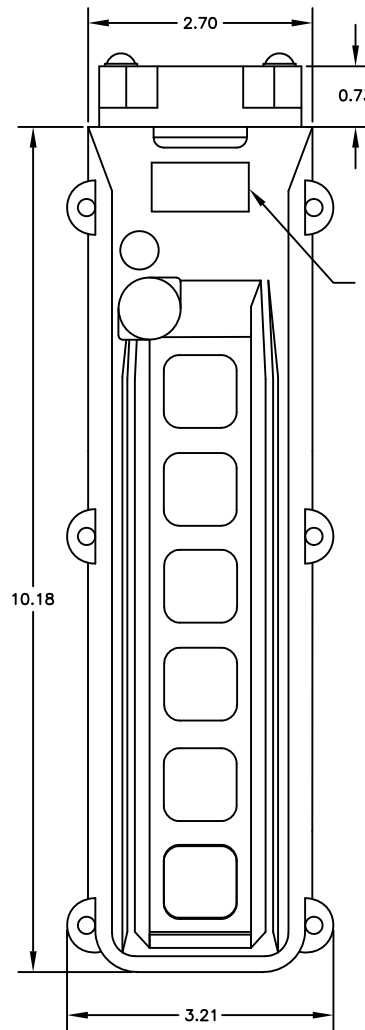
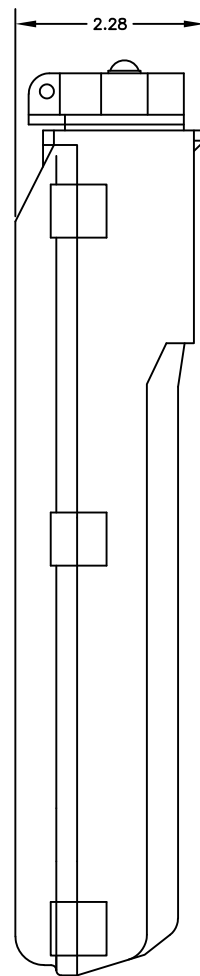
NOTES:

- 1. ABS RESIN PA-765A, YELLOW
- 2. HOUSING TO INCLUDE (KITTED)
 - A. 55BB - BOOTS (BLACK) (6)
 - B. 55CG3 - 13.3-16.5mm BUSHING & GLANDS (1)
 - C. 55LC - SWITCH COVER (CHIPS) (6)
 - D. LS1 - BUTTON LEGEND SHEET (1)
 - E. CABLE CLAMP (STEEL) W/SCREWS (2)
 - F. S-HOOK W/HARDWARE (1)
- 3. POLYBAGGED & LABELLED (C8020443) W/PART NUMBER



BACK VIEW

W/O BACK COVER



ERICSON LOGO
APPLIED TO
FRONT OF
ENCLOSURE

REV	REVISION DESCRIPTION	DATE	BY	CHKD	ECN NO.
A	INITIAL DESIGN	11/18/19	FWK		

TOLERANCES
FRAC. ± 1/64
.X ± .015
.XX ± .010
.XXX ± .005
ANGLES ± 1°
UNLESS OTHERWISE SPECIFIED
DO NOT SCALE
B SIZE

DWG. APPROVALS	DATE	REV.

DRAWN FWK 11/18/19
CHK'D



ERICSON
SAFETY IS OUR STANDARD

ERICSON MANUFACTURING COMPANY
1-800-ERICSON • www.ericson.com

DWG. TITLE
5500 SERIES PENDANTS
ENCLOSURE - 6 BUTTON

SCALE NTS	PROJ NO. --/--	SHEET 1 OF 1
DWG. UNIT NO. 55EN06		REV A