

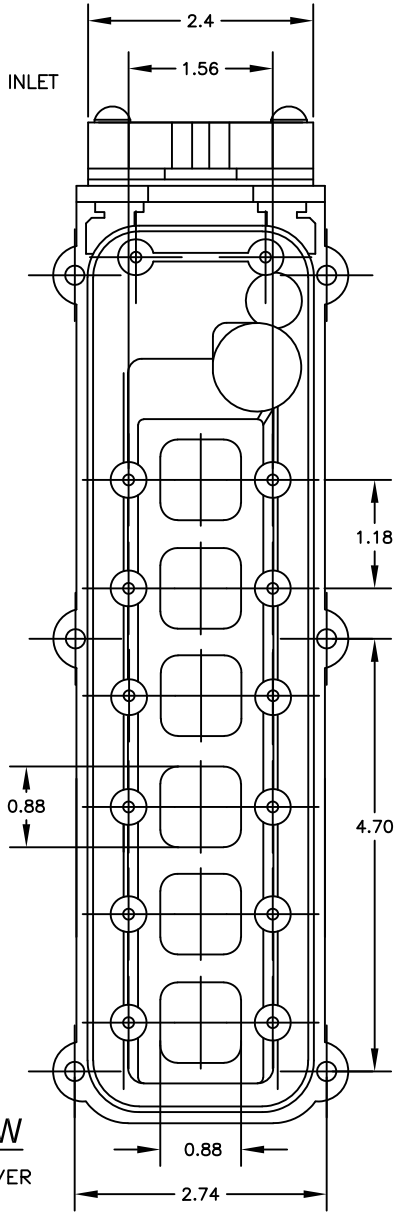
8 7 6 5 4 3 2 1

RESTRICTED

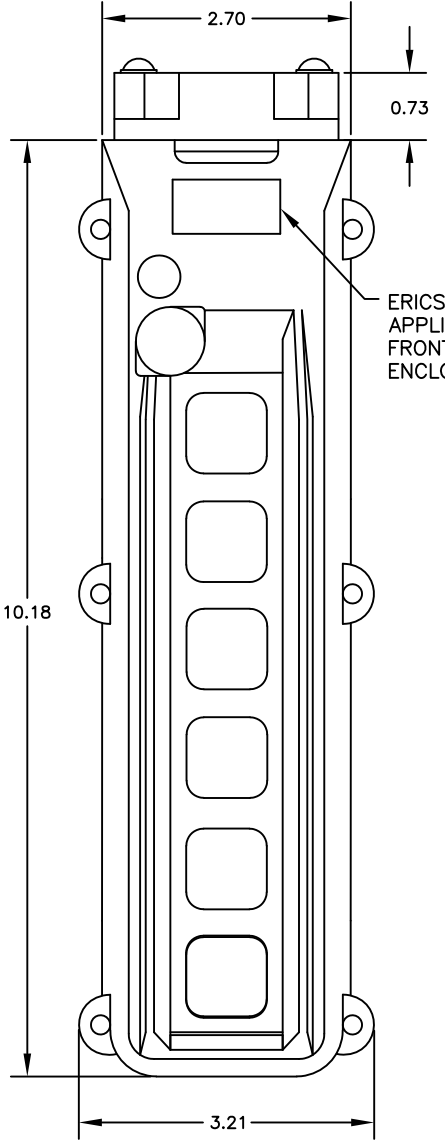
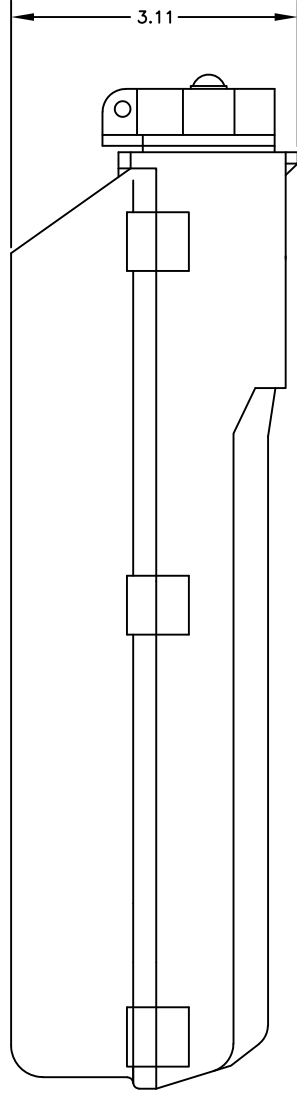
THIS PRINT IS PROPRIETARY AND CONFIDENTIAL AND MUST NOT BE COPIED OR ITS CONTENTS REVEALED TO UNAUTHORIZED PERSONNEL WITHOUT WRITTEN CONSENT OF ERICSON MANUFACTURING CO. IT IS TO BE RETURNED TO ERICSON MFG. UPON REQUEST.

NOTES:

1. ABS RESIN PA-765A, YELLOW
2. HOUSING TO INCLUDE (KITTED)
 - A. 55BB - BOOTS (BLACK) (6)
 - B. 55CG3 - 13.3-16.5mm BUSHING & GLANDS (1) LG INLET
 - C. 55LC - SWITCH COVER (CHIPS) (6)
 - D. LS1 - BUTTON LEGEND SHEET (1)
 - E. CABLE CLAMP (PLASTIC) (2) W/SCREWS (2)
 - F. S-HOOK W/HARDWARE (1)
3. POLYBAGGED & LABELLED (C8020443) W/PART NUMBER



BACK VIEW
W/O BACK COVER



ERICSON LOGO
APPLIED TO
FRONT OF
ENCLOSURE

| REV | REVISION DESCRIPTION | DATE | BY | CHKD | ECN NO. |
|-----|----------------------|----------|-----|------|---------|
| A | INITIAL DESIGN | 11/18/19 | FWK | | |
| | | | | | |
| | | | | | |
| | | | | | |
| | | | | | |

TOLERANCES
FRAC. ± 1/64
.X ± .015
.XX ± .010
.XXX ± .005
ANGLES ± 1°
UNLESS OTHERWISE SPECIFIED
DO NOT SCALE
B SIZE

DWG. APPROVALS DATE REV.

DRAWN FWK 11/18/19
CHK'D _____

ERICSON
SAFETY IS OUR STANDARD
ERICSON MANUFACTURING COMPANY
1-800-ERICSON • www.ericson.com

| | | |
|---|-------------------|--------------|
| DWG. TITLE | | |
| 5500 SERIES PENDANTS ENCLOSURE - 6 BUTTON LARGE CABLE INLET - DEEP BACK | | |
| SCALE NTS | PROJ NO. --/-- | SHEET 1 OF 1 |
| DWG. UNIT NO. 55EN06HD | | REV A |