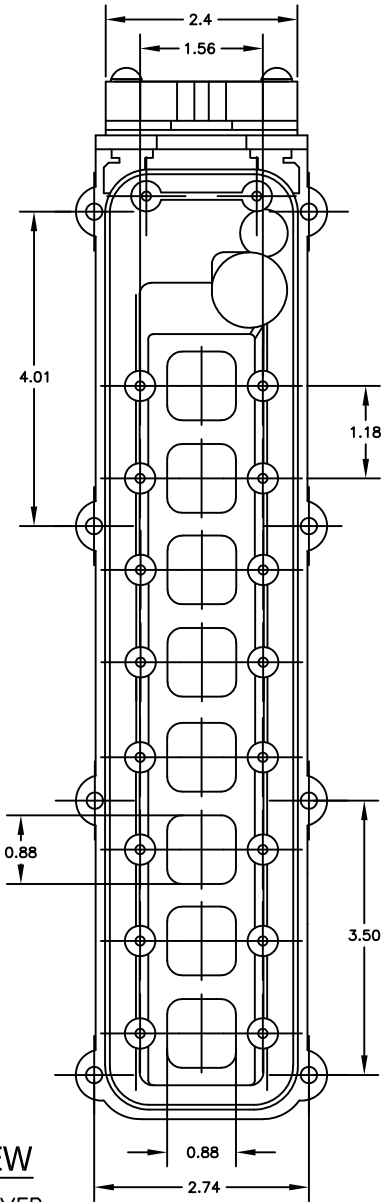


RESTRICTED

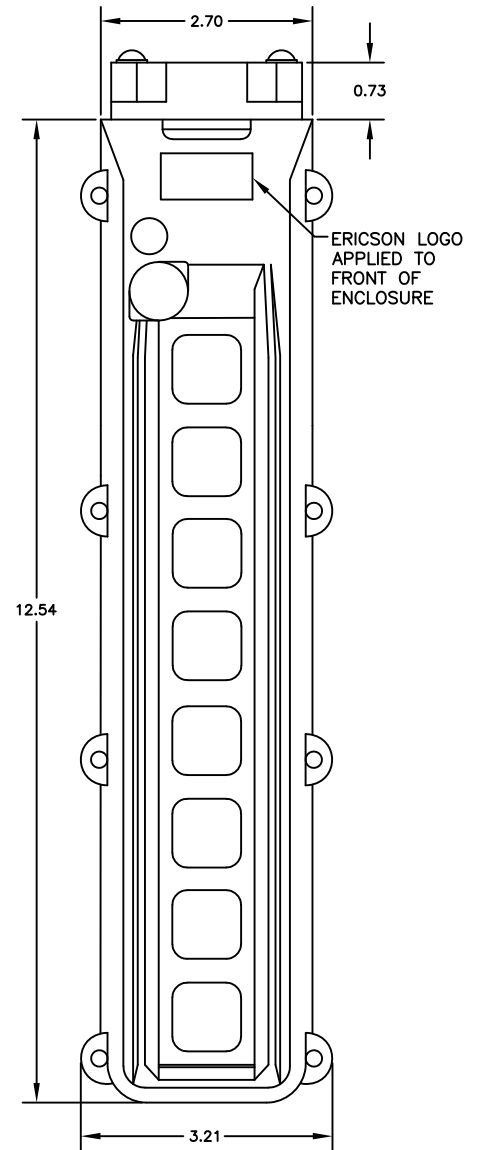
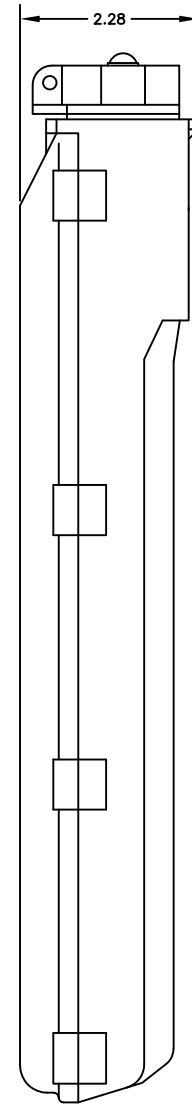
THIS PRINT IS PROPRIETARY AND CONFIDENTIAL AND MUST NOT BE COPIED OR ITS CONTENTS REVEALED TO UNAUTHORIZED PERSONNEL WITHOUT WRITTEN CONSENT OF ERICSON MANUFACTURING CO. IT IS TO BE RETURNED TO ERICSON MFG. UPON REQUEST.

NOTES:

- 1. ABS RESIN PA-765A, YELLOW
- 2. HOUSING TO INCLUDE (KITTED)
 - A. 55BB - BOOTS (BLACK) (8)
 - B. 55CG3 - 13.3-16.5mm BUSHING & GLANDS (1)
 - C. 55LC - SWITCH COVER (CHIPS) (8)
 - D. LS1 - BUTTON LEGEND SHEET (1)
 - E. CABLE CLAMP (PLASTIC) (2) W/SCREWS (2)
 - F. S-HOOK W/HARDWARE (1)
- 3. POLYBAGGED & LABELLED (C8020443) W/PART NUMBER



BACK VIEW
W/O BACK COVER



REV	REVISION DESCRIPTION	DATE	BY	CHKD	ECN NO.
A	INITIAL DESIGN	11/18/19	FWK		

TOLERANCES
 FRAC. ± 1/64
 .X ± .015
 .XX ± .010
 .XXX ± .005
 ANGLES ± 1°
 UNLESS OTHERWISE SPECIFIED
 DO NOT SCALE
 B SIZE

DWG. APPROVALS DATE REV.

 DRAWN FWK 11/18/19
 CHK'D _____



DWG. TITLE 5500 SERIES PENDANTS ENCLOSURE - 8 BUTTON		
SCALE NTS	PROJ NO. --/--	SHEET 1 OF 1
DWG. UNIT NO. 55EN08		REV A