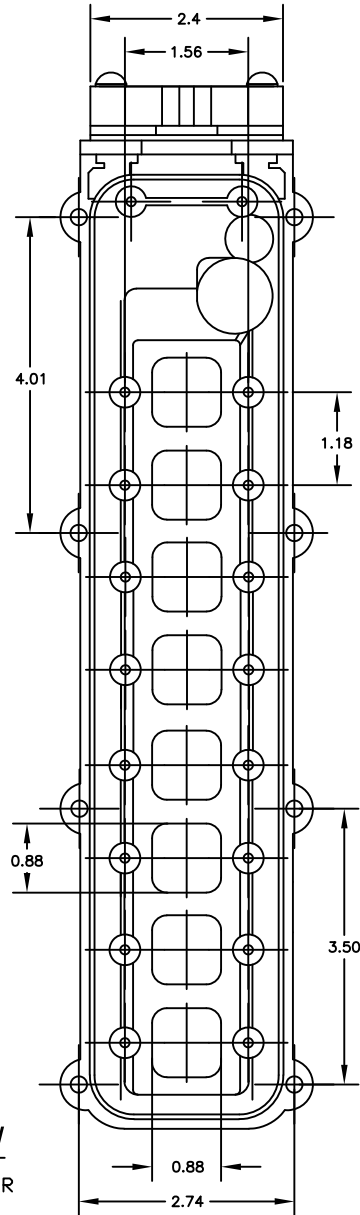
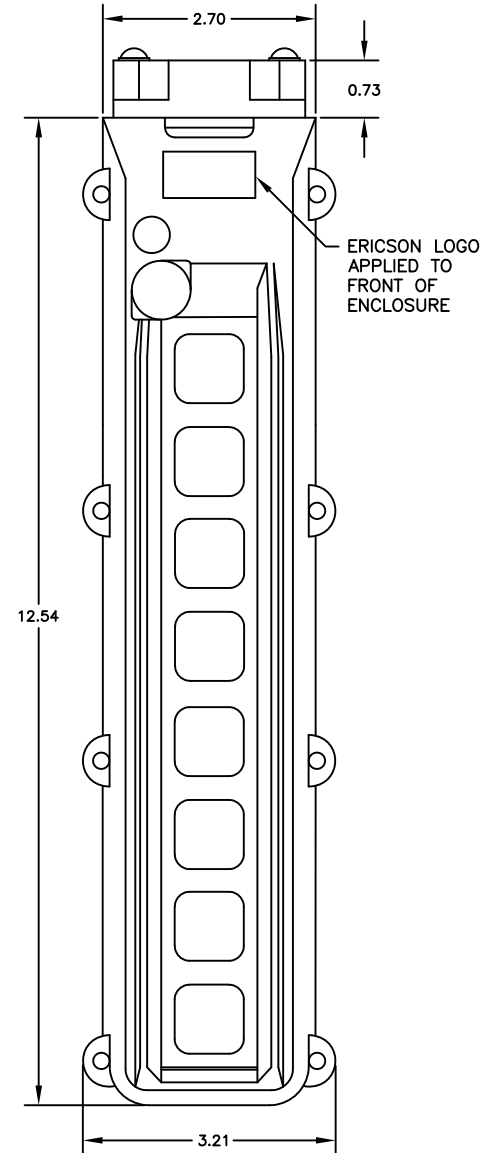
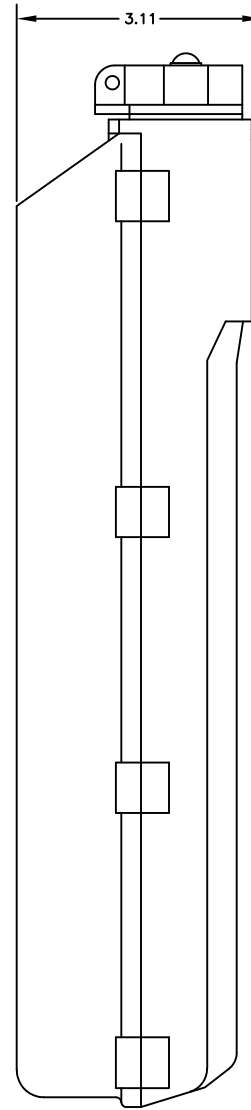


NOTES:

1. ABS RESIN PA-765A, YELLOW
2. HOUSING TO INCLUDE (KITTED)
 - A. 55BB - BOOTS (BLACK) (8)
 - B. 55CG3 - 13.3-16.5mm BUSHING & GLANDS (1)
 - C. 55LC - SWITCH COVER (CHIPS) (8)
 - D. LS1 - BUTTON LEGEND SHEET (1)
 - E. CABLE CLAMP (PLASTIC) (2) W/SCREWS (2)
 - F. S-HOOK W/HARDWARE (1)
3. POLYBAGGED & LABELLED (C8020443) W/PART NUMBER



BACK VIEW
 W/O BACK COVER



REV	REVISION DESCRIPTION	DATE	BY	CHKD	ECN NO.
A	INITIAL DESIGN	11/18/19	FWK		

TOLERANCES
 FRAC. ± 1/64
 .X ± .015
 .XX ± .010
 .XXX ± .005
 ANGLES ± 1°
UNLESS OTHERWISE SPECIFIED
DO NOT SCALE
 B SIZE

DWG. APPROVALS	DATE	REV.

DRAWN FWK 11/18/19
 CHK'D _____

ERICSON
 SAFETY IS OUR STANDARD
 ERICSON MANUFACTURING COMPANY
 1-800-ERICSON • www.ericson.com

DWG. TITLE		
5500 SERIES PENDANTS ENCLOSURE - 8 BUTTON DEEP BACK		
SCALE NTS	PROJ NO. --/--	SHEET 1 OF 1
DWG. UNIT NO. 55EN08D		REV A