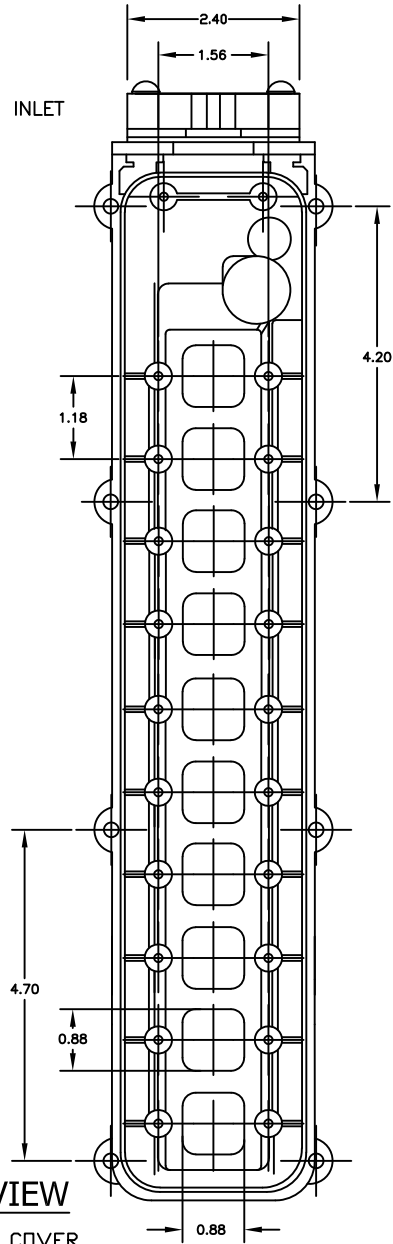


RESTRICTED

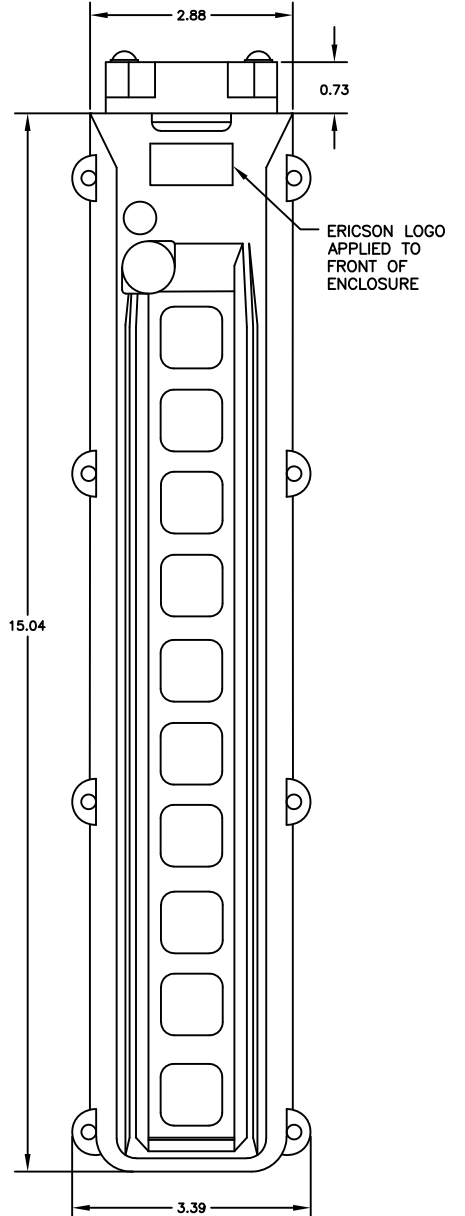
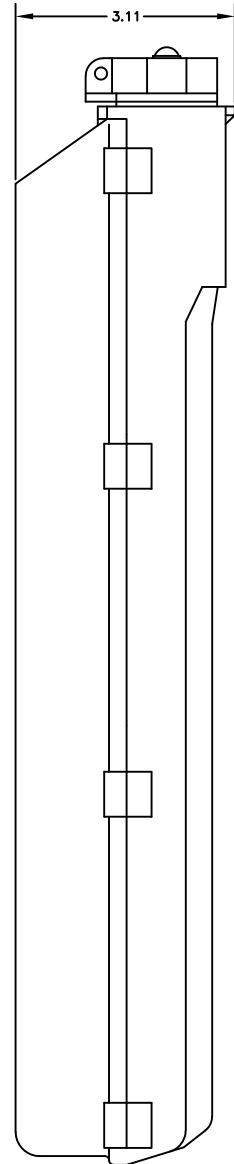
THIS PRINT IS PROPRIETARY AND CONFIDENTIAL AND MUST NOT BE COPIED OR ITS CONTENTS REVEALED TO UNAUTHORIZED PERSONNEL WITHOUT WRITTEN CONSENT OF ERICSON MANUFACTURING CO. IT IS TO BE RETURNED TO ERICSON MFG. UPON REQUEST.

NOTES:

- 1. ABS RESIN PA-765A, YELLOW
- 2. HOUSING TO INCLUDE (KITTED)
  - A. 55BB - BOOTS (BLACK) (10)
  - B. 55CG4 - 16.3-19.5mm BUSHING & GLANDS (1) LG INLET
  - C. 55LC - SWITCH COVER (CHIPS) (10)
  - D. LS1 - BUTTON LEGEND SHEET (1)
  - E. CABLE CLAMP (PLASTIC) (2) W/SCREWS (2)
  - F. S-HOOK W/HARDWARE (1)
- 3. POLYBAGGED & LABELLED (C8020443) W/PART NUMBER



BACK VIEW  
W/O BACK COVER



ERICSON LOGO  
APPLIED TO  
FRONT OF  
ENCLOSURE

REV	REVISION DESCRIPTION	DATE	BY	CHKD	ECN NO.
A	INITIAL DESIGN	11/18/19	FWK		

**TOLERANCES**  
 FRAC. ± 1/64  
 .X ± .015  
 .XX ± .010  
 .XXX ± .005  
 ANGLES ± 1°  
 UNLESS OTHERWISE SPECIFIED  
 DO NOT SCALE  
 B SIZE

DWG. APPROVALS	DATE	REV.

DRAWN FWK 11/18/19  
 CHK'D

**ERICSON**  
 SAFETY IS OUR STANDARD

ERICSON MANUFACTURING COMPANY  
 1-800-ERICSON • www.ericson.com

DWG. TITLE		
5500 SERIES PENDANTS ENCLOSURE - 10 BUTTON DEEP BACK & LARGE CABLE INLET		
SCALE NTS	PROJ NO. --/--	SHEET 1 OF 1
DWG. UNIT NO. 55EN10HD		REV A