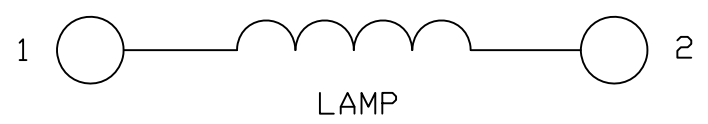
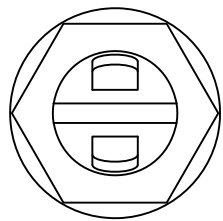
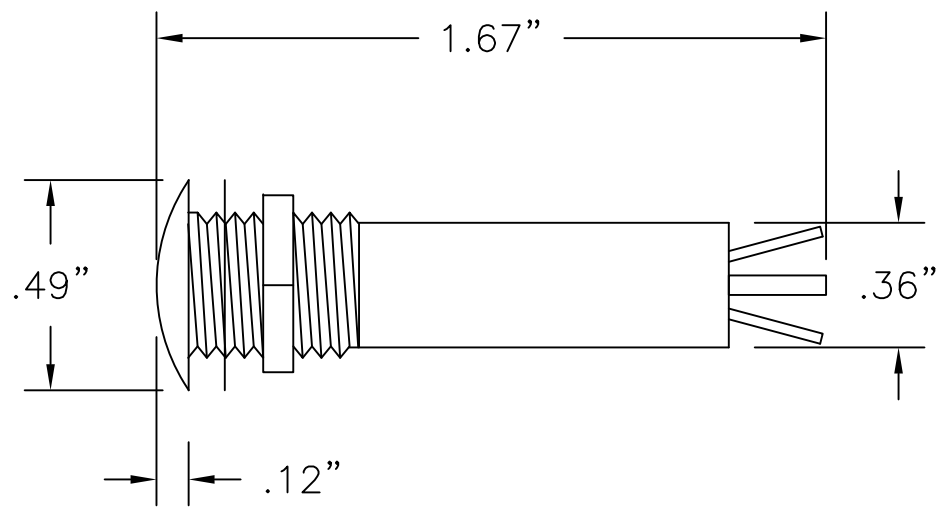


- NOTES:
 1) LAMP IS 24V AC/DC
 2) RED LENS
 3) SHIPPED IN POLYBAG WITH LABEL
 4) FOR USE IN LARGE PILOT HOLE



REV	REVISION DESCRIPTION	DATE	BY	CHKD	ECN NO.
A	INITIAL DESIGN				

TOLERANCES
 FRAC. ± 1/64
 .X ± .015
 .XX ± .010
 .XXX ± .005
 ANGLES ± 1°
 UNLESS OTHERWISE SPECIFIED
 DO NOT SCALE
 B SIZE

DWG. APPROVALS	DATE	REV.

DRAWN JRA 10/25/19
 CHK'D _____

ERICSON
 SAFETY IS OUR STANDARD

ERICSON MANUFACTURING COMPANY
 1-800-ERICSON • www.ericson.com

DWG. TITLE		
PILOT LIGHT RED 24V AC/DC 5500 SERIES, LARGE PILOT LOCATION		
SCALE NTS	PROJ NO. --/--	SHEET 1 OF 1
DWG. UNIT NO. 55LN2D		REV A