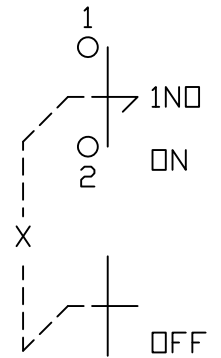
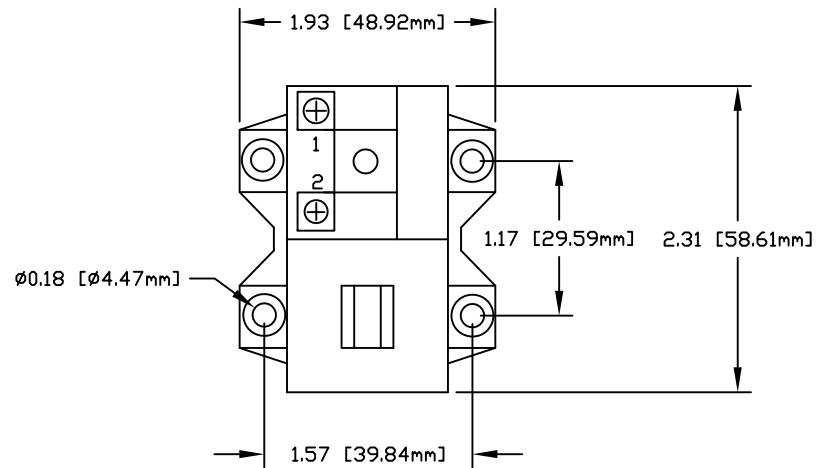
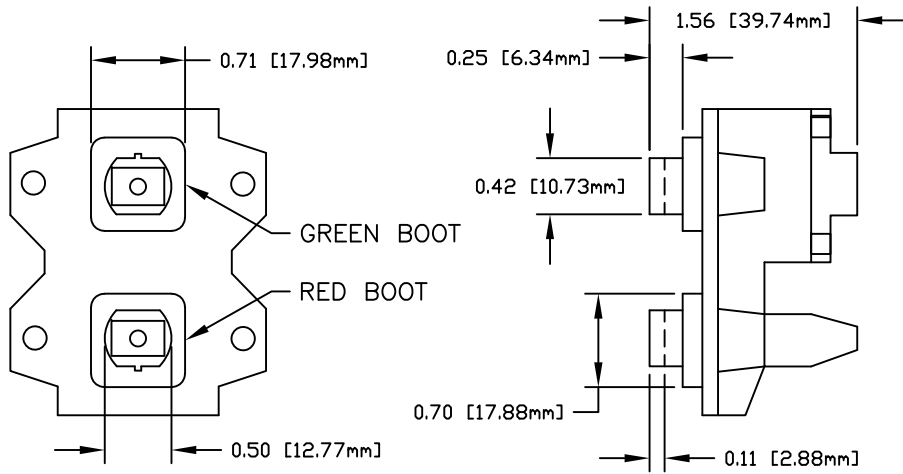


8 7 6 5 4 3 2 1

RESTRICTED

THIS PRINT IS PROPRIETARY AND CONFIDENTIAL AND MUST NOT BE COPIED OR ITS CONTENTS REVEALED TO UNAUTHORIZED PERSONNEL WITHOUT WRITTEN CONSENT OF ERICSON MANUFACTURING CO. IT IS TO BE RETURNED TO ERICSON MFG. UPON REQUEST.



NOTES:

1. SHIPPED WITH BUTTON LEGEND SHEET
2. PARTS KITTED IN POLYBAG, P/N ON BAG
3. MTBF 500,000 CYCLES
4. 5A @ 120 DR 250VAC MAX, 2A @ 24VDC, .4A @ 120VDC
5. MECHANICALLY INTERLOCKED, MAINTAINED

| REV | REVISION DESCRIPTION | DATE | BY | CHKD | ECH NO. |
|-----|----------------------|----------|-----|------|---------|
| A | INITIAL DESIGN | 10/11/19 | FWK | | |
| | | | | | |
| | | | | | |
| | | | | | |

TOLERANCES
 FRAC. ± 1/64
 .X ± .015
 .XX ± .010
 .XXX ± .005
 ANGLES ± 1°
 UNLESS OTHERWISE SPECIFIED
DO NOT SCALE
 B SIZE

| DWG. APPROVALS | DATE | REV. |
|----------------|------|------|
| | | |
| | | |

DRAWN FWK 10/11/19
 CHK'D _____



ERICSON MANUFACTURING COMPANY
 1-800-ERICSON • www.ericson.com

| | | |
|---|-------------------|--------------|
| DWG. TITLE | | |
| 5500 SERIES PENDANTS SWITCH, MAINTAINED ON-OFF TWO BUTTONS, 1 NORMALLY OPEN | | |
| SCALE NTS | PROJ NO. --/-- | SHEET 1 OF 1 |
| DWG. UNIT NO. 55S01 | | REV A |