

6000 STYLE

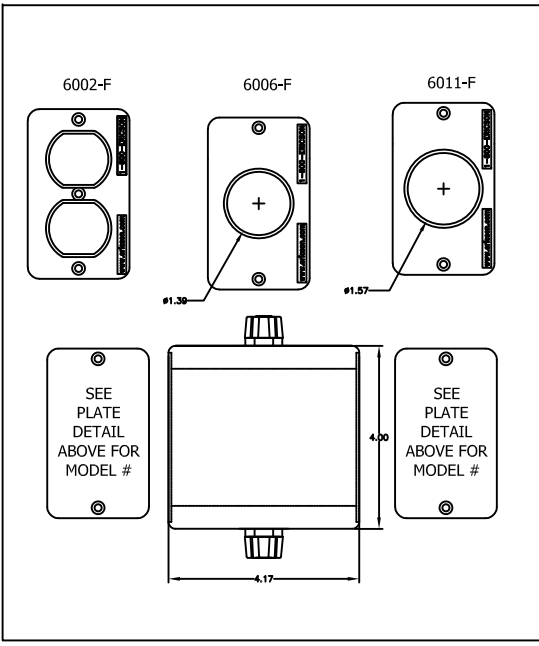
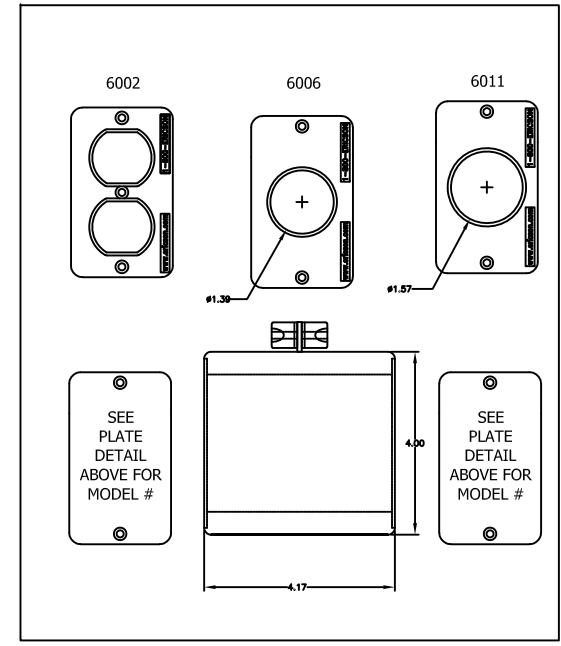
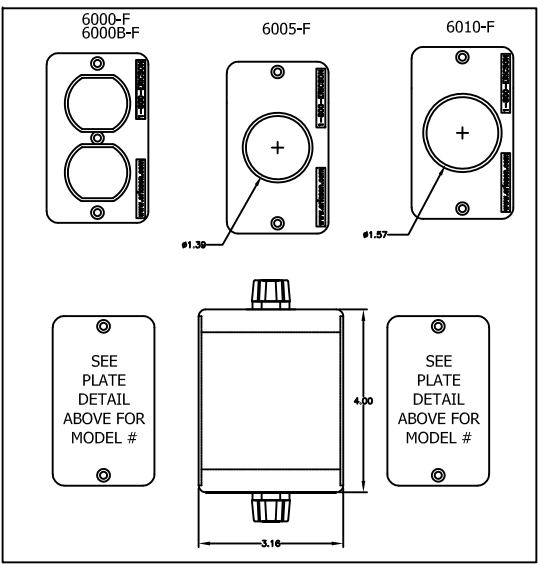
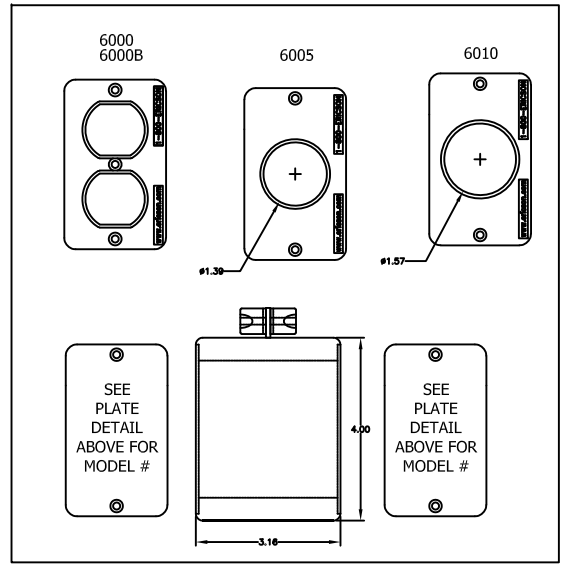
WITHOUT FLIPLIDS
 ON COVERPLATES

1. EACH CARTON/POLYBAG CONTAINS THE BOX, 2 COVERPLATES, AN INSTRUCTION SHEET C8020110, AND A SCREW PACKAGE. THE SCREW PKG CONTAINS 6 SCREWS AND 2 SPLIT RING STRAIN RELIEF CRIMPS.

2. ADDITIONALLY, EACH UNIT FURNISHED WITH CORD GRIP BUSHING(S) IS FURNISHED WITH THREE GROMMETS PER BUSHING (BLUE, RED, TAN) SIZED FOR AWG12/3 SOW, 14/3 SOW, AND 12/3SJ RESPECTIVELY.



C8020756 LABEL
 APPLIED TO OUTSIDE
 OF EACH
 CARTON/POLYBAG



REV	REVISION DESCRIPTION	DATE	BY	CHKD	ECN NO.

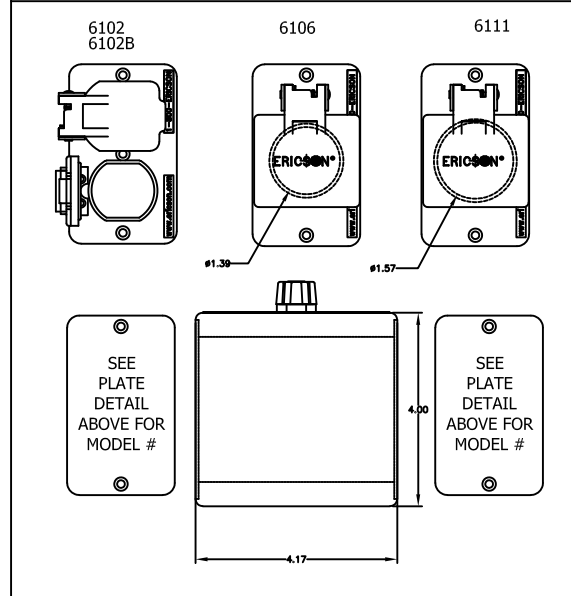
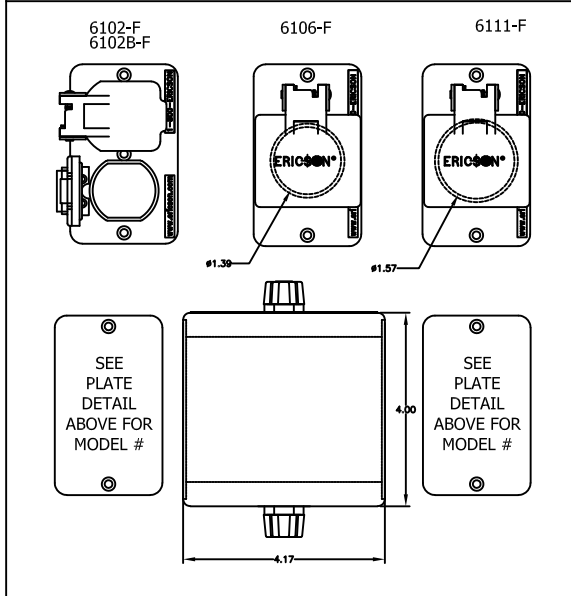
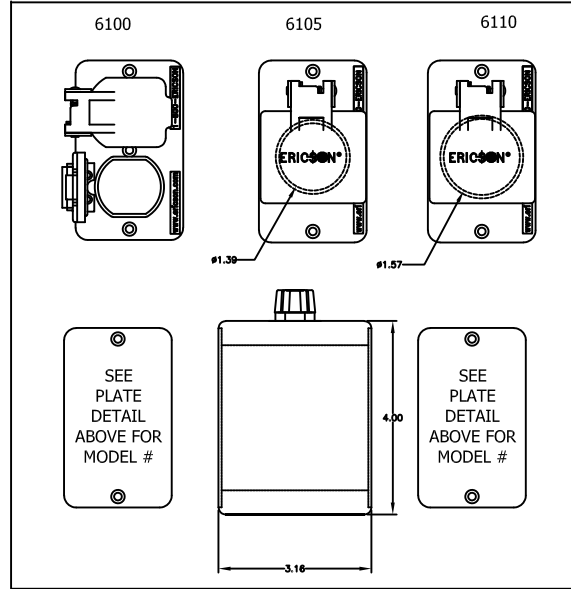
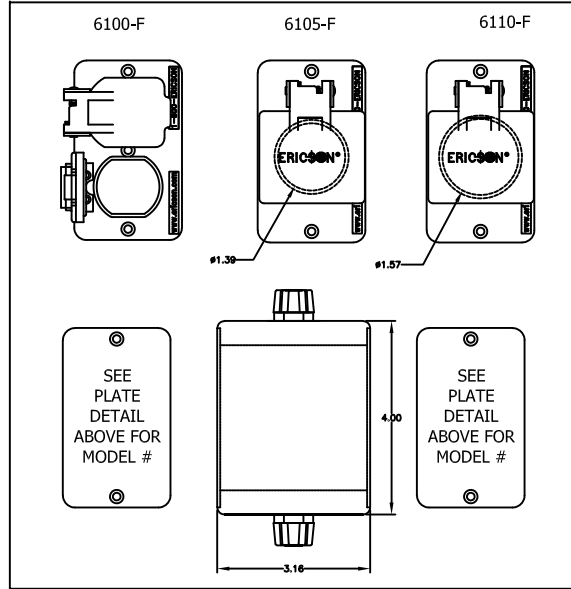
TOLERANCES
 FRAC. ± 1/64
 .X ± .015
 .XX ± .010
 .XXX ± .005
 ANGLES ± 1°
 UNLESS OTHERWISE SPECIFIED
DO NOT SCALE
 B SIZE

DWG. APPROVALS DATE REV.

DRAWN JRA 3/16/16
 CHK'D _____



DWG. TITLE		
60XX & 61XX BOX COVERPLATE KIT FINISHED GOODS FAMILY - ERICSON		
SCALE NTS	PROJ NO. --/--	SHEET 2 OF 3
DWG. UNIT NO. S-6000 BOX PARTS FAM A		REV A



6100 STYLE

WITH FLIPLIDS
ON COVERPLATES

1. EACH CARTON/POLYBAG CONTAINS THE BOX, 2 COVERPLATES, AN INSTRUCTION SHEET C8020110, AND A SCREW PACKAGE. THE SCREW PKG CONTAINS 6 SCREWS AND 2 SPLIT RING STRAIN RELIEF CRIMPS.

2. ADDITIONALLY, EACH UNIT FURNISHED WITH CORD GRIP BUSHING(S) IS FURNISHED WITH THREE GROMMETS PER BUSHING (BLUE, RED, TAN) SIZED FOR AWG12/3 SOW, 14/3 SOW, AND 12/3SJ RESPECTIVELY.



C8020756 LABEL
APPLIED TO OUTSIDE
OF EACH
CARTON/POLYBAG

REV	REVISION DESCRIPTION	DATE	BY	CHKD	ECH NO.

TOLERANCES
 FRAC. ± 1/64
 .X ± .015
 .XX ± .010
 .XXX ± .005
 ANGLES ± 1°
 UNLESS OTHERWISE SPECIFIED
 DO NOT SCALE
 B SIZE

DWG. APPROVALS DATE REV.
 _____ _____ _____
 _____ _____ _____
 DRAWN JRA 3/16/16
 CHK'D _____



DWG. TITLE		
60XX & 61XX BOX COVERPLATE KIT FINISHED GOODS FAMILY - ERICSON		
SCALE NTS	PROJ NO. --/--	SHEET 3 OF 3
DWG. UNIT NO. S-6000 BOX PARTS FAM A		REV A

PENDANT BOXES ARE PACKED 1 SET PER CARTON.
 FEED-THROUGH TYPE BOXES ARE PACKED 1 SET PER POLYBAG

1. DIMENSIONS SHOWN ARE TYPICAL.
2. DIMENSION FORMAT IS IN INCHES.
3. BOX IS THERMOPLASTIC ELASTOMER COLOR YELLOW EXCEPT WHERE OTHERWISE SPECIFIED.
4. CORD GRIP NUT IS PBT RESIN COLOR BLUE, EXCEPT WHERE OTHERWISE SPECIFIED.
5. FLIP LID, WHERE PROVIDED, IS PBT RESIN COLOR YELLOW, EXCEPT WHERE OTHERWISE SPECIFIED.
6. PLATE IS PBT COLOR BLUE, EXCEPT WHERE OTHERWISE SPECIFIED.
7. ENVIRONMENTAL RATING IS RAINPROOF WHEN THE FLIP LID IS CLOSED, OR INDOOR IF NO FLIP LID.
8. THESE KITS ARE UL LISTED PER UL498, E132662 AND/OR CSA CERTIFIED PER CSA C22.2 NO.18, LR89923 CLASS 4411-01, WITH CERTAIN EXCEPTIONS.
9. UNITS WITH "B" SUFFIX ARE FURNISHED AS ALL BLACK (BLACK BOX, WITH BLACK BUSHING OR CLAMPS, AND BLACK COVERPLATES & FLIPLIDS.)
10. BOX STRAIN RELIEFS ACCOMMODATE AWG12/3 TYPES SO AND SJ, AND 14/3 TYPES SO AND SJ. (0.360" - 0.610")
11. FLAMMABILITY RATING: UL94 V0
12. COVERPLATES CONFORM TO ANSI WD-6.

CHART OF COMPONENTS ON SHEETS 2 AND 3

EMC PART No.	DESCRIPTION	REV
6000	BOX W/2 PLATES, DUPLEX CLAMPS PENDANT YEL/BLU	B
6000-F	BOX W/2 PLATES, DUPLEX BUSHING FEEDTHRU YEL/BLU	A
6002	BOX W/2 PLATES, DUPLEX CLAMPS PENDANT DEEP YEL/BLU	A
6002-F	BOX W/2 PLATES, DUPLEX BUSHING FEEDTHRU DEEP YEL/BLU	A
6005	BOX W/2 PLATES, SINGLE 1.39" CLAMPS PENDANT YEL/BLU	B
6005-F	BOX W/2 PLATES, SINGLE 1.39" BUSHING FEEDTHRU YEL/BLU	B
6006	BOX W/2 PLATES, SINGLE 1.39" CLAMPS PENDANT DEEP YEL/BLU	A
6006-F	BOX W/2 PLATES, SINGLE 1.39" BUSHING FEEDTHRU DEEP YEL/BLU	B
6010	BOX W/2 PLATES, SINGLE 1.572" CLAMPS PENDANT YEL/BLU	B
6010-F	BOX W/2 PLATES, SINGLE 1.572" BUSHING FEEDTHRU YEL/BLU	A
6011	BOX W/2 PLATES, SINGLE 1.572" CLAMPS PENDANT DEEP YEL/BLU	A
6011-F	BOX W/2 PLATES, SINGLE 1.572" BUSHING FEEDTHRU DEEP YEL/BLU	A
6100	BOX W/2 PLATES, W/ FLIPS, DUPLEX BUSHING PENDANT YEL/BLU	A
6100B	BOX W/2 PLATES, W/ FLIPS, DUPLEX BUSHING PENDANT BLK/BLK	A
6100B-F	BOX W/2 PLATES, W/ FLIPS, DUPLEX BUSHING FEEDTHRU BLK/BLK	A
6100-F	BOX W/2 PLATES, W/ FLIPS, DUPLEX BUSHING FEEDTHRU YEL/BLU	A
6102	BOX W/2 PLATES, W/ FLIPS, DUPLEX BUSHING PENDANT DEEP YEL/BLU	A
6102B	BOX W/2 PLATES, W/ FLIPS, DUPLEX BUSHING PENDANT DEEP BLK/BLK	A
6102B-F	BOX W/2 PLATES, W/ FLIPS, DUPLEX BUSHING FEEDTHRU DEEP BLK/BLK	A
6102-F	BOX W/2 PLATES, W/ FLIPS, DUPLEX BUSHING FEEDTHRU YEL/BLU	A
6105	BOX W/2 PLATES, W/ FLIPS, SINGLE 1.39" BUSHING PENDANT YEL/BLU	A
6105-F	BOX W/2 PLATES, W/ FLIPS, SINGLE 1.39" BUSHING FEEDTHRU YEL/BLU	A
6106	BOX W/2 PLATES, W/ FLIPS, SINGLE 1.39" BUSHING PENDANT DEEP YEL/BLU	A
6106-F	BOX W/2 PLATES, W/ FLIPS, SINGLE 1.39" BUSHING FEEDTHRU DEEP YEL/BLU	A
6110	BOX W/2 PLATES, W/ FLIPS, SINGLE 1.572" BUSHING PENDANT YEL/BLU	A
6110-F	BOX W/2 PLATES, W/ FLIPS, SINGLE 1.572" BUSHING FEEDTHRU YEL/BLU	A
6111	BOX W/2 PLATES, W/ FLIPS, SINGLE 1.572" BUSHING PENDANT DEEP YEL/BLU	A

REV	REVISION DESCRIPTION	DATE	BY	CHKD	ECN NO.
A	INITIAL DESIGN				

TOLERANCES
 FRAC. ± 1/64
 .X ± .015
 .XX ± .010
 .XXX ± .005
 ANGLES ± 1°
UNLESS OTHERWISE SPECIFIED
DO NOT SCALE
 B SIZE

DWG. APPROVALS	DATE	REV.
_____	_____	_____
_____	_____	_____
_____	_____	_____
_____	_____	_____

DRAWN JRA 3/16/16
 CHK'D _____



ERICSON
 SAFETY IS OUR STANDARD
 ERICSON MANUFACTURING COMPANY
 1-800-ERICSON • www.ericson.com

DWG. TITLE		
60XX & 61XX BOX COVERPLATE KIT FINISHED GOODS FAMILY - ERICSON		
SCALE NTS	PROJ NO. --//--	SHEET 1 OF 3
DWG. UNIT NO.		REV
S-6000 BOX PARTS FAM		A