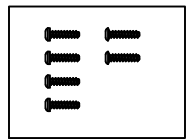
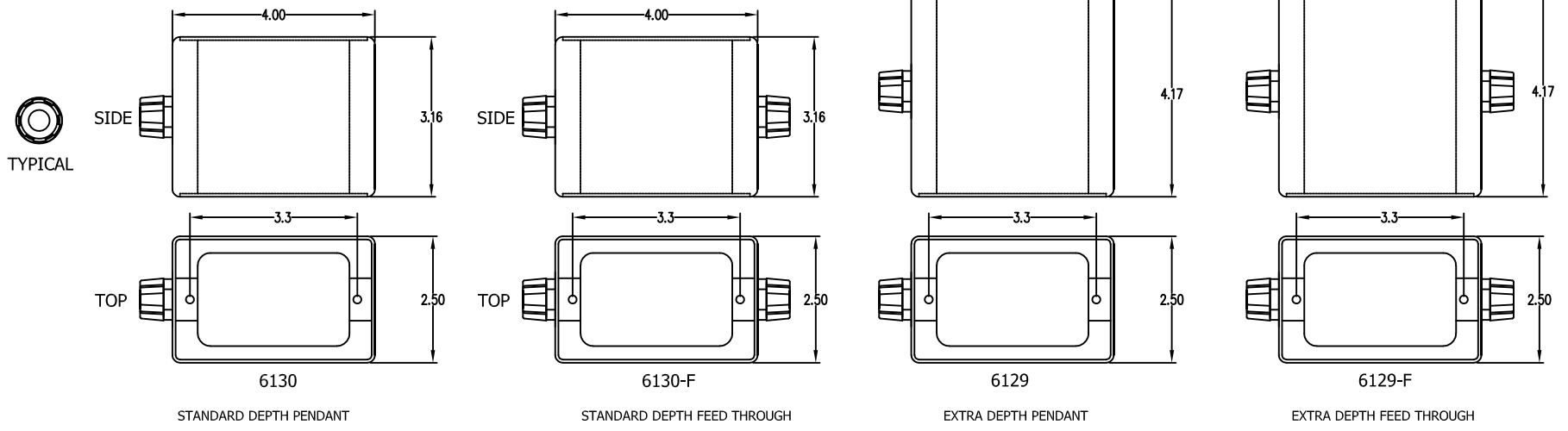


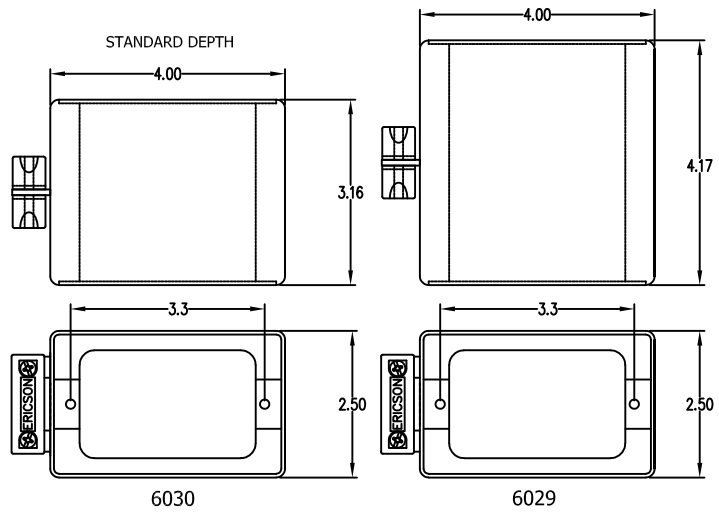
BUSHING STYLE PORTABLE OUTLET BOXES



SCREW KIT INCLUDED
 MOUNTS 2 COVERPLATES

ASSEMBLY NOTE: "ERICSON" LOGO ON CORD CLAMP TO BE ORIENTED AS SHOWN, ON THE NON-EJECTOR-PIN SIDE OF THE BOX, PER WORK INSTRUCTION WI-6030A

CLAMP STYLE PORTABLE OUTLET BOXES EXTRA DEPTH



1. DIMENSIONS SHOWN ARE TYPICAL
2. DIMENSION FORMAT IS IN INCHES.
3. BOX IS THERMOPLASTIC ELASTOMER COLOR YELLOW, W/ BLUE NUT/CLAMP.
4. BOX PART NUMBERS WITH -BK SUFFIX ARE BLACK, INCLUDING CORD GRIP BUSHING & NUT/CLAMP.
5. CORD GRIP NUT IS PBT THERMOPLASTIC RESIN COLOR BLUE.
6. ENVIRONMENTAL RATINGS:
 BUSHING STYLE W/ FLIPS: RAINPROOF
 ALL OTHERS: DRY LOCATION USE ONLY
7. BUSHING STYLE STRAIN RELIEF IS 1/2" TRADE SIZE WATERTIGHT, FURNISHED W/ GROMMETS TO FIT 12/3 SO & SJ, AND 14/3 SO & SJ.
8. CLAMP STYLE STRAIN RELIEF ACCOMMODATES 12/3 SO & SJ AND 14/3 SO & SJ.
9. FLAMMABILITY RATING: UL94 V0

EMC PART No.	DESCRIPTION	REV
6029	BOX, CLAMP STYLE, DEEP, YELLOW	A
6029B	BOX, CLAMP STYLE, DEEP, BLACK	A
6030	BOX, CLAMP STYLE, STANDARD DEPTH, YELLOW	B
6030B	BOX, CLAMP STYLE, STANDARD DEPTH, BLACK	A
6129	BOX, BUSHING, DEEP, YELLOW	A
6129B	BOX, BUSHING, DEEP, BLACK	A
6129B-F	BOX, BUSHING, DEEP, FEEDTHRU, BLACK	A
6129-F	BOX, BUSHING, DEEP, FEEDTHRU, YELLOW	A
6130	BOX, BUSHING, STANDARD DEPTH, YELLOW	A
6130B	BOX, BUSHING, STANDARD DEPTH, BLACK	A
6130B-F	BOX, BUSHING, STANDARD DEPTH, FEEDTHRU, BLACK	A
6130-F	BOX, BUSHING, STANDARD DEPTH, FEEDTHRU, YELLOW	A

REV	REVISION DESCRIPTION	DATE	BY	CHKD	ECN NO.
	SEE SHEET 1				

TOLERANCES
 FRAC. ± 1/64
 .X ± .015
 .XX ± .010
 .XXX ± .005
 ANGLES ± 1°
 UNLESS OTHERWISE SPECIFIED
 DO NOT SCALE
 B SIZE

DWG. APPROVALS	DATE	REV.
_____	_____	_____
_____	_____	_____
_____	_____	_____

DRAWN JRA 3/16/16
 CHK'D _____

ERICSON
 SAFETY IS OUR STANDARD

ERICSON MANUFACTURING COMPANY
 1-800-ERICSON • www.ericson.com

DWG. TITLE		
60XX & 61XX PORTABLE OUTLET BOX AND COVERPLATE COMPONENT FAMILY - ERICSON		
SCALE NTS	PROJ NO. --/--	SHEET 2 OF 2
DWG. UNIT NO. S-6000 BOX/PLATE FAM B		REV B