

PORTABLE OUTLET BOX
 PENDANT AND FEED THROUGH STYLES

CSA COMPLIANT GROUND LUGS FURNISHED WITH 1/2" TRADE SIZE BUSHING ONLY.

PART NUMBERING:
 62AABCCDE

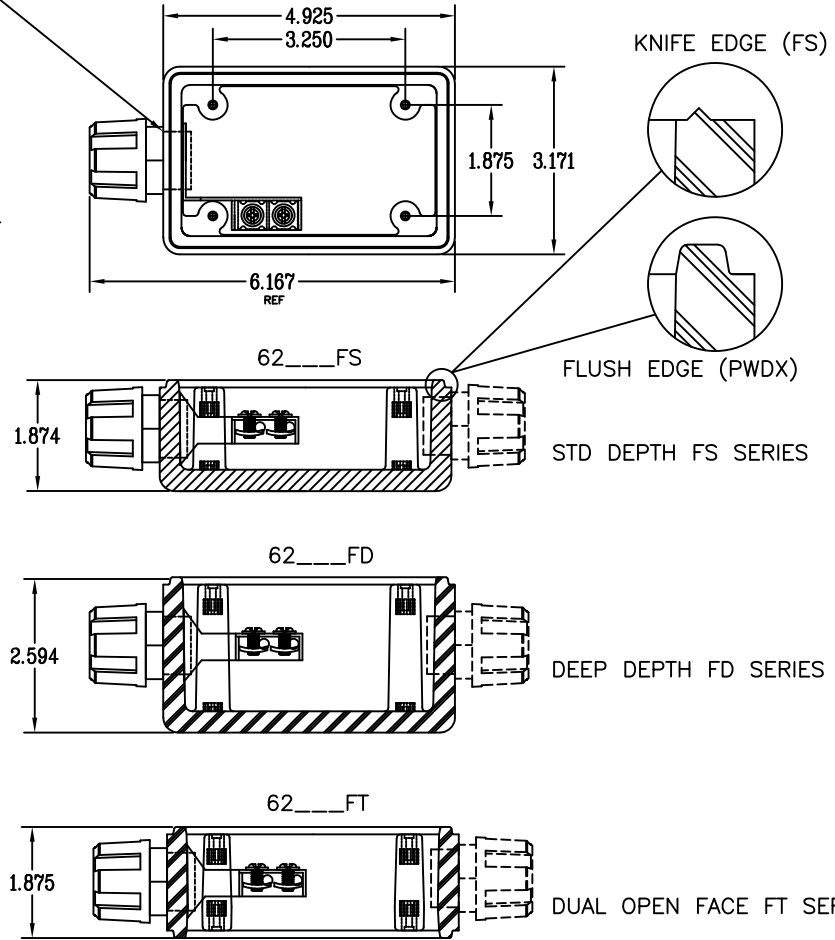
10 = 1" BUSHING HOLE
 12 = 1/2" BUSHING HOLE
 34 = 3/4" BUSHING HOLE

_ = NO BUSHING
 N = NONMETALLIC BUSHING
 W = WIRE MESH GRIP

FS = STD DEPTH BOX
 FD = DEEP BOXNG
 FT = OPEN DBL SIDE BOX

_ = SINGLE END HOLE
 F = FEEDTHRU, 2 HOLES

_ = FLUSH EDGE FOR PWDX LID
 K = KNIFE EDGE FOR FS LID



NOTES:

- 1) BOX MOLDED FROM UV STABILIZED TPV RUBBER, SUITABLE FOR OUTDOOR USE.
- 2) COLOR YELLOW.
- 3) DIMENSIONS SHOWN IN INCHES
- 4) STD DEPTH BOX VOLUME 14.3 CU IN.
- 5) DEEP DEPTH BOX VOLUME 21.3 CU IN.
- 6) UL LISTED TO UL514C & UL514D, E107792. BOXES WITH 1/2" TRADE SIZE BUSHINGS ARE cULus LISTED, BOXES WITH 3/4" AND 1" BUSHINGS ARE UL LISTED. BOXES WITHOUT BUSHINGS ARE UNLISTED.
- 7) NEMA 4 ENCLOSURE RATING WHEN USED WITH MATING ERICSON FLIP LIDS.
- 8) CORD DIAMETER (BUSHING SYTLE):
 1/2" 0.300-0.655
 3/4" 0.450-0.709
 1" 0.590-1.000
- 9) CORD DIAMETER (WIRE MESH STYLE):
 1/2" 0.375-0.500
 3/4" 0.625-0.750
 1" 0.875-1.000
- 10) CONFORMS TO INDUSTRY STANDARD SCREW HOLE LOCATIONS FOR FS/FD FLIP LIDS.
- 11) FOOT KIT AVAILABLE, PN 6260WK

REV	REVISION DESCRIPTION	DATE	BY	CHKD	ECN NO.
A	INITIAL DESIGN				
B	RELEASED				
C	ADDED INS SHEET FOR 3/4 AND 1" BUSHING	5/2/14	JMM		3702
D	REDUCED QTY OF GRND'G BUS ASSY	8/3/18	SAH	RWH	4431

TOLERANCES
 FRAC. ± 1/64
 .X ± .015
 .XX ± .010
 .XXX ± .005
 ANGLES ± 1°
 UNLESS OTHERWISE SPECIFIED
 DO NOT SCALE
 B SIZE

DWG. APPROVALS DATE REV.

 DRAWN JMM
 CHK'D _____

ERICSON
 SAFETY IS OUR STANDARD
 ERICSON MANUFACTURING COMPANY
 1-800-ERICSON • www.ericson.com

DWG. TITLE		
6200 FAMILY OUTLET BOX FOR PWDX AND FS FLIP LIDS YELLOW		
SCALE NTS	PROJ NO. --/--	SHEET 1 OF 2
DWG. UNIT NO. S-6200 FAMILY		REV D

P/N	DESCRIPTION	NRTL	REV
6210FD	BOX DEEP PWDX NO BUSHING 1" NPT	-	B
6210FDF	BOX DEEP PWDX NO BUSHING FEED THRU 1" NPT	-	B
6210FDK	BOX DEEP, FS SERIES, NO BUSHING 1" NPT	-	B
6210FDFK	BOX DEEP FS SERIES NO BUSHING FEED THRU 1" NPT	-	B
6210NFD	BOX DEEP PWDX NM BUSHING 1" NPT	UL	B
6210NDF	BOX, DEEP, PWDX, NM BUSHING, FEED THRU, 1" NPT	UL	B
6210NFDK	BOX DEEP, FS SERIES, NM BUSHING 1" NPT	UL	B
6210NDFK	BOX, DEEP, FS SERIES, NM BUSHING, FEED THRU, 1" NPT	UL	B
6210WFD	BOX, DEEP, PWDX, WIRE MESH BUSHING, 1" NPT	UL	B
6210WDF	BOX, DEEP, PWDX, WIRE MESH BUSHING, FEED THRU, 1" NPT	UL	B
6210WFDK	BOX, DEEP, FS SERIES, WIRE MESH BUSHING, 1" NPT	UL	B
6210WDFK	BOX, DEEP, FS SERIES, WIRE MESH BUSHING, FEED THRU, 1" NPT	UL	B

P/N	DESCRIPTION	NRTL	REV
6212FD	BOX DEEP PWDX NO BUSHING 1/2" NPT	-	A
6212FDF	BOX DEEP PWDX NO BUSHING 1/2" NPT FEED-THRU	-	A
6212FDK	BOX DEEP, FS SERIES, NO BUSHING 1/2" NPT	-	A
6212FDFK	BOX DEEP FS SERIES NO BUSHING 1/2" NPT FEED-THRU	-	A
6212FS	BOX STD PWDX NO BUSHING 1/2" NPT	-	A
6212FSF	BOX STD PWDX NO BUSHING FEED THRU 1/2" NPT	-	A
6212FSK	BOX STD, FS SERIES, NO BUSHING 1/2" NPT	-	A
6212FSFK	BOX STD FS SERIES NO BUSHING FEED THRU 1/2" NPT	-	A
6212FT	BOX OPEN PWDX NO BUSHING 1/2" NPT	-	A
6212FTF	BOX OPEN PWDX NO BUSHING FEED THRU 1/2" NPT	-	A
6212NFD	BOX DEEP PWDX NM BUSHING 1/2" NPT	cULus	A
6212NDF	BOX DEEP PWDX NM BUSHING FEED THRU 1/2" NPT	cULus	C
6212NFDK	BOX DEEP, FS SERIES, NM BUSHING 1/2" NPT	cULus	A
6212NDFK	BOX DEEP FS SERIES NM BUSHING FEED THRU 1/2" NPT	cULus	A
6212NFS	BOX STD PWDX NM BUSHING 1/2" NPT	cULus	A
6212NFSF	BOX STD DEPTH PWDX NM BUSHING FEED THRU 1/2" NPT	cULus	C
6212NFSK	BOX STD, FS SERIES, NM BUSHING 1/2" NPT	cULus	A
6212NFSFK	BOX STD DEPTH FS SERIES NM BUSHING FEED THRU 1/2" NPT	cULus	A
6212NFT	BOX OPEN PWDX NM BUSHING 1/2" NPT	cULus	A
6212NFTF	BOX OPEN PWDX NM BUSHING FEED THRU 1/2" NPT	cULus	C
6212WFD	BOX DEEP PWDX WIRE MESH BUSHING 1/2" NPT	cULus	A
6212WDF	BOX DEEP PWDX WIRE MESH BUSHING FEED THRU 1/2" NPT	cULus	C
6212WFDK	BOX DEEP, FS SERIES, WIRE MESH BUSHING 1/2" NPT	cULus	A
6212WDFK	BOX DEEP FS SERIES WIRE MESH BUSHING FEED THRU 1/2" NPT	cULus	A
6212WFS	BOX STD DEPTH PWDX WIRE MESH BUSHING 1/2" NPT	cULus	A
6212WFSF	BOX STD DEPTH PWDX WIRE MESH BUSHING FEED THRU 1/2" NPT	cULus	A
6212WFSK	BOX STD DEPTH, FS SERIES, WIRE MESH BUSHING 1/2" NPT	cULus	A
6212WFSFK	BOX STD DEPTH FS SERIES WIRE MESH BUSHING FEED THRU 1/2" NPT	cULus	A
6212WFT	BOX OPEN PWDX WIRE MESH BUSHING 1/2" NPT	cULus	A
6212WFTF	BOX, CPEN, PWDX, WIRE MESH BUSHING, FEED THRU, 1/2" NPT	cULus	C

P/N	DESCRIPTION	NRTL	REV
6234FD	BOX DEEP PWDX NO BUSHING 3/4" NPT	-	B
6234FDF	BOX DEEP PWDX NO BUSHING 3/4" NPT FEED-THRU	-	B
6234FDK	BOX DEEP, FS SERIES, NO BUSHING 3/4" NPT	-	B
6234FDFK	BOX DEEP FS SERIES NO BUSHING 3/4" NPT FEED-THRU	-	B
6234FS	BOX STD DEPTH PWDX NO BUSHING 3/4" NPT	-	B
6234FSF	BOX STD PWDX NO BUSHING FEED THRU 3/4" NPT	-	B
6234FSK	BOX STD DEPTH, FS SERIES, NO BUSHING 3/4" NPT	-	B
6234FSFK	BOX STD FS SERIES NO BUSHING FEED THRU 3/4" NPT	-	B
6234FT	BOX OPEN PWDX NO BUSHING 3/4" NPT	-	B
6234FTF	BOX OPEN PWDX NO BUSHING FEED THRU 3/4" NPT	-	B
6234NFD	BOX DEEP PWDX NM BUSHING 3/4" NPT	UL	B
6234NDF	BOX, DEEP, PWDX, NM BUSHING, FEED THRU, 3/4" NPT	UL	B
6234NFDK	BOX DEEP, FS SERIES, NM BUSHING 3/4" NPT	UL	B
6234NDFK	BOX, DEEP, FS SERIES, NM BUSHING, FEED THRU, 3/4" NPT	UL	B
6234NFS	BOX STD PWDX NM BUSHING 3/4" NPT	UL	B
6234NFSF	BOX, STD DEPTH, PWDX, NM BUSHING, FEED THRU, 3/4" NPT	UL	B
6234NFSK	BOX STD, FS SERIES, NM BUSHING 3/4" NPT	UL	B
6234NFSFK	BOX, STD DEPTH, FS SERIES, NM BUSHING, FEED THRU, 3/4" NPT	UL	B
6234NFT	BOX OPEN PWDX NM 3/4" NPT	UL	B
6234NFTF	BOX, OPEN, PWDX, NM BUSHING, FEED THRU, 3/4" NPT	UL	B
6234WFD	BOX, DEEP, PWDX, WIRE MESH BUSHING, 3/4" NPT	UL	B
6234WFDI	BOX, DEEP, PWDX, WIRE MESH BUSHING, FEED THRU, 3/4" NPT	UL	B
6234WFDI	BOX, DEEP, FS SERIES, WIRE MESH BUSHING, 3/4" NPT	UL	B
6234WFDI	BOX, DEEP, FS SERIES, WIRE MESH BUSHING, FEED THRU, 3/4" NPT	UL	B
6234WFS	BOX, STD DEPTH, PWDX, WIRE MESH BUSHING, 3/4" NPT	UL	B
6234WFSF	BOX, STD DEPTH, PWDX, WIRE MESH BUSHING, FEED THRU, 3/4" NPT	UL	B
6234WFSK	BOX, STD DEPTH, FS SERIES, WIRE MESH BUSHING, 3/4" NPT	UL	B
6234WFSFK	BOX, STD DEPTH, FS SERIES, WIRE MESH BUSHING, FEED THRU, 3/4" NPT	UL	B
6234WFT	BOX, OPEN, PWDX, WIRE MESH BUSHING, 3/4" NPT	UL	B
6234WFTF	BOX, OPEN, PWDX, WIRE MESH BUSHING, FEED THRU, 3/4" NPT	UL	B

REV	REVISION DESCRIPTION	DATE	BY	CHKD	ECH NO.
	SEE SHEET 1				

TOLERANCES
 FRAC. ± 1/64
 .X ± .015
 .XX ± .010
 .XXX ± .005
 ANGLES ± 1°
UNLESS OTHERWISE SPECIFIED
DO NOT SCALE
 B SIZE

DWG. APPROVALS	DATE	REV.
_____	_____	_____
_____	_____	_____
_____	_____	_____

DRAWN **JMM**
 CHK'D _____



ERICSON
 SAFETY IS OUR STANDARD

ERICSON MANUFACTURING COMPANY
 1-800-ERICSON • www.ericson.com

DWG. TITLE		
6200 FAMILY OUTLET BOX FOR PWDX AND FS FLIP LIDS YELLOW		
SCALE NTS	PROJ NO. --/--	SHEET 2 OF 2
DWG. UNIT NO. S-6200 FAMILY		REV D