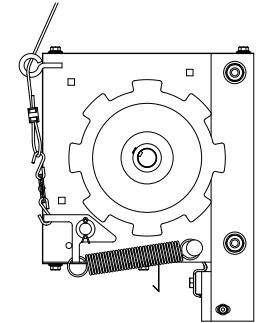
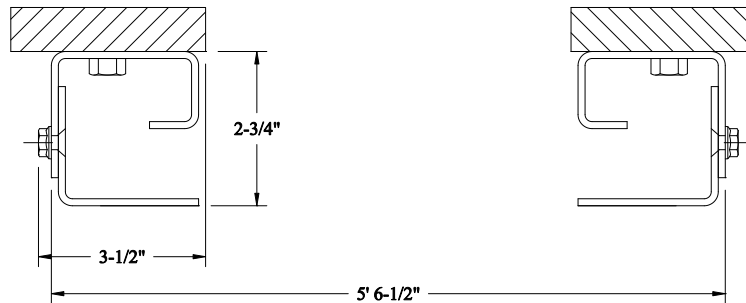


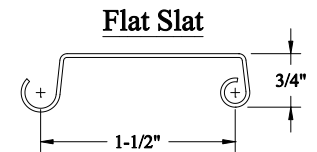
Tension Headplate Detail



Drive Headplate Detail



"X" DIMENSION  
"X" Dimension = Opening Width + 6-1/2"



Model 7522: 22 Gauge Galvanized Steel Slats  
Model 7566: 22 Gauge Stainless Steel Slats

05/2006 Copyright 2001 C.H.I. Overhead Doors

Door Qty.	Door Width	Door Height	Jamb Type	Model	Exterior Color

Miscellaneous Notes

**C.H.I.**  
ROLLING STEEL DOORS  
1485 Sunrise Drive, Arthur, IL 61911  
TOLL FREE: 800-677-2650 FAX: 217-543-5172

**Galvanized or Stainless Steel Fire Counter Shutter**

ARCHITECT:	
CONTRACTOR:	
PROJECT NAME:	
DOOR COMPANY:	
PREPARED BY:	DOOR NUMBER:
QUOTE NUMBER:	DATE: