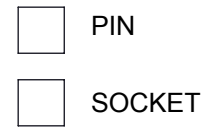


FACE VIEW CONTACT SIZE: _____



7

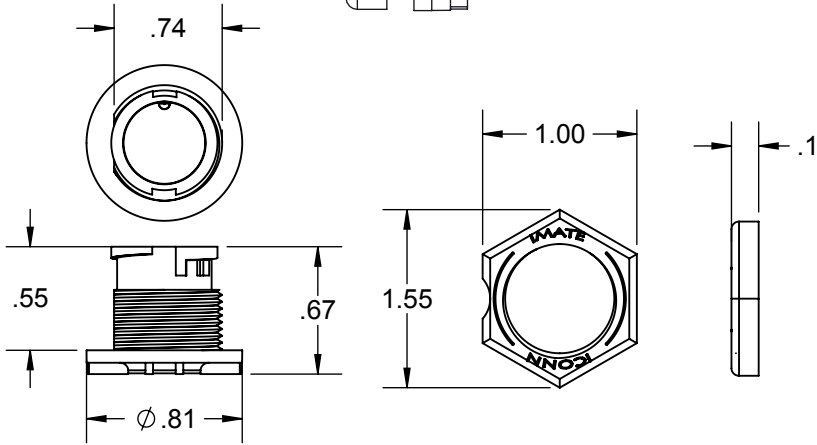
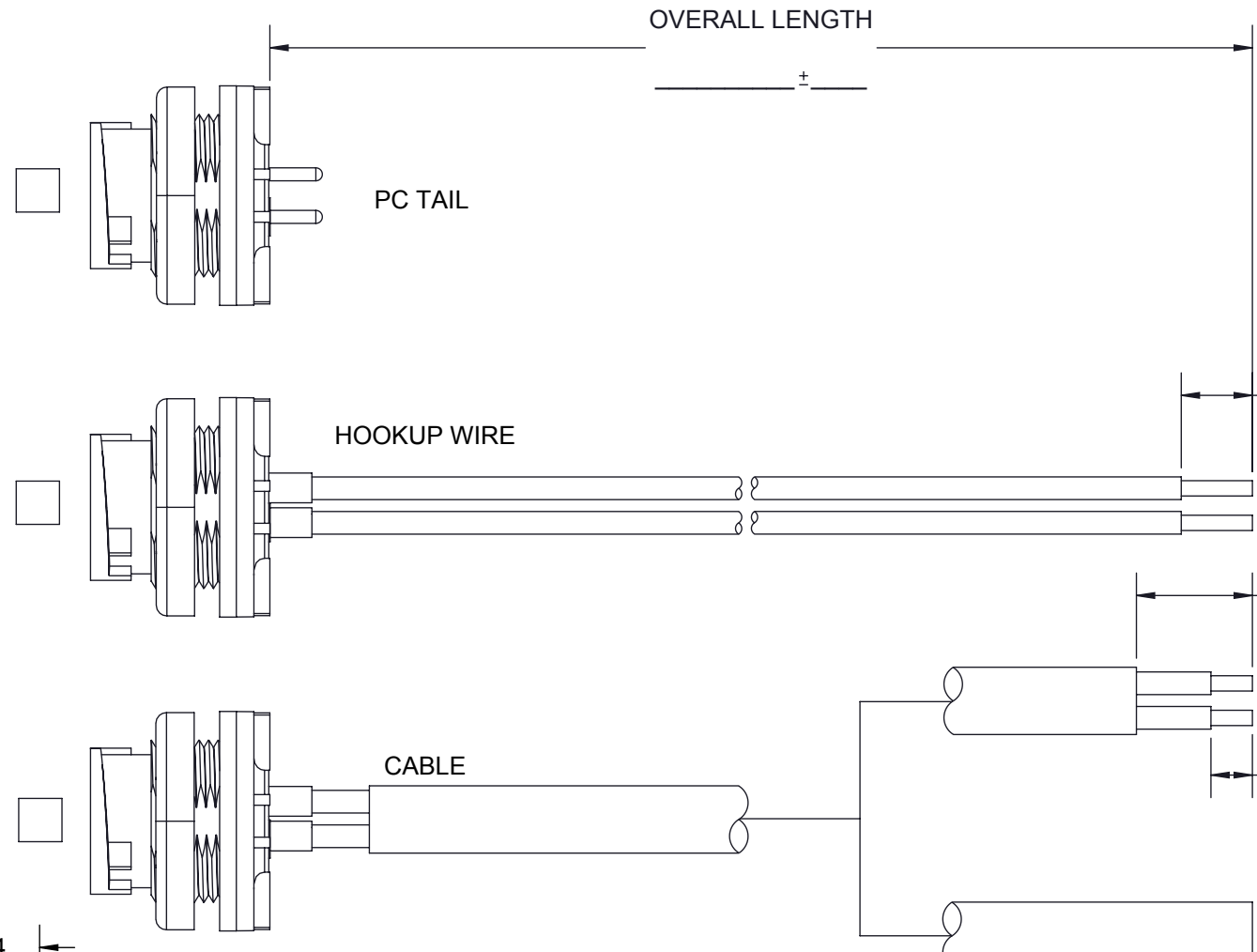
CABLE MFG:	
PART #:	
JACKET COLOR:	
JACKET MATERIAL:	
CONDUCTOR SIZE:	
STRANDING:	
TINNED/BARE:	
# OF CONDUCTORS:	
CONDUCTOR INSULATION:	
SHIELD:	
DRAIN:	
VOLTS:	
UL:	
CSA:	
OTHER:	

END A WIRING TABLE

10

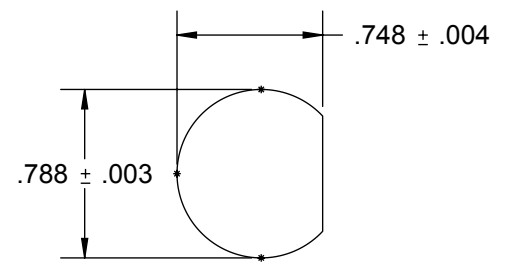
POSITION	1	2	3	4	5	6	7	8	9
COLOR									

WIRING TABLE LEGEND:
N/T = NOT TERMINATED, N/C = NO CONTACT, M/C = MOLDED CLOSED



- NOTES:
- 3/16" MAX MOUNTING PANEL THICKNESS
 - MATERIALS:
 - INSERT: GE VALOX 420 SEO PBT 30% GF PBT, UL94V0,
 - BLACK GASKET: NEOPRENE RUBBER 60 5 DUROMETER
 - JAM NUT: GE VALOX 420 SEO PBT 30% GF, UL94V0, BLACK
 - PRODUCT PERFORMANCE:
 - SEALING: UP TO IP68 RATING
 - VOLTAGE: UP TO 600V
 - AMP CAPACITY: 24A / 12AWG, 16A / 16AWG, 7.5A / 20AWG, 5A / 22 AWG

RECOMMENDED MOUNTING HOLE



CONDUCTOR STRIP LENGTH _____ ± _____

JACKET STRIP LENGTH _____ ± _____

CONDUCTOR STRIP LENGTH _____ ± _____

BLUNT CUT SECONDARY INTERCONNECTION (SEE BELOW)

REQUIRED SECONDARY INTERCONNECTIONS:

ALL DIMENSIONS ARE SPECIFIED IN:
IN [MM]
TOLERANCES UNLESS OTHERWISE SPECIFIED:
ENGLISH .XX = ±.02 IN .XXX = ±.010 IN
METRIC .X = ±.5 MM .XX = ±.25 MM
FRACTIONAL = ±1/32" ALL ANGLES = ±10°
THIRD ANGLE PROJECTION

DESIGNED BY:	J.REGOLE	DATE:	5-8-10
DESIGN APPROVED BY:	T.CZYZ	DATE:	7-3-10
DRAFTED BY:	J.REGOLE	DATE:	1-8-15
CHECKED BY:	J.JEFFERY	DATE:	1-8-15

DRAWING TITLE:
IMATE 28 PANEL RECEPTACLE SALES OPTIONS

CONFIDENTIALITY NOTICE
THIS DRAWING CONTAINS CONFIDENTIAL INFORMATION AND IS SUPPLIED BY ICONN SYSTEMS, LLC, THE OWNER OF SUCH INFORMATION. IN ACCEPTING THIS DRAWING, THE USER AGREES THAT IT IS FOR THE USER'S SOLE USE, THAT IT WILL NOT BE REPRODUCED OR DISTRIBUTED TO OTHERS, AND THAT THE INFORMATION CONTAINED THEREIN WILL NOT BE USED IN ANY MANNER DETRIMENTAL TO ICONN SYSTEMS.

SIZE **B** DO NOT SCALE THIS DRAWING

DRAWING SCALE: **1:1**

DRAWING NUMBER:	IMATE 28 PANEL RECEPTACLE TEMPLATE	REV. B
DRAWING TYPE:	SALES	SHEET: 1 OF 1

