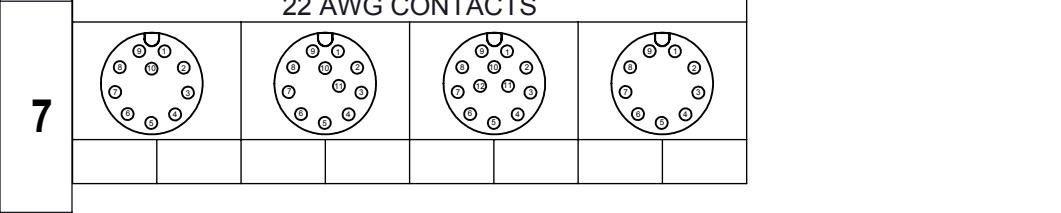
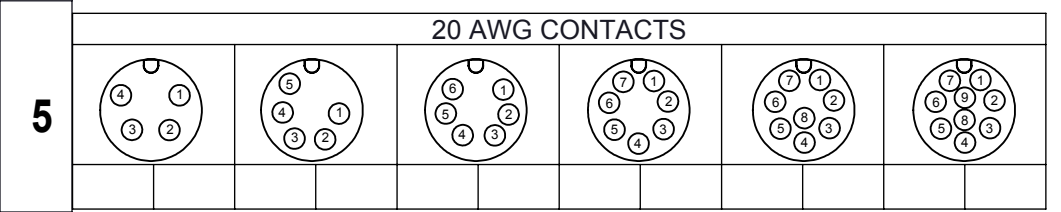
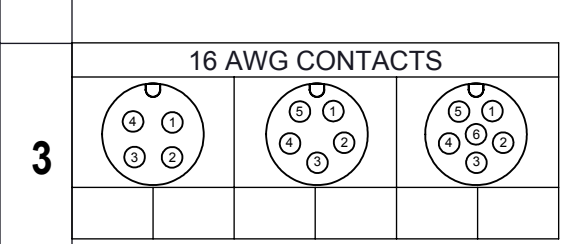


2

INDICATE END "A" / "B"



8

CABLE SPECIFICATION

CABLE MFG: _____

PART #: _____

JACKET COLOR: _____

JACKET MATERIAL: _____

CONDUCTOR SIZE: _____

STRANDING: _____

TINNED/BARE: _____

OF CONDUCTORS: _____

CONDUCTOR INSULATION: _____

SHIELD: _____

DRAIN: _____

VOLTS: _____

UL: _____

CSA: _____

OTHER: _____

SPECIAL REQUIREMENTS:

OVERMOLD MATERIAL: _____ I.P. RATING: _____

OVERMOLD COLOR: _____ UV RESIST: - YES / NO

WIRE COLOR CODE END "A"

1	2	3	4	5	6	7	8
---	---	---	---	---	---	---	---

WIRE COLOR CODE END "B"

1	2	3	4	5	6	7	8
---	---	---	---	---	---	---	---

NOTES:

IN-LINE PIN OUTS REVERSED

INSERTS FACE VIEWS ARE SHOWN

* AVAILABLE PLUG W/SOCKETS ONLY

ALL DIMENSIONS ARE SPECIFIED IN:

IN [MM]

TOLERANCES UNLESS OTHERWISE SPECIFIED:

ENGLISH .XX = ±.01 IN .XXX = ±.005 IN

METRIC .X = ±.2 MM .XX = ±.10 MM

FRACTIONAL = ±1/64" ALL ANGLES = ±1°

CONFIDENTIALITY NOTICE

THIS DRAWING CONTAINS CONFIDENTIAL INFORMATION AND IS SUPPLIED BY ICONN SYSTEMS, LLC. THE OWNER OF SUCH INFORMATION. IN ACCEPTING THIS DRAWING, THE USER AGREES THAT IT IS FOR THE USER'S SOLE USE, THAT IT WILL NOT BE REPRODUCED OR DISTRIBUTED TO OTHERS, AND THAT THE INFORMATION CONTAINED THEREIN WILL NOT BE USED IN ANY MANNER DETRIMENTAL TO ICONN SYSTEMS.

PACKAGING SPECS:

- IF LENGTH IS < 3FT. CABLE IS BUNDLED
- IF LENGTH IS > 3FT. CABLE IS COILED WITH I.D. = 5" (UNLESS OTHERWISE SPECIFIED)

DESIGNED BY: A.ALSAADI DATE: 4-4-17

DESIGN APPROVED BY: T.CZYZ DATE: 4-4-17

DRAFTED BY: A.ALSAADI DATE: 4-4-17

CHECKED BY: T.CZYZ DATE: 4-4-17

SIZE: **B** DO NOT SCALE THIS DRAWING

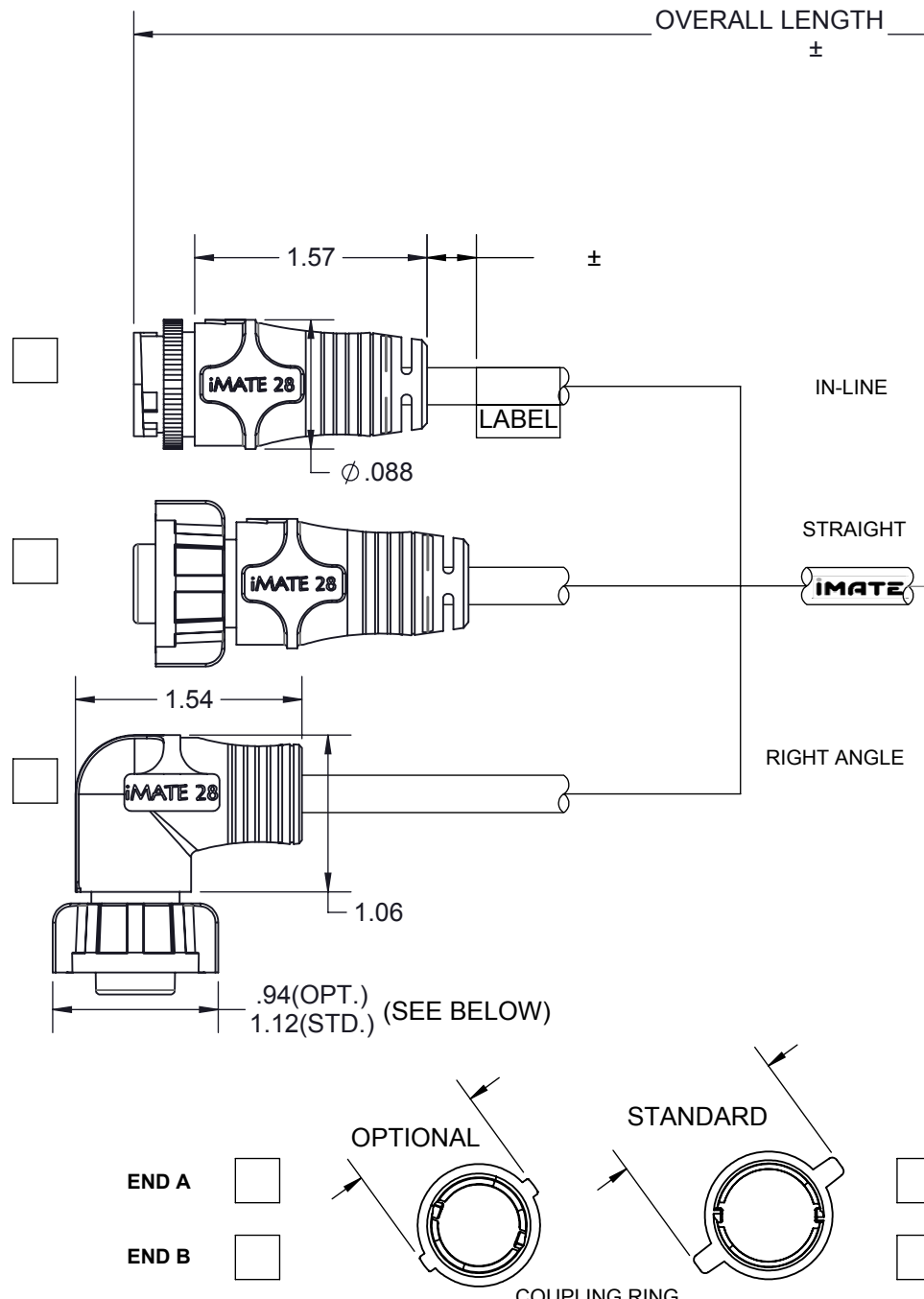
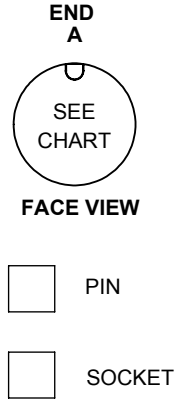
DRAWING SCALE: **8:1**

DRAWING TITLE: **IMATE 28 SALES OPTIONS**

DRAWING NUMBER: **IMATE 28 TEMPLATE**

DRAWING TYPE: SALES SHEET: 1 OF 1

REV. **B**



TIN:

YES

NO

LABEL:

FLAG

WRAP AROUND

NONE REQUIRED

END B

SEE CHART

FACE VIEW

PIN

SOCKET

SECONDARY INTERCONNECTION (SEE BELOW)

WIRING TABLE LEGEND:

N/T = NOT TERMINATED, N/C = NO CONTACT, M/C = MOLDED CLOSED