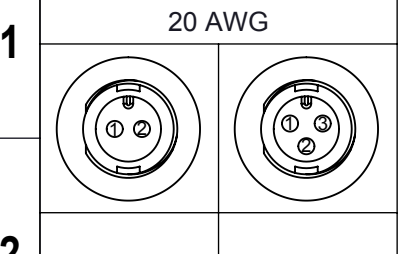
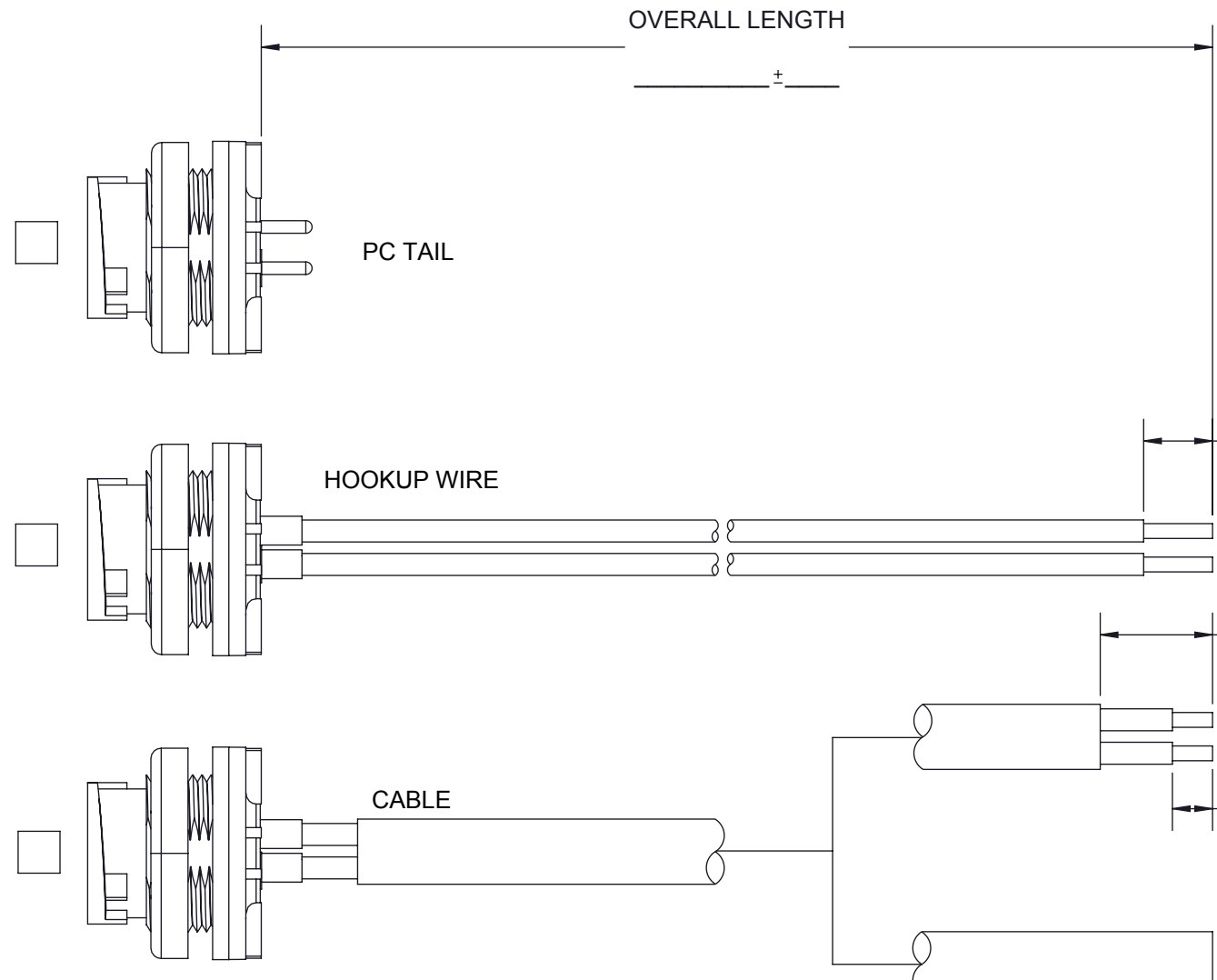


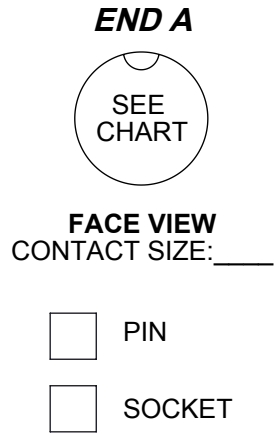
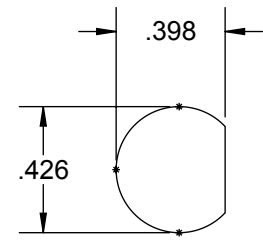
A B C D E F G H I J



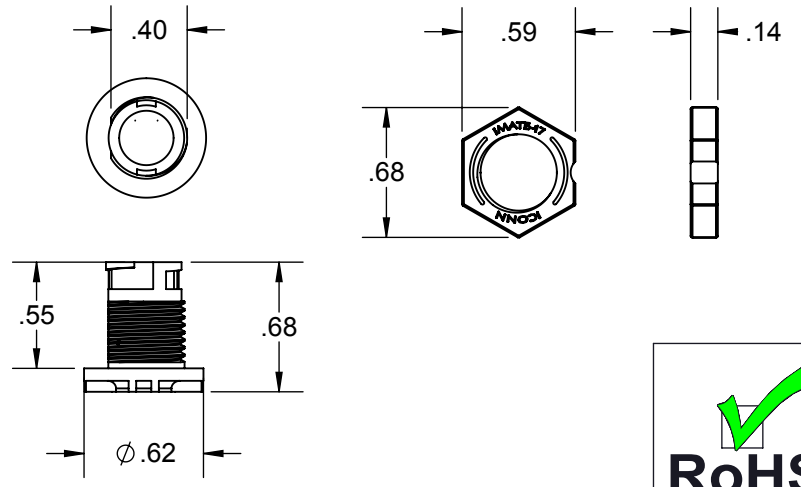
- NOTES:**
- 3/16" MAX MOUNTING PANEL THICKNESS
  - MATERIALS:**
    - NSERT: GE VALOX 420 SEO PBT 30% GF PBT, UL94V0,
    - BLACK GASKET: NEOPRENE RUBBER 60 5 DUROMETER
    - JAM NUT: GE VALOX 420 SEO PBT 30% GF, UL94V0, BLACK
  - PRODUCT PERFORMANCE:**
    - SEALING: UP TO IP68 RATING
    - VOLTAGE: UP TO 600V
    - AMP CAPACITY: 7.5A / 20AWG, 5A / 22 AWG



**RECOMMENDED MOUNTING HOLE**



7	CABLE MFG:
	PART #:
	JACKET COLOR:
	JACKET MATERIAL:
	CONDUCTOR SIZE:
	STRANDING:
	TINNED/BARE:
8	# OF CONDUCTORS:
	CONDUCTOR INSULATION:
	SHIELD:
	DRAIN:
	VOLTS:
9	UL:
	CSA:
	OTHER:



**REQUIRED SECONDARY INTERCONNECTIONS:**

ALL DIMENSIONS ARE SPECIFIED IN:  
IN [MM]

TOLERANCES UNLESS OTHERWISE SPECIFIED:  
ENGLISH .XX = ±.02 IN .XXX = ±.010 IN  
METRIC .X = ±.5 MM .XX = ±.25 MM

FRACTIONAL = ±1/32" ALL ANGLES = ±10°

THIRD ANGLE PROJECTION

DESIGNED BY:	J.REGOLE	DATE:	5-8-10
DESIGN APPROVED BY:	T.CZYZ	DATE:	7-3-10
DRAFTED BY:	J.REGOLE	DATE:	1-8-15
CHECKED BY:	J.JEFFERY	DATE:	1-8-15

**iconn** an R2M co. SYSTEMS, LLC  
1110 N. GARFIELD ST. LOMBARD, IL 60148  
TEL: (630) 827-6000 FAX: (630) 827-6006  
[ICONNSYSTEMS.COM](http://ICONNSYSTEMS.COM)

**CONFIDENTIALITY NOTICE**

THIS DRAWING CONTAINS CONFIDENTIAL INFORMATION AND IS SUPPLIED BY ICONN SYSTEMS, LLC, THE OWNER OF SUCH INFORMATION. IN ACCEPTING THIS DRAWING, THE USER AGREES THAT IT IS FOR THE USER'S SOLE USE, THAT IT WILL NOT BE REPRODUCED OR DISTRIBUTED TO OTHERS, AND THAT THE INFORMATION CONTAINED THEREIN WILL NOT BE USED IN ANY MANNER DETRIMENTAL TO ICONN SYSTEMS.

SIZE	<b>B</b>	DO NOT SCALE THIS DRAWING	DRAWING SCALE:	<b>1:1</b>
------	----------	---------------------------	----------------	------------

DRAWING TITLE:		<b>IMATE 17 PANEL RECEPTACLE SALES OPTIONS</b>	
DRAWING NUMBER:	IMATE 17 PANEL RECEPTACLE TEMPLATE		REV. <b>A</b>
DRAWING TYPE:	SALES	SHEET:	1 OF 1



**END A WIRING TABLE**

POSITION	1	2
COLOR		

WIRING TABLE LEGEND:  
N/T = NOT TERMINATED, N/C = NO CONTACT, M/C = MOLDED CLOSED