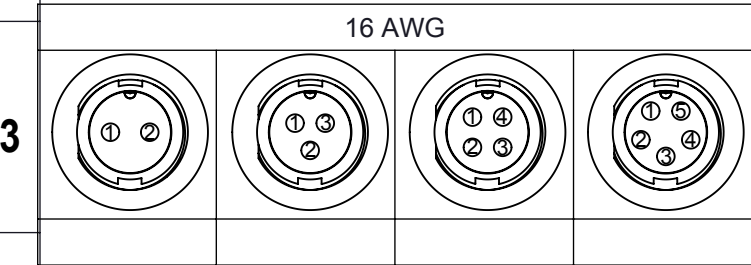
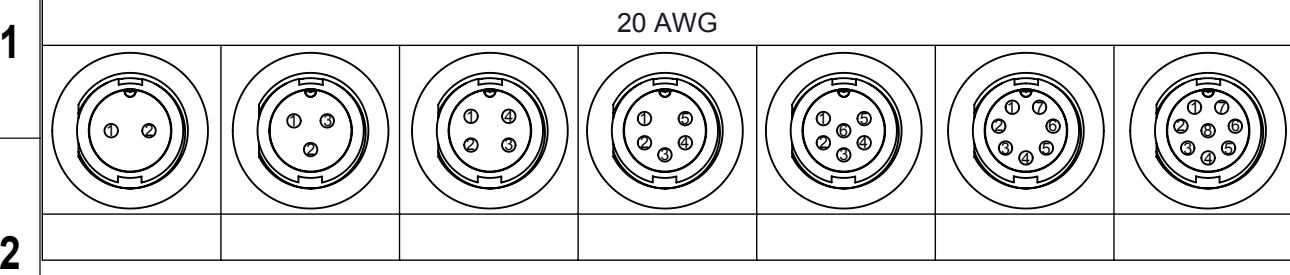
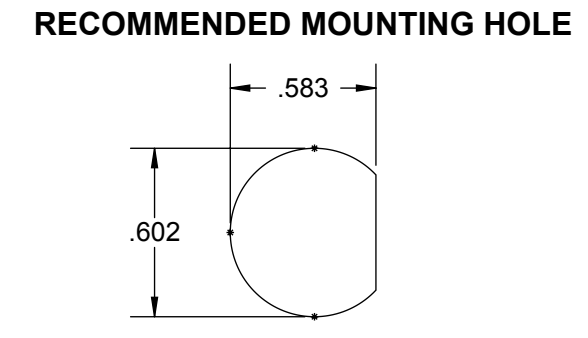
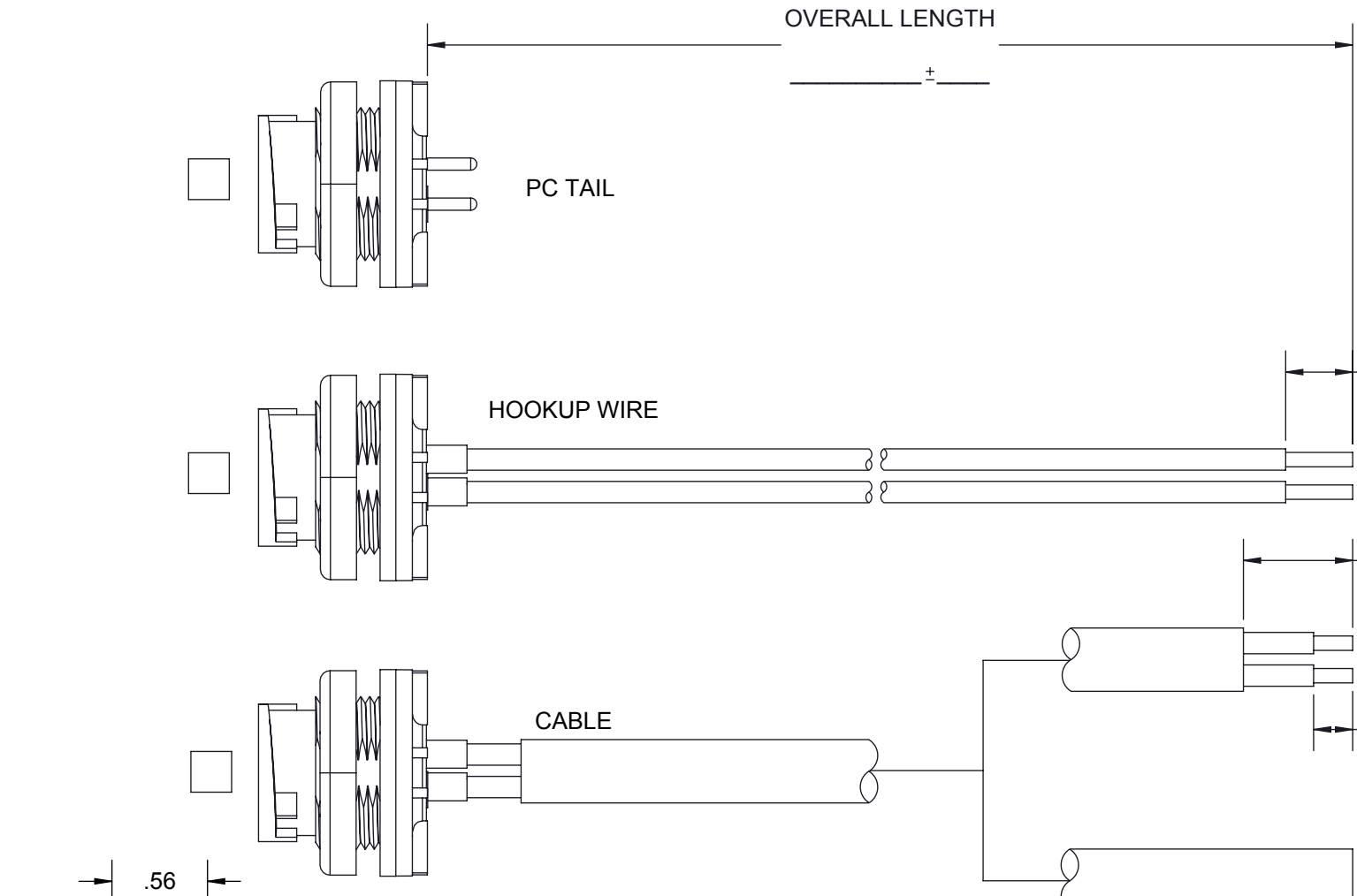
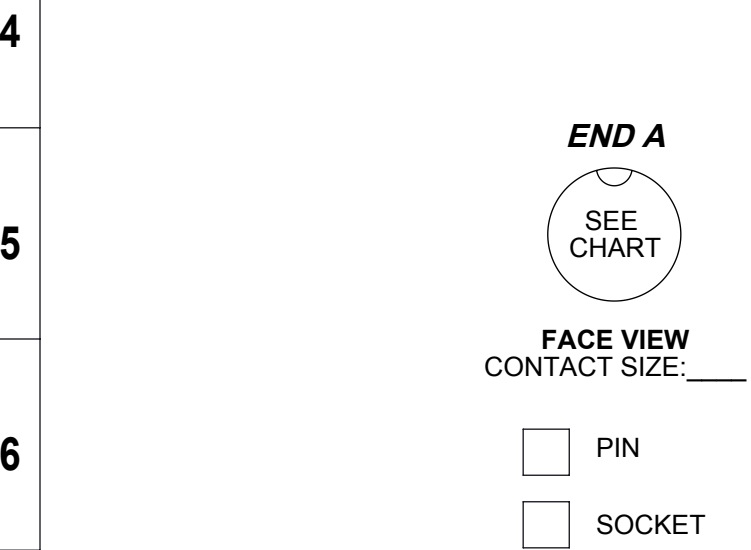


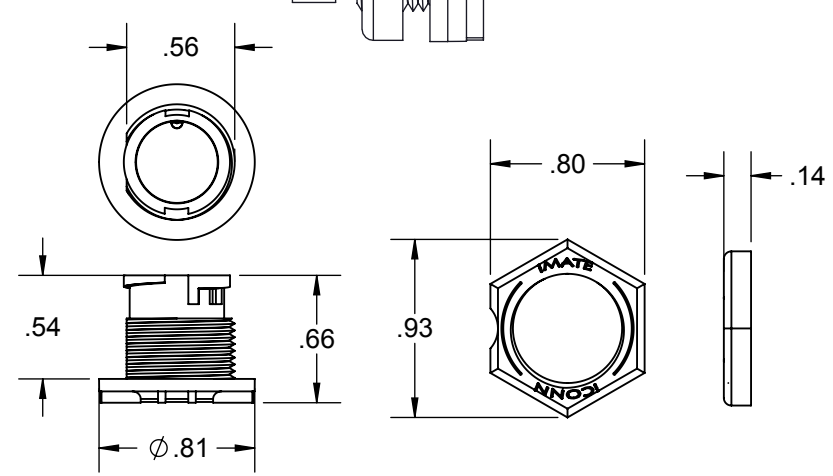
A B C D E F G H I J



- NOTES:**
- 3/16" MAX MOUNTING PANEL THICKNESS
 - MATERIALS:**
 - NSERT: GE VALOX 420 SEO PBT 30% GF PBT, UL94V0,
 - BLACK GASKET: NEOPRENE RUBBER 60 5 DUROMETER
 - JAM NUT: GE VALOX 420 SEO PBT 30% GF, UL94V0, BLACK
 - PRODUCT PERFORMANCE:**
 - SEALING: UP TO IP68 RATING
 - VOLTAGE: UP TO 600V
 - AMP CAPACITY: 16A / 16AWG, 7.5A / 20AWG, 5A / 22 AWG



CABLE MFG:	
PART #:	
JACKET COLOR:	
JACKET MATERIAL:	
CONDUCTOR SIZE:	
STRANDING:	
TINNED/BARE:	
# OF CONDUCTORS:	
CONDUCTOR INSULATION:	
SHIELD:	
DRAIN:	
VOLTS:	
UL:	
CSA:	
OTHER:	



REQUIRED SECONDARY INTERCONNECTIONS:

ALL DIMENSIONS ARE SPECIFIED IN:
IN [MM]

TOLERANCES UNLESS OTHERWISE SPECIFIED:
ENGLISH .XX = ±.02 IN .XXX = ±.010 IN
METRIC .X = ±.5 MM .XX = ±.25 MM

FRACTIONAL = ±1/32" ALL ANGLES = ±10°

THIRD ANGLE PROJECTION

DESIGNED BY:	J.REGOLE	DATE:	5-8-10
DESIGN APPROVED BY:	T.CZYZ	DATE:	7-3-10
DRAFTED BY:	J.REGOLE	DATE:	1-8-15
CHECKED BY:	J.JEFFERY	DATE:	1-8-15

iconn an R2M co. SYSTEMS, LLC
1110 N. GARFIELD ST. LOMBARD, IL 60148
TEL: (630) 827-6000 FAX: (630) 827-6006
ICONNSYSTEMS.COM

END A WIRING TABLE

POSITION	1	2	3	4	5	6	7	8
COLOR								



CONFIDENTIALITY NOTICE

THIS DRAWING CONTAINS CONFIDENTIAL INFORMATION AND IS SUPPLIED BY ICONN SYSTEMS, LLC, THE OWNER OF SUCH INFORMATION. IN ACCEPTING THIS DRAWING, THE USER AGREES THAT IT IS FOR THE USER'S SOLE USE, THAT IT WILL NOT BE REPRODUCED OR DISTRIBUTED TO OTHERS, AND THAT THE INFORMATION CONTAINED THEREIN WILL NOT BE USED IN ANY MANNER DETRIMENTAL TO ICONN SYSTEMS.

SIZE	B	DO NOT SCALE THIS DRAWING	DRAWING SCALE:	1:1
------	----------	---------------------------	----------------	------------

DRAWING TITLE:
IMATE 23 PANEL RECEPTACLE SALES OPTIONS

DRAWING NUMBER:	IMATE 23 PANEL RECEPTACLE TEMPLATE	REV.	A
DRAWING TYPE:	SALES	SHEET:	1 OF 1

WIRING TABLE LEGEND:
N/T = NOT TERMINATED, N/C = NO CONTACT, M/C = MOLDED CLOSED