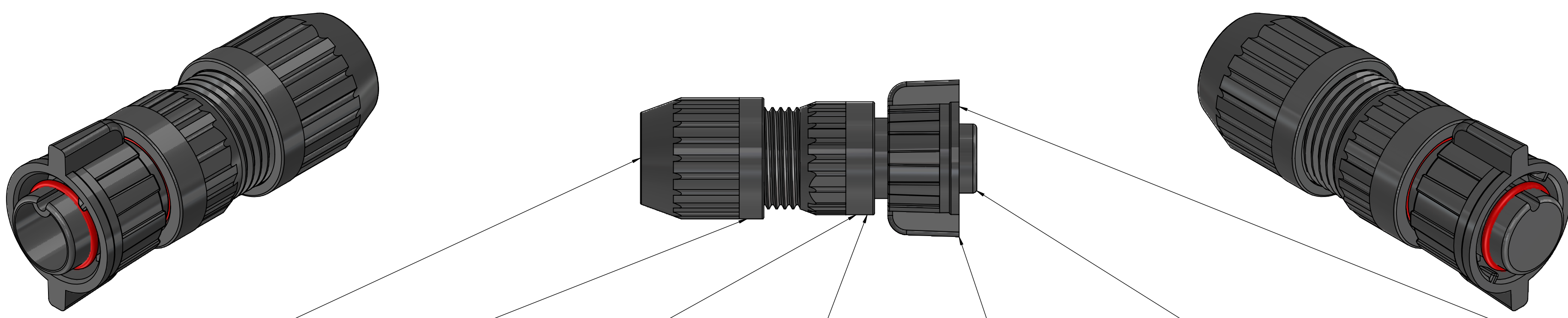
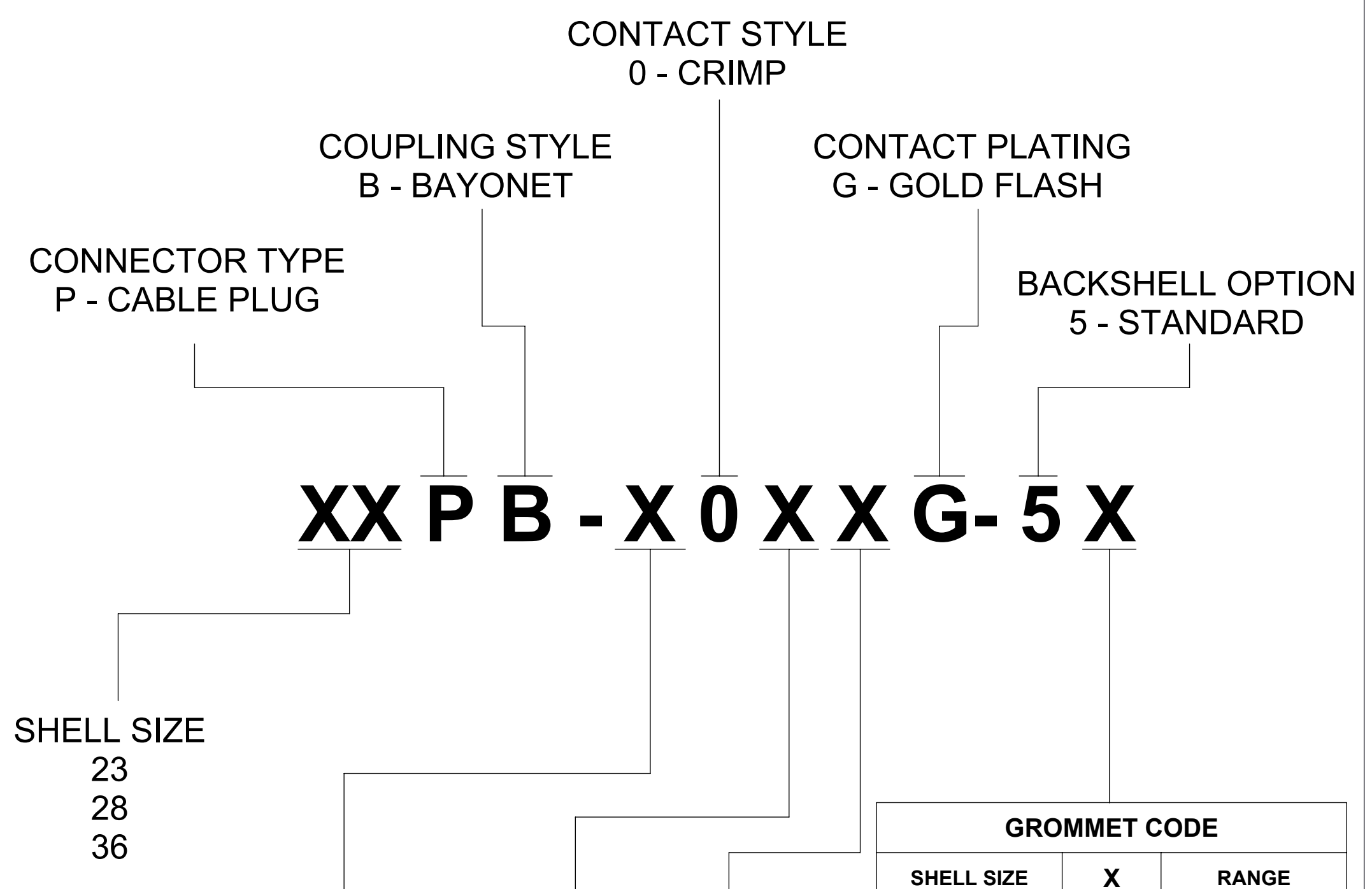


A B C D E F G H I J

1  
2  
3  
4  
5  
6  
7  
8  
9  
10



**iMATE PART NUMBER CODE LOGIC**

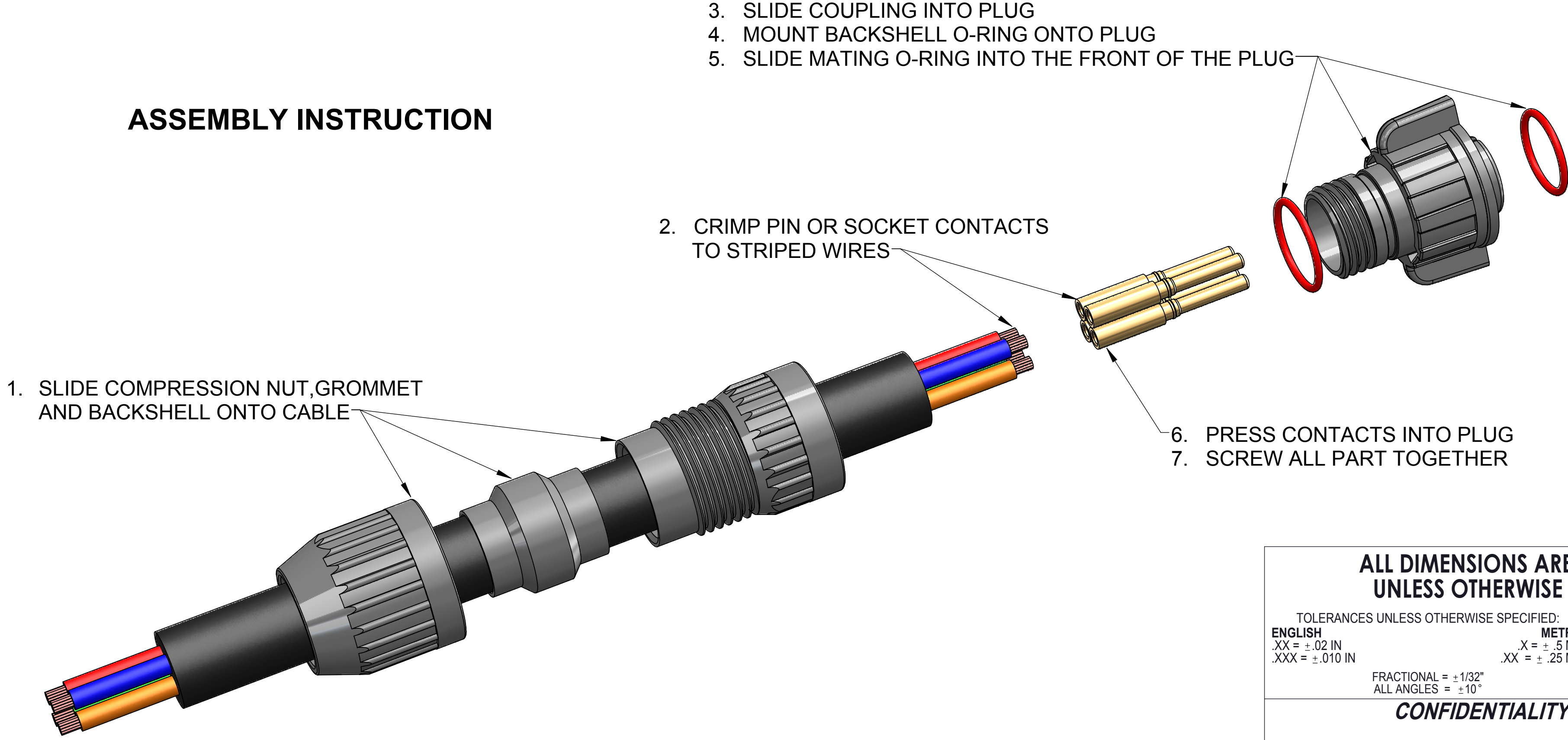


**XXPB-X0XXG-5X**

3	iMATE SIZE								
4	23 28 36	COMPRESSION NUT	GROMMET (SEE CODE LOGIC)	BACKSHELL	BACKSHELL O-RING	COUPLING RING	PLUG (SEE SHEET TWO)	PIN OR SOCKET CONTACTS	MATING O-RING
5	MATERIAL	G.F. PBT	SANTOPRENE	G.F. PBT	SILICONE	G.F. PBT	G.F. PBT	BRASS (GOLD PLATED)	SILICONE

GROMMET CODE		
SHELL SIZE	X	RANGE
23 - 28	A	.062 - .150
23 - 28	B	.150 - .200
23 - 28	C	.200 - .250
23 - 28 - 36	D	.250 - .300
23 - 28 - 36	E	.300 - .350
23 - 28 - 36	F	.350 - .400
36	G	.400 - .450
36	H	.450 - .500
36	J	.500 - .550
36	K	.550 - .600
36	L	.600 - .650

**ASSEMBLY INSTRUCTION**



- NOTES:  
 1. CONTACT ICONN SYSTEMS FOR TERMINATION AND CONTACT INSERTION INFORMATION  
 2. ASSEMBLY INSTRUCTION SHEET INCLUDED WITH PRODUCT  
 3. ASSEMBLY MEETS IP67 WHEN FOLLOWING PROVIDED INSTRUCTIONS

**ALL DIMENSIONS ARE IN INCHES UNLESS OTHERWISE SPECIFIED**

TOLERANCES UNLESS OTHERWISE SPECIFIED:  
 ENGLISH .XX = ±.02 IN .XXX = ±.010 IN  
 METRIC .X = ±.5 MM .XX = ±.25 MM

FRACTIONAL = ±1/32" ALL ANGLES = ±10°

THIRD ANGLE PROJECTION

**CONFIDENTIALITY NOTICE**

THIS DRAWING CONTAINS CONFIDENTIAL INFORMATION AND IS SUPPLIED BY ICONN SYSTEMS, LLC, THE OWNER OF SUCH INFORMATION. IN ACCEPTING THIS DRAWING, THE USER AGREES THAT IT IS FOR THE USER'S SOLE USE, THAT IT WILL NOT BE REPRODUCED OR DISTRIBUTED TO OTHERS, AND THAT THE INFORMATION CONTAINED THEREIN WILL NOT BE USED IN ANY MANNER DETRIMENTAL TO ICONN SYSTEMS.



DESIGNED BY: A.ALSAADI	DATE: 11-21-17
DESIGN APPROVED BY: T.CZYZ	DATE: 11-21-17
DRAFTED BY: A.ALSAADI	DATE: 11-21-17
CHECKED BY: T.CZYZ	DATE: 11-21-17
SIZE <b>B</b>	DO NOT SCALE THIS DRAWING
DRAWING SCALE: <b>2:1</b>	

A	AA	11/21/2017	DRAWING CREATED
REV.	BY	ZONE	ECN DATE
DESCRIPTION			
REVISIONS			
1110 N. GARFIELD ST. LOMBARD, IL 60148 TEL: (630) 827-6000 FAX: (630) 827-6006 <a href="http://ICONNSYSTEMS.COM">ICONNSYSTEMS.COM</a>			
DRAWING TITLE:			
<b>iMATE 23, 28, 36 FIELD INSTALLABLE CONNECTOR ASSY</b>			
DRAWING NUMBER:			REV.
<b>XXPB-X0XXG-5X</b>			<b>A</b>
DRAWING TYPE: SALES		SHEET: 1	OF 2



A

B

C

D

E

F

G

H

I

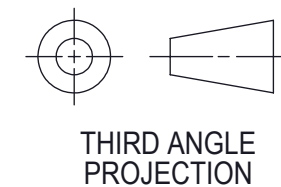
J

### PLUG CONFIGURATION TABLE

iMATE SIZE	CONTACT SIZE	FEMALE PLUGS (SOCKET)	MALE PLUGS (PIN)
iMATE 23	16AWG		
	20AWG		
iMATE 28	12AWG		
	16AWG		
	20AWG		
iMATE 36	12AWG		
	16 AWG		
	20 AWG		

ALL DIMENSIONS ARE IN INCHES  
UNLESS OTHERWISE SPECIFIED

TOLERANCES UNLESS OTHERWISE SPECIFIED:  
**ENGLISH**  
 .XX = ±.02 IN  
 .XXX = ±.010 IN  
**METRIC**  
 .X = ±.5 MM  
 .XX = ±.25 MM  
 FRACTIONAL = ±1/32"  
 ALL ANGLES = ±10°



THIRD ANGLE  
PROJECTION

#### CONFIDENTIALITY NOTICE

THIS DRAWING CONTAINS CONFIDENTIAL INFORMATION AND IS SUPPLIED BY ICONN SYSTEMS, LLC. THE OWNER OF SUCH INFORMATION. IN ACCEPTING THIS DRAWING, THE USER AGREES THAT IT IS FOR THE USER'S SOLE USE, THAT IT WILL NOT BE REPRODUCED OR DISTRIBUTED TO OTHERS, AND THAT THE INFORMATION CONTAINED THEREIN WILL NOT BE USED IN ANY MANNER DETRIMENTAL TO ICONN SYSTEMS.



RoHS

DESIGNED BY:

A.ALSAADI

DATE:

11-21-17

DESIGN APPROVED BY:

T.CZYZ

DATE:

11-21-17

DRAFTED BY:

A.ALSAADI

DATE:

11-21-17

CHECKED BY:

T.CZYZ

DATE:

11-21-17

SIZE

**B**

DO NOT  
SCALE  
THIS  
DRAWING

DRAWING SCALE:

**2:1**



DRAWING TITLE:

**iMATE 23, 28, 36 FIELD  
INSTALLABLE CONNECTOR ASSY**

DRAWING NUMBER:

**XXPB-X0XXG-5X**

REV.

**A**

DRAWING TYPE: SALES

SHEET: 2 OF 2