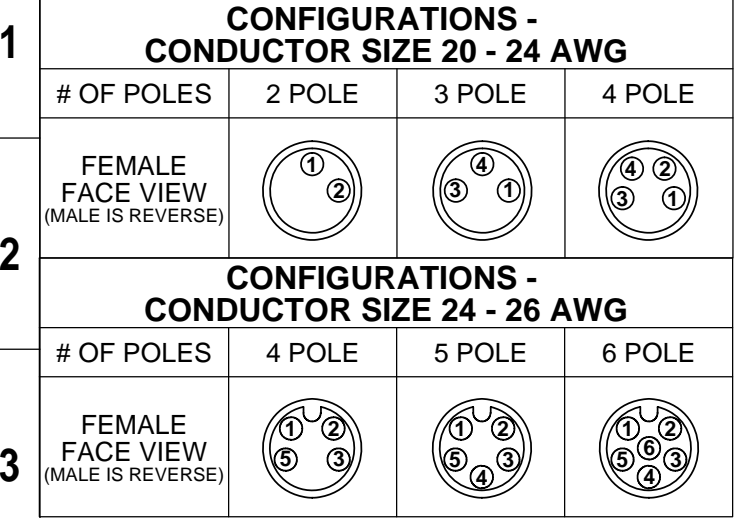


PACKAGING NOTE:  
 1. IF LENGTH IS < 3FT, CABLE IS BUNDLED  
 2. IF LENGTH IS > 3FT, CABLE IS COILED WITH I.D. = 5" (UNLESS OTHERWISE NOTED)



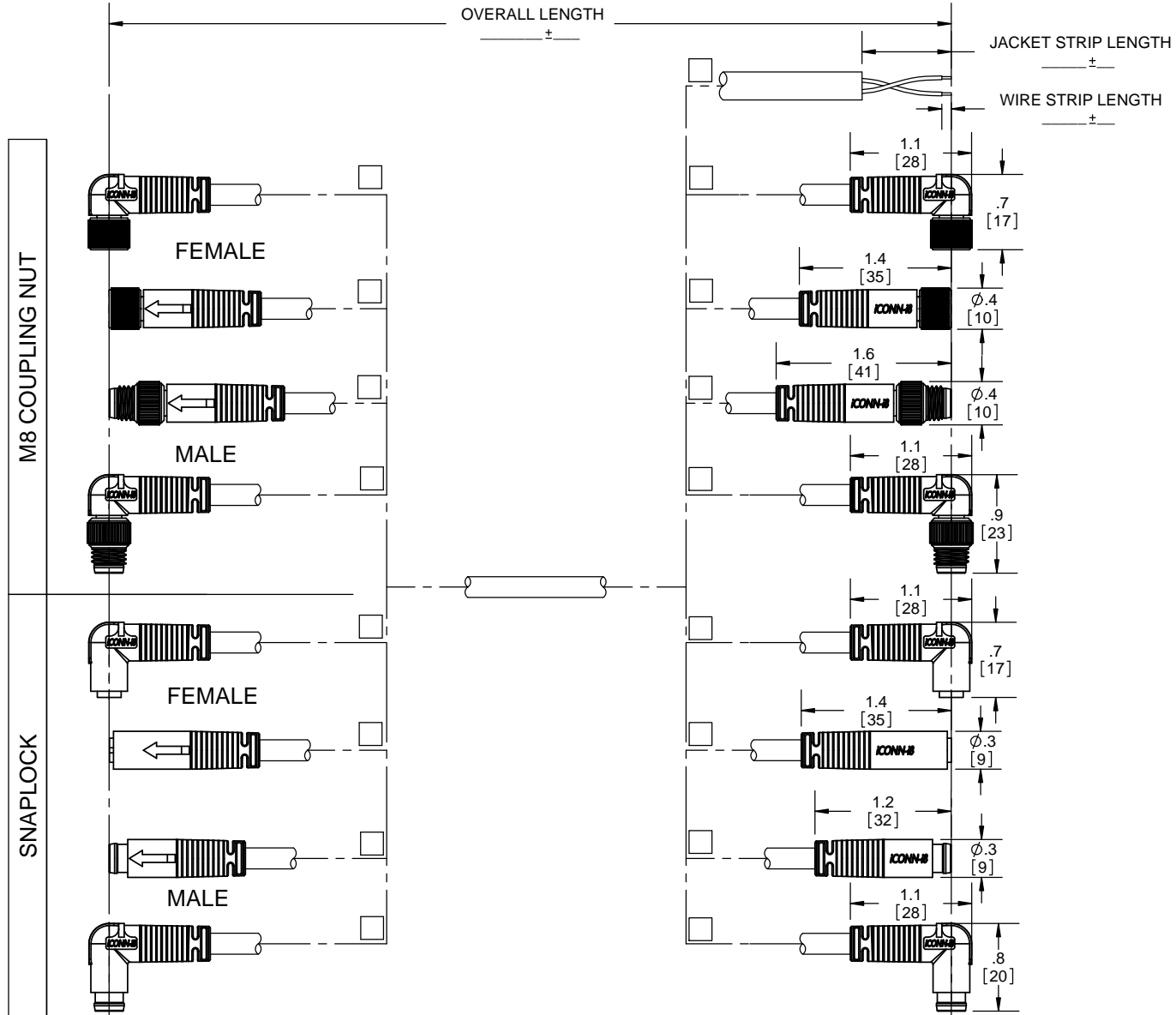
4 NOTES:

5

6

7

END A



PACKAGING SPECS:

8	CABLE SPECIFICATION	SPECIAL REQUIREMENTS:											
	CABLE MFG:	OVERMOLD MATERIAL: _____ I.P. RATING: _____											
	PART NO:												
	JACKET COLOR:	OVERMOLD COLOR: _____ UV RESIST: YES / NO											
	JACKET MATERIAL:												
	CONDUCTOR SIZE:	WIRE COLOR CODE END "A"											
	STRANDING:												
	TINNED / BARE:	1	2	3	4	5	6	7	8	9	10	11	12
9	# OF CONDUCTORS:												
	CONDUCTOR INSULATION:												
	SHIELD												
	DRAIN												
	VOLTS:												
	US:	1	2	3	4	5	6	7	8	9	10	11	12
	CSA:												
10	OTHER												

WIRE COLOR CODE END "A"											
1	2	3	4	5	6	7	8	9	10	11	12
WIRE COLOR CODE END "B"											
1	2	3	4	5	6	7	8	9	10	11	12

REQUIRED SECONDARY INTERCONNECTIONS:

ALL DIMENSIONS ARE SPECIFIED IN:  
 IN [MM]

TOLERANCES UNLESS OTHERWISE SPECIFIED:  
 ENGLISH .XX = ±.02 IN .XXX = ±.010 IN  
 METRIC .X = ±.5 MM .XX = ±.25 MM

FRACTIONAL = ±1/32" ALL ANGLES = ±2°

THIRD ANGLE PROJECTION

**CONFIDENTIALITY NOTICE**

THIS DRAWING CONTAINS CONFIDENTIAL INFORMATION AND IS SUPPLIED BY ICONN SYSTEMS, LLC. THE OWNER OF SUCH INFORMATION. IN ACCEPTING THIS DRAWING, THE USER AGREES THAT IT IS FOR THE USER'S SOLE USE, THAT IT WILL NOT BE REPRODUCED OR DISTRIBUTED TO OTHERS, AND THAT THE INFORMATION CONTAINED THEREIN WILL NOT BE USED IN ANY MANNER DETRIMENTAL TO ICONN SYSTEMS.

DESIGNED BY: X.XXXXX	DATE: XX-XX-XX
DESIGN APPROVED BY: X.XXXXX	DATE: XX-XX-XX
DRAFTED BY: X.XXXXX	DATE: XX-XX-XX
CHECKED BY: X.XXXXX	DATE: XX-XX-XX
SIZE <b>B</b>	DO NOT SCALE THIS DRAWING
DRAWING SCALE: <b>1:1</b>	

1110 N. GARFIELD ST. LOMBARD, IL 60148  
 TEL: (630) 827-6000 FAX: (630) 827-6006  
**ICONN** SYSTEMS, LLC  
 an R2M co.  
 ICONNSYSTEMS.COM

DRAWING TITLE:  
**i8 CABLE ASSEMBLY SALES TEMPLATE**

DRAWING NUMBER:  
**i8 CABLE TEMPLATE**

DRAWING TYPE: SALES SHEET: 1 OF 1

REV. **A**

WIRING TABLE LEGEND:  
 N/T = NOT TERMINATED, N/C = NO CONTACT, M/C = MOLDED CLOSED