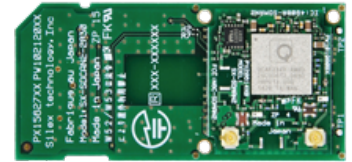


SX-SDCAN2

802.11a/b/g/n 2x2 Wi-Fi Plus Bluetooth



SDIO Wireless Radio Card with MIMO Technology

The Silex SX-SDCAN2 is a dual-band 802.11a/b/g/n plus Bluetooth SDIO card that is based on the SX-SDPAN2 (Qualcomm Atheros AR6234 SiP). The SX-SDCAN2 is mechanically designed in a SD card form factor to provide customers with a vendor independent form factor. It enables customers to evaluate wireless connectivity for the SX-SDMAN2 with the i.MX 6 evaluation platform which includes integrated radio software support (driver and security supplicant).

The SX-SDCAN2 integrates an external 5 GHz Front End Module (FEM) and is individually tuned to optimize WLAN performance. The radio module design approach also saves cost as the SX-SDCAN2 provides FCC/IC/ETSI/TELEC modular certification.

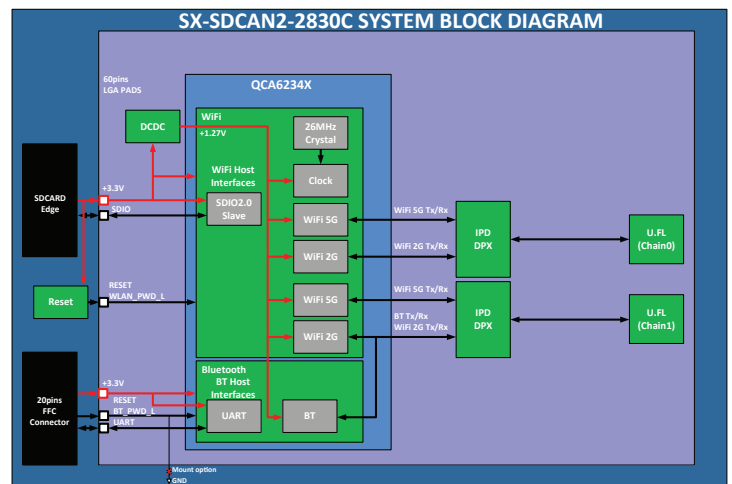
The SX-SDCAN2 provides superior product quality. Silex has validated that our design meets IEEE standards and each module is individually tested during the production process. This ensures that each of our products will perform to our published specification.

In order to expedite your product development process, Silex can provide both hardware and software engineering services including custom driver development, as well as turnkey product design and manufacturing.

Key Features:

- IEEE 802.11a/b/g/n conformity (2.4 GHz & 5 GHz)
- 2 x 2 MIMO technology and 40 MHz bandwidth mode for 5 GHz
- Data rates upto 300Mbps
- Supports IEEE 802.11e, IEEE 802.11h and IEEE 802.11i
- Supports SDIO 2.0 as host IF of wireless LAN
- Supports Bluetooth 4.0 + LE dual mode
- Supports antenna diversity
- Supports UART and USB as the host IF of Bluetooth
- Calibrated Tx Power per module
- FCC/IC/ETSI/TELEC modular certification
- SD card form factor

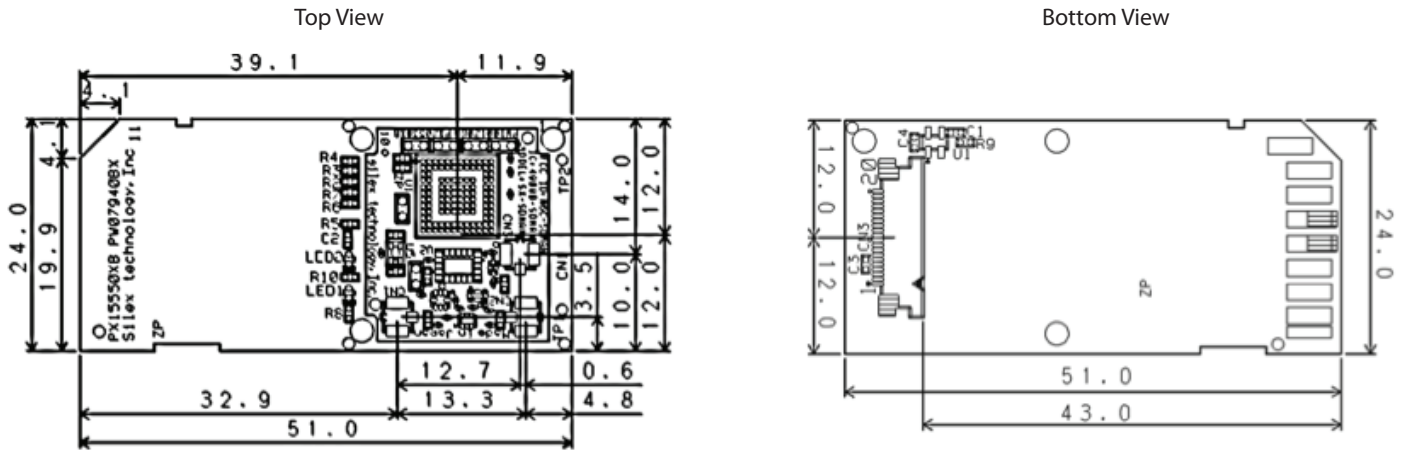
Diagram:



Specifications:

Product Name	SX-SDCAN2-2830
Chipset	Qualcomm Atheros AR6234
Host Interface	SDIO V 2.0 (4-bit, 1-bit)
Operating Voltage	3.30 VDC +/- 5%
Radio Specifications	802.11b/g/n 2.412 - 2.484 GHz 802.11a/n 5.18 - 5.825 GHz
Baseband Specifications	CSMA/CA media access; DSSS, OFDM
Bluetooth Specifications	BT3.0+HS, BT4.0, Class 1.5
Dimensions	24.0 x 51.0 x 5.8 mm (W x H x D)
Connector Type	SD Card Edge 9 Pins FFC Connector 20 Pins
Antenna Connectors	U.FL Alternative connector x 2

Dimensions and Architecture



All dimension tolerances are ± 0.15 mm, unless otherwise specified.

General Specifications

- On-Chip Functionality: Single-chip MAC/BB/RF/PA/LNA
- Frequency Band: 2.4 GHz / 5 GHz
- Network Standard: 802.11a, 802.11b, 802.11g, 802.11n (1-stream)
- Modulation Modes: OFDM (64QAM, 16QAM, QPSK, BPSK), DSSS (CCK, DQPSK, DBPSK), DSSS-OFDM (64QAM, 16QAM, QPSK, BPSK)
- Hardware Encryption: WEP, WPA/WPA2 (TKIP/AES-CCMP), WAPI
- Quality of Service (QoS): WMM, WMM-PS, 802.11e

Interfaces

- Communications: SDIO 2.0
- Supported Data Rates:
 - IEEE 802.11b 1-11 Mbps
 - IEEE 802.11g 6-54 Mbps
 - IEEE 802.11a 6-54 Mbps
 - IEEE 802.11n HT20 13 - 144.4 Mbps (2x2)
 - IEEE 802.11n HT40 27 - 300.0 Mbps (2x2)
- Bluetooth: BDR/EDR/LE
- Physical Specifications: 24.0 x 51.0 x 5.8 mm (W x H x D)

Driver Support

- Reference Drivers:**
- Linux
 - Kernel Version 3.10.17
 - Windows

Ordering Information

- SX-SDCAN2-2830: Bulk Package
- SX-SDCAN2-2830-SP: Sample Pack

silex technology is a registered trademark of silex technology, Inc. Other product or brand names may be registered trademarks or trademarks of their respective owners. Technical information and specifications are subject to change without notice. © 2015 silex technology, Inc. All rights reserved.

silex global sales & support locations