

# DWDM Optical Time Domain Reflectometer (OTDR)



DWDM\_OTDR\_09092019



The NT2-210019 is a Tunable DWDM OTDR with 97.5 wavelengths from the C-Band spectrum. These 97.5 wavelengths are available in a single hand-held, tunable OTDR. The ODTR also operates as Tunable Light source with 6 dB power output range. Use the ODTR for commissioning and troubleshooting DWDM Metro Ethernet Networks.

This OTDs offer features and options include auto pass/fail connector end face testing with video scope and probe, broadband power meter, CW source and VFL.

## Features

- Tunable ODTR with 97.5 C-Band wavelengths
- Tunable cw/pulsed laser source with 50/100GHz spacing
- Touch screen operation
- Fib-R-View auto pass/fail/centering fiber inspector
- Fib-R-Map comprehensive event analysis
- 97.5 channel TLS (14-62.5) on the ITU grid
- 35 dB ODTR dynamic range
- 10 hour Li-ion battery pack
- Bidirectional analysis
- Bluetooth Android tablet operation
- Report generating software included

## Applications

- Fiber characterization in DWDM networks
- Verify ROADM channel routing
- Wavelength provisioning
- Test through OADMs
- In service DWDM network trouble shooting
- Test through MUX/DeMUX channels
- CBH antenna feeds

<b>OTDR</b>	One-Touch auto test will test up to 97.5 DWDM wavelengths, automatic pass/fail summary with Fib-R-Map Trace Analysis test through MUX/DeMUX units at up to 97.5 channels on the ITU-T grid
<b>Tunable Laser Source</b>	Use the NT2-210019 as a Tunable Laser Source
<b>Cert-Soft Software</b>	Complete professional network documentation
<b>Video Scope</b>	Auto pass/fail analysis, automatic image centering

## Ordering Information

Part No.	Description
<b>NT2-210019</b>	97.5 wavelength Tunable DWDM OTDR with Tunable Laser Source 1527.59nm - 1566.31nm
<b>NT2-210017</b>	Scope attachment for NT2-20019

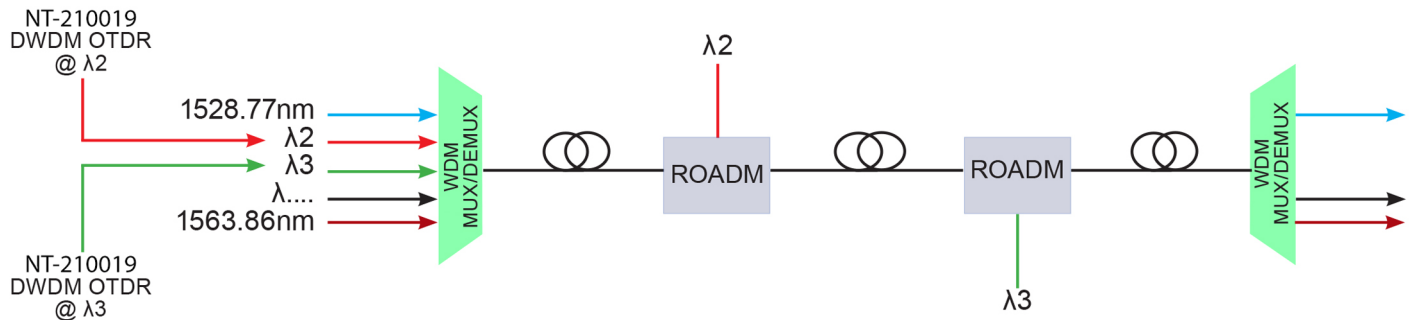
These products may be protected by one or more patents. For further information, please visit: [www.ppc-online.com/patents](http://www.ppc-online.com/patents).

6176 E. Molloy Rd. East Syracuse, NY 13057 U.S.A. • [customerservice@ppc-online.com](mailto:customerservice@ppc-online.com) • 1-800-800-6652 • +1 315-431-7200 • [www.ppc-online.com](http://www.ppc-online.com)

# DWDM Optical Time Domain Reflectometer (OTDR)



## Product Application Drawing



## OTDR Specifications

Standard Wavelengths	1527.59 - 1566.31nm @ 0.4 and 0.8nm Spacing (Channels 14-62.5)
Dynamic Range	35 dB
Pulse Width	5 - 20,000 ns
Units of Measurement	km, kf, mi
Event Dead Zone	1m
Attenuation Dead Zone	4m
Resolution	.125 - 32m
Distance Uncertainty	$\pm(0.75m + 0.005\% \times \text{distance} + \text{sampling resolution})$
Full Scale Distance Range	1-240km SM
Typical Real-Time Refresh Rate	2 Hz
Group Index of Refraction (GIR)	1.024 - 2.048
Linearity	$\pm 0.05$ dB/dB
Memory Capacity (Internal)	~1000

**Note:** Specifications may change without notice.

## TLS Specifications

Frequency Range	191.4 - 196.25 THz (Channels 14-62.5)
Accuracy	1.5 GHz
Line Width	1 MHz
Side Mode Suppression Ration	45 dB
Maximum Output Power	13 dBm (Typ)
Output Power Range	6 dB
Power Setting Resolution	0.01 dB
Power Variation Over Wavelength Range	$\pm 0.5$ dB
Minimum Channel Spacing	50 GHz (0.4nm)
Fiber Type	9/125 $\mu\text{m}$
$\pm$ Relative Intensity Noise	-140 dB/Hz

**Note:** Specifications may change without notice.

These products may be protected by one or more patents. For further information, please visit: [www.ppc-online.com/patents](http://www.ppc-online.com/patents).

6176 E. Molloy Rd. East Syracuse, NY 13057 U.S.A. • [customerservice@ppc-online.com](mailto:customerservice@ppc-online.com) • 1-800-800-6652 • +1 315-431-7200 • [www.ppc-online.com](http://www.ppc-online.com)

# DWDM Optical Time Domain Reflectometer (OTDR)



General Specifications	
Graphical Display	4 in Color Touch Screen
Power Supply/Charger	Input 100-240V 50-60Hz, 0.6A/Output 15V, 1.2A
Battery/Operating Time	Rechargeable Li-Ion/10 hours
Storage Temperature	-20 to 60 °C
Operating Temperature Range	-10 to 40 °C
Dimensions (without rubber boot)	7.75" L x 4.5" W x 2.25" H (197mm L x 114mm W x 57mm H)
Weight	1.7 lbs
Communications/Ports	Bluetooth/USB-PC
Connector Styles	FC, SC Interchangeable
Accessories Provided	Universal power adapter with US, UK, Continental Europe, and Australian plugs, interchangeable FC and SC adapters, Windows/Telcordia SR4731 software, rubber boot and manual on CD, 2 stylus

**Note:** Specifications may change without notice.