

Diamond® Grounding

Dual Ground Lug



The Diamond® Difference™

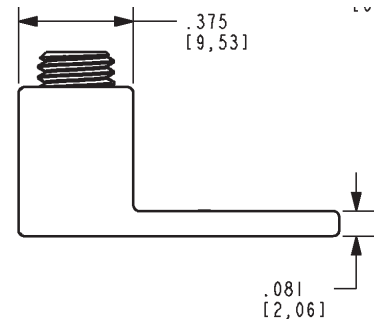
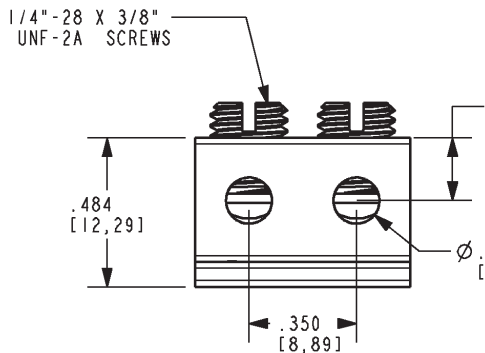
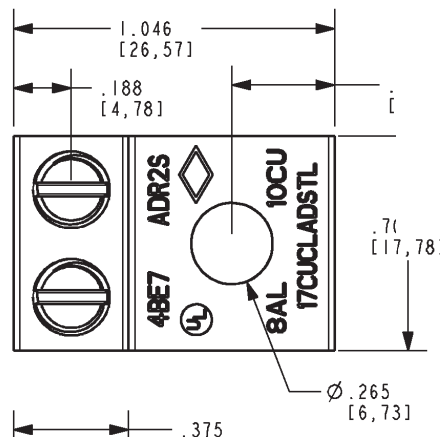
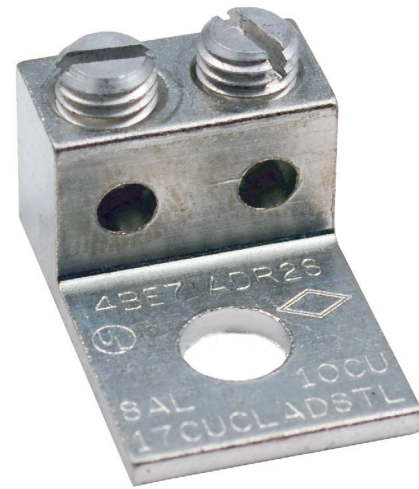
Does Your Hardware Pass the Test of Time?

- superior resistance to corrosion.
- most effective method for small parts
- Eliminates the problem of Hydrogen Embrittlement.

Diamond® Products Stand the Test of Time.

The Belden ADR2S Dual Ground Lug has been specifically designed to meet the requirements for satellite receiver grounding applications.

- Easy installation — no special tools required
- Tin-plated aluminum for low contact resistance
- Slotted screws — aluminum (size 1/4"-28 x 3/8")
- UL Listed for conductors:
 - #8 AWG solid aluminum
 - #10 AWG solid copper
 - #17 AWG copper clad steel
- Screw tightening torque:
 - #8 AWG — 25 in. lbs.
 - #10 AWG — 20 in. lbs.
 - #17 AWG — 20 in. lbs.



Part Numbers	Description	Standard Pack
ADR2S	Dual Ground Lug	50