

Construction Hardware

Feed Thru Bushings 34-08052, 34-08053, 34-08057, 34-08058,
34-08059, 34-08060



The Diamond® Difference™

Does Your Hardware Pass the Test of Time?

The unique, proprietary approach that we have to mechanical galvanizing, and the standards that we insist on for our raw materials, ensure that Diamond parts can withstand corrosive environments for decades, a factor that is important today since replacement costs are so high.

Diamond® Products Stand the Test of Time.

Application

PPC's durable Diamond Feed Thru Bushings are designed to protect the drop cable at its entry point into the customer's premises. These bushings provide a tight seal around the cable as well as add a professional finish to any rough drilled holes created during the installation process.*

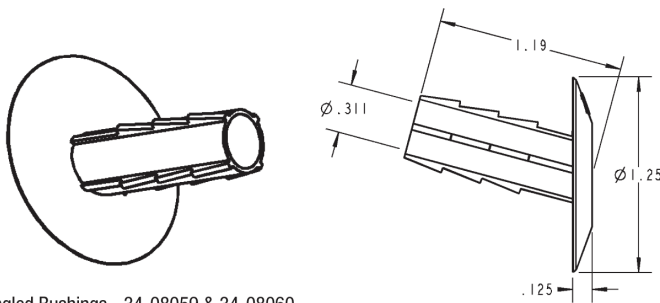
Available in either natural (translucent) or UV resistant black, Belden's range of feed thru bushings are designed for a spectrum of RG6 coaxial cables.

Specifications

- Durable weather-resistant polypropylene.
- Black bushings are resistant to ultraviolet degradation.
- Can be used on a range of construction materials, including masonry and siding.
- Incorporate anti-rotational ribs which help to ensure a

tight secure.

- Angled bushing is installed with its tubular body inclined upwards to help prevent water migrating along the cable and into the customer's premise.



Angled Bushings - 34-08059 & 34-08060



Recommended Diameter of Pre-Drilled Holes

- Bushings for Single RG6 — 3/8"
- Bushings for Dual RG6 — 3/4"

Part Numbers	Description & Cable Size	Color	Cable Tube Dia/ Dim	Outer Dia	Length	Inner Pack	Outer Pack
34-08052	Feed Thru Bushing for single RG6	Black	.312	1.2	1.1	100	1000
34-08053	Feed Thru Bushing for single RG6	Natural	.312	1.2	1.1	100	1000
34-08057	Feed Thru Bushing for dual RG6	Black	.354 x .697	1.2	1.1	100	1000
34-08058	Feed Thru Bushing for dual RG6	Natural	.354 x .697	1.2	1.1	100	1000
34-08059	Angled Feed Thru Bushing for RG6	Black	.312	1.25	1.19	100	1000
34-08060	Angled Feed Thru Bushing for RG6	Natural	.312	1.25	1.19	100	1000

Rev 1