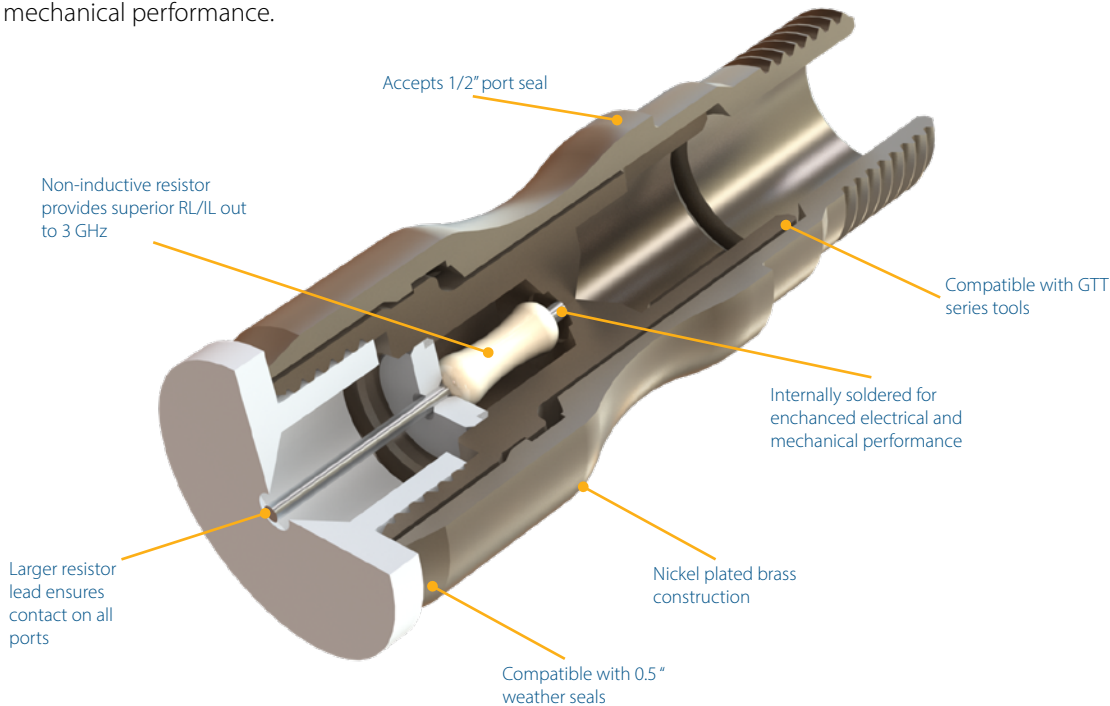


Drop Ancillary

PST75 - 75Ω Locking Terminator



High reliability in a small package. The PST75 Drop Terminator incorporates a variety of enhancements allowing users to terminate, secure and disconnect a drop, while providing superior electrical and mechanical performance.



Specifications	
Return Loss	-30 dB to 3 GHz minimum
Shielding Effectiveness	-120 dB minimum
Corrosion Resistance	meets SCTE and Belcore per ATSM B117 (1000 hour salt fog)
Moisture Migration	Meets SCTE IPS-TP-013 when used with WS500 weather seal (Red-dye moisture migration test)

Meets or Exceeds all SCTE Specifications

Related Products



GTT-7
Locking Terminator Tool



TR75SWS
Deluxe Terminator



PST75I
Locking/Isolation Terminator



PST75IWS
AquaTight/Locking/Isolation Terminator

This product may be protected by one or more patents. For further information, please visit: www.ppc-online.com/patents