

EX[®] Universal Compression Connector

Series 6 - NBN



Overview

Installers are faced with the problem of identifying old, unmarked 60% through Quad-shield Series 6 cable, and having to guess which connector is the best match. This results in unnecessary service calls due to the use of the wrong connector/cable match.

The unique patented design of the EX[®] body achieves true universality on 60% through quad-shield for PE and PVC jackets.

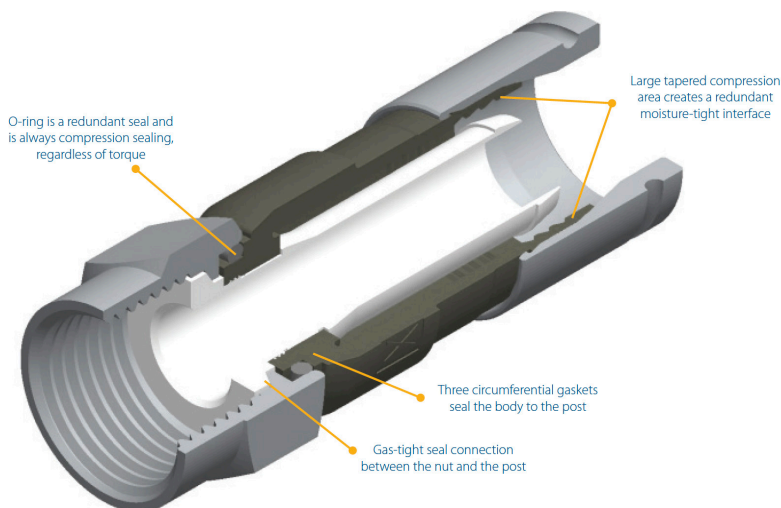


Technical Data

Electrical Specifications

Bandwidth	0 MHz to 3 GHz
Impedance	75 Ohms (nominal)
Return Loss (Gated)	
5 to 1,000 MHz	-30 dB Minimum
1,000 to 2000 MHz	-30 dB Minimum
2,000 to 3,000 MHz	-20 dB Minimum
Insertion Loss	
5 to 3,000 MHz	Less than .20 dB
Operating Voltage	90 V (at 60 Hz continuous AC)
Operating Temperature	-40 °F to 140 °F (-40 °C to 60 °C)
Cable Retention	45 lbs (20.41 kg) minimum

Meets or Exceeds all SCTE Specifications



Preparation & Installation Tools

Compression Tool	VT200, CATAS (for use w/ XL series)	VT300 ,CAT-AS-EX (for use w/ EX series)
1/4 in-1/4 in Universal Drop Cable Preparation Tool	LDT596-250	DDT59611
7/16 in Snap Torque Wrench	TW207	TW307
		TW307 AH

Ordering Information

PPC Part Number	Description
PPC-EX6XL-NBN	EX universal compression connector, extended body, series 6 cable

This product may be protected by one or more patents • For further information, please visit: www.ppc-online.com/patents

customerservice@ppc-online.com • 1-800-800-6652 • www.ppc-online.com