

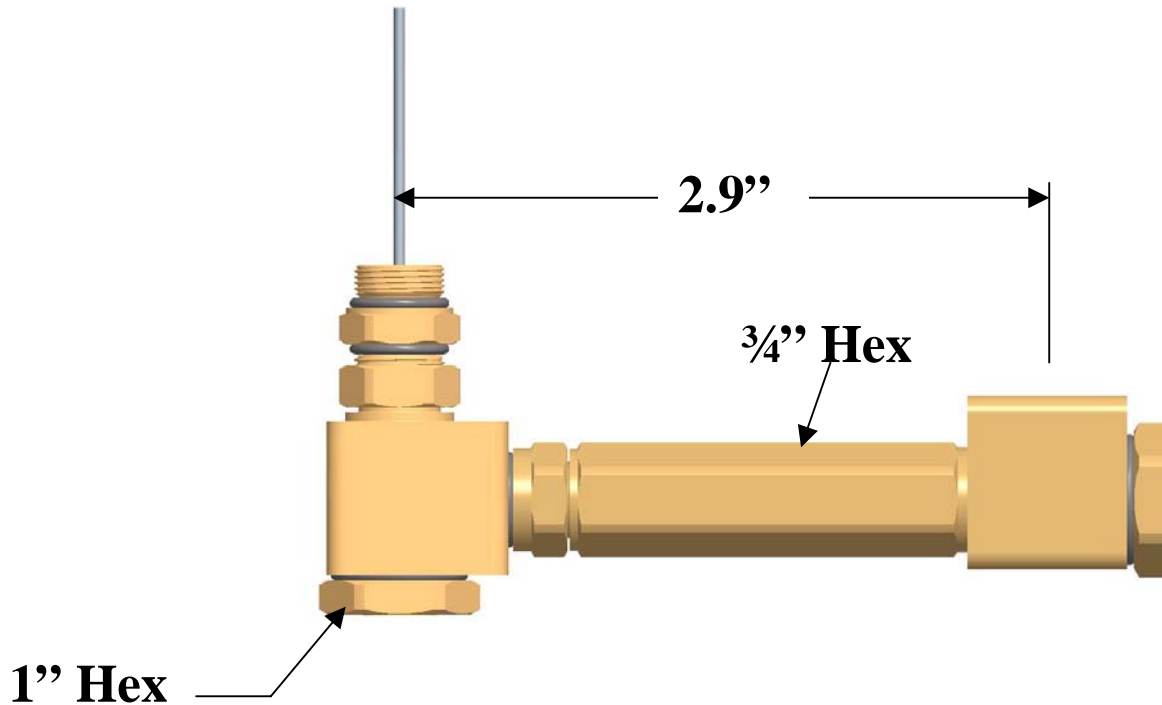
---

---

**PRODUCT DATA SHEET**

---

Part Number(s):   **CPPA180SW3**    180 degree adapter, 2.9", Swivel



**Operation Specification:**

Bandwidth	0 MHz to 1 GHz
Impedance	75 Ohms
Return Loss	Better than -30 dB to 1 GHz
Insertion Loss	Less than 0.10 dB to 1 GHz
Operating Voltage Rating	90 Volts (@ 60 Hz continuous AC)
Operating Current Rating	20 Amps (@ 60 Hz continuous AC)
Operating Temperature Range	-40° to +140° F

**Tooling Requirements:**

- One (1) 3/4" wrenches
- Two (2) 1" wrenches
- Regular screw driver or 3/16" hex nut driver
- Suitable wrenches for installing pin connector
- Cutters for pin of connector

## INSTALLATION INSTRUCTIONS

1. Loosen the equipment seizure screws.
2. Measure and trim the pin of the 180 Degree Adapter according to equipment manufacturer's specification.
3. Thread the port nut on the 180 degree adapter into the equipment until hand tight. Further tighten 1/8 to 1/4 turn (15-20 foot-pounds) with a wrench.
4. Remove the cap of the 180 degree adapter and loosen seizure screw.
5. Trim the pin of the connector to 9/16" as shown below in the diagram.
6. Hand tighten the pin connector into the 180 Degree Adapter. Wrench tighten an additional 1/8 to 1/4 turns while holding the adapter with another wrench.
7. Install the prepared cable into the pin connector and fully tighten per the connector installation instructions.
8. Finger tighten the seizure screw to the connector pin within the adapter, then tighten an additional 1/8 to 1/4 turn with a screw driver or nut driver.
9. Hand tighten the jam nut of the 180 Degree Adapter to the equipment housing while holding the connector in position, then further tighten the jam nut with a wrench an additional 1/8 to 1/4 turns.
10. Hand tighten the jam nut between the 90 degree blocks, then further tighten 1/8 to 1/4 turns with a wrench.
11. Tighten the seizure screw within the equipment housing according to the manufacturer's specification.

