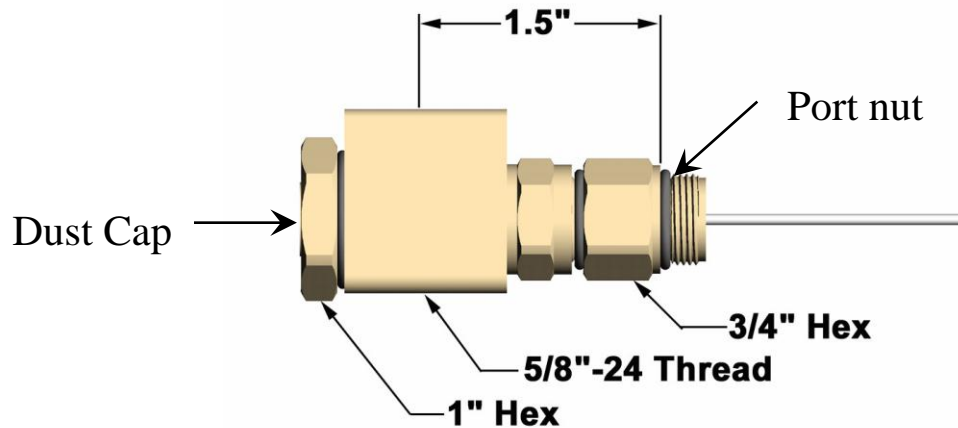


## PRODUCT DATA SHEET

Part Number(s): **CP 90 1.5** Right angle adapter



### Operation Specification:

Bandwidth	0 MHz to 1 GHz
Impedance	75 Ohms
Return Loss	Better than -30 dB to 1 GHz
Insertion Loss	Less than 0.10 dB to 1 GHz
Operating Voltage Rating	90 Volts (@ 60 Hz continuous AC)
Operating Current Rating	20 Amps (@ 60 Hz continuous AC)
Operating Temperature Range	-40° to +140° F

### Tooling Requirements:

- One (1)  $\frac{3}{4}$ " wrench
- Two (2) 1" wrenches
- Regular screw driver or  $\frac{3}{16}$ " hex nut driver
- Suitable wrenches for installing pin connector
- Cutters for pin of connector