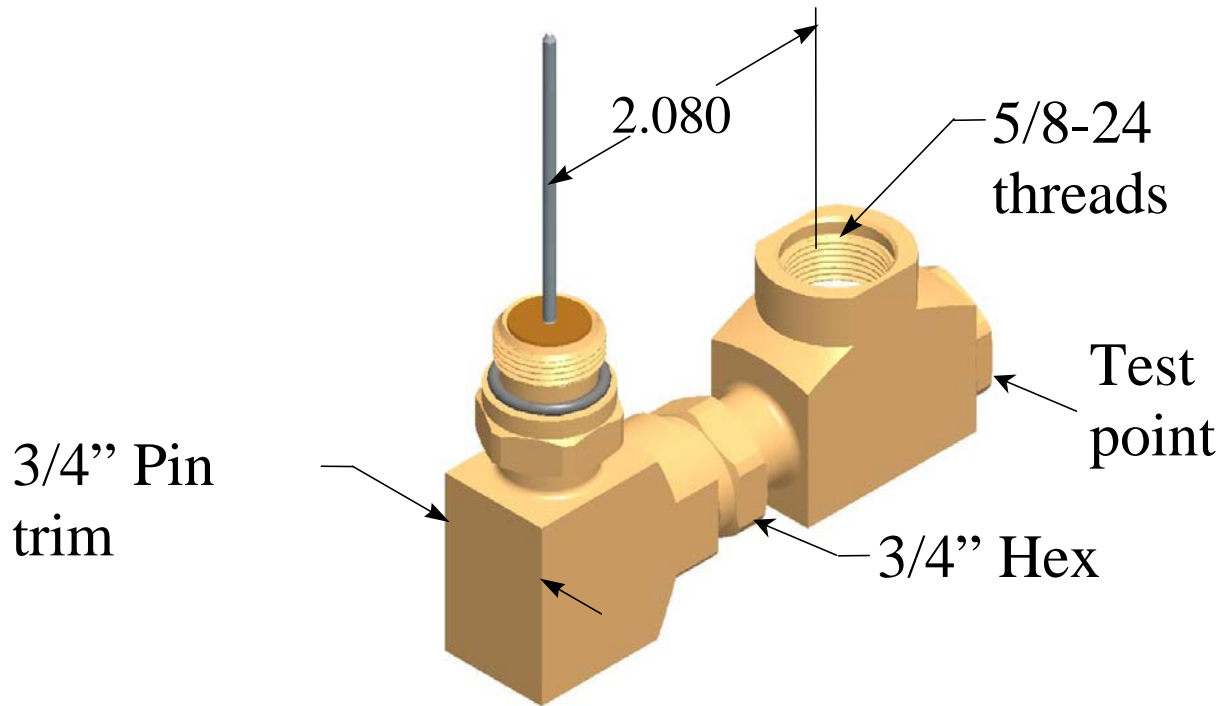


PRODUCT DATA SHEET

Part Number(s): **NX180T**

180 Degree Adapter with self seizing contact and test point



Operation Specification:

Bandwidth	0 MHz to 1 GHz
Impedance	75 Ohms
Return Loss	Better than -30 dB to 1 GHz
Insertion Loss	Less than 0.10 dB to 1 GHz
Operating Voltage Rating	90 Volts (@ 60 Hz continuous AC)
Operating Current Rating	20 Amps (@ 60 Hz continuous AC)
Operating Temperature Range	-40° to +140° F

Tooling Requirements:

- Two (2) ¾" wrenches
- Suitable wrenches for installing pin connector
- Cutters for pin of connector

INSTALLATION INSTRUCTIONS

NX 180

1. Loosen the equipment seizure screws.
2. Measure and trim the pin of the 180 Degree Adapter according to equipment manufacturer's specification.
3. Thread the 180 Degree Adapter into the equipment housing approximately 4 turns.
4. Trim the pin of the connector to $\frac{3}{4}$ ". Use the width of the 180 Degree Adapter as a pin trim guide.
5. Hand tighten the pin connector into the 180 Degree Adapter. Wrench tighten an additional $\frac{1}{8}$ to $\frac{1}{4}$ turns while holding the adapter with another wrench.
6. Install the prepared cable into the pin connector and fully tighten per the connector installation instructions.
7. Hand tighten the jam nut of the 180 Degree Adapter to the equipment housing while holding the connector in position, then further tighten the jam nut with a wrench an additional $\frac{1}{8}$ to $\frac{1}{4}$ turns.
8. Hand tighten the jam nut between the 90 degree blocks, then further tighten $\frac{1}{8}$ to $\frac{1}{4}$ turns with a wrench.
9. Tighten the seizure screw within the equipment housing according to the manufacturer's specification.

