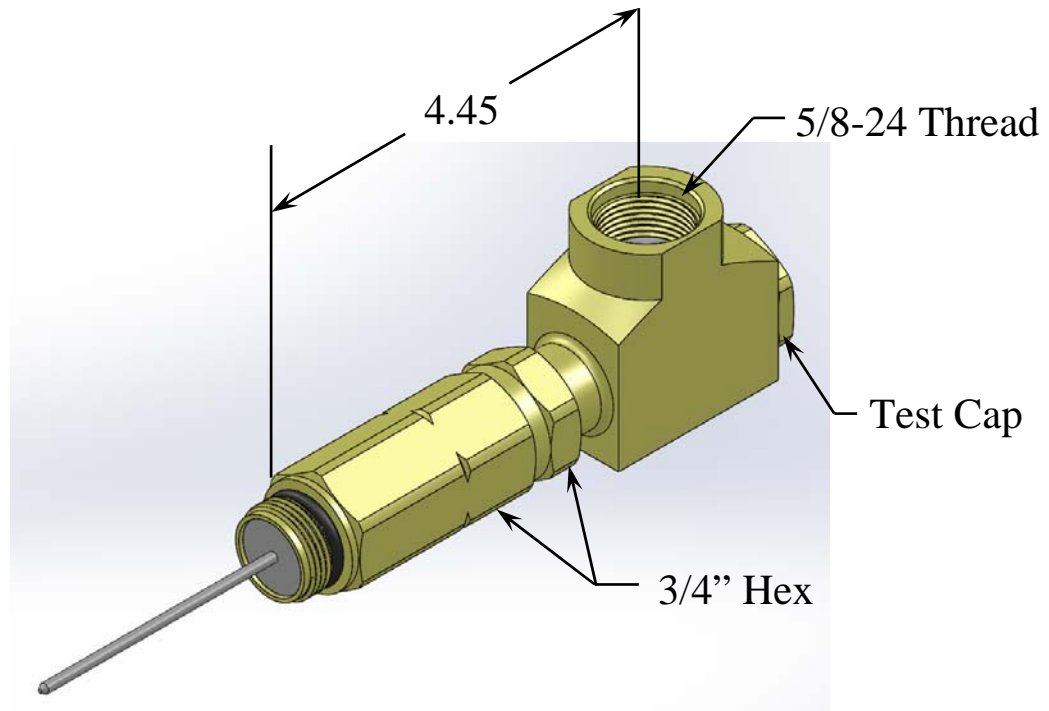


PRODUCT DATA SHEET

Part Number: **NX90T3** Right angle adapter with self seizing contact and test point, 3" Extension



Operation Specification:

Bandwidth	0 MHz to 1 GHz
Impedance	75 Ohms
Return Loss	Better than -30 dB to 1 GHz
Insertion Loss	Less than 0.10 dB to 1 GHz
Operating Voltage Rating	90 Volts (@ 60 Hz continuous AC)
Operating Current Rating	20 Amps (@ 60 Hz continuous AC)
Operating Temperature Range	-40° to +140° F

Tooling Requirements:

- Two (2) ¾" wrenches
- Suitable wrenches for installing pin connector
- Cutters for pin of connector

INSTALLATION INSTRUCTIONS

NX90T3

1. Loosen the equipment seizure screws.
2. Measure and trim the pin of the Right Angle Adapter according to equipment manufacturer's specification.
3. Thread the Right Angle Adapter into the equipment housing approximately 4 turns.
4. Trim the pin of the connector to 3/4". Use the width of the Right Angle Adapter as a pin trim guide.
5. Hand tighten the pin connector into the Right Angle Adapter. Wrench tighten an additional 1/8 to 1/4 turn while holding the adapter stationary with another wrench.
6. Install the prepared cable into the pin connector and fully tighten per the connector installation instructions.
7. Hand tighten the jam nut of the Right Angle Adapter to the equipment housing while holding the adapter stationary, then further tighten the port nut 1/8 to 1/4 turn with a wrench.
8. Tighten the seizure screw within the equipment housing according to the manufacturer's specification.

