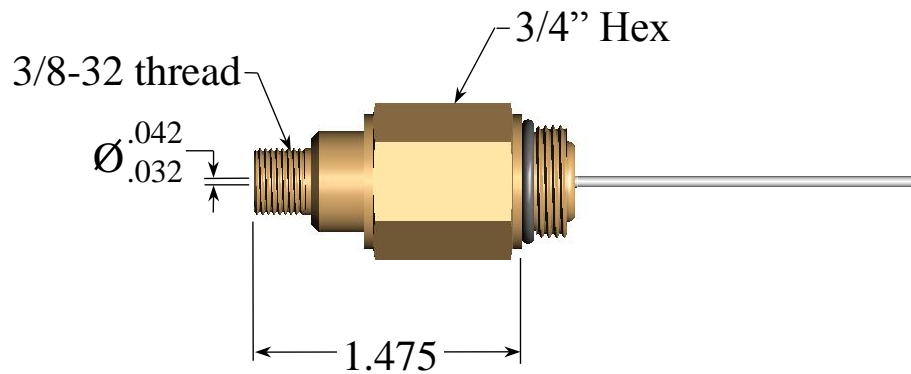


## PRODUCT DATA SHEET

Part Number(s): **CF 61 625 PB**

AC (60 Hz) Power Blocking Housing  
to "F" female.



### Operation Specification:

Bandwidth	5 Mhz to 1 GHz
Return Loss	Greater than 16 at 1 Ghz
Operating Temperature Range	-40° to +140° F

### Tooling Requirements:

- 3/4" wrench
- Suitable wrench for installing drop fitting
- Pin Cutters