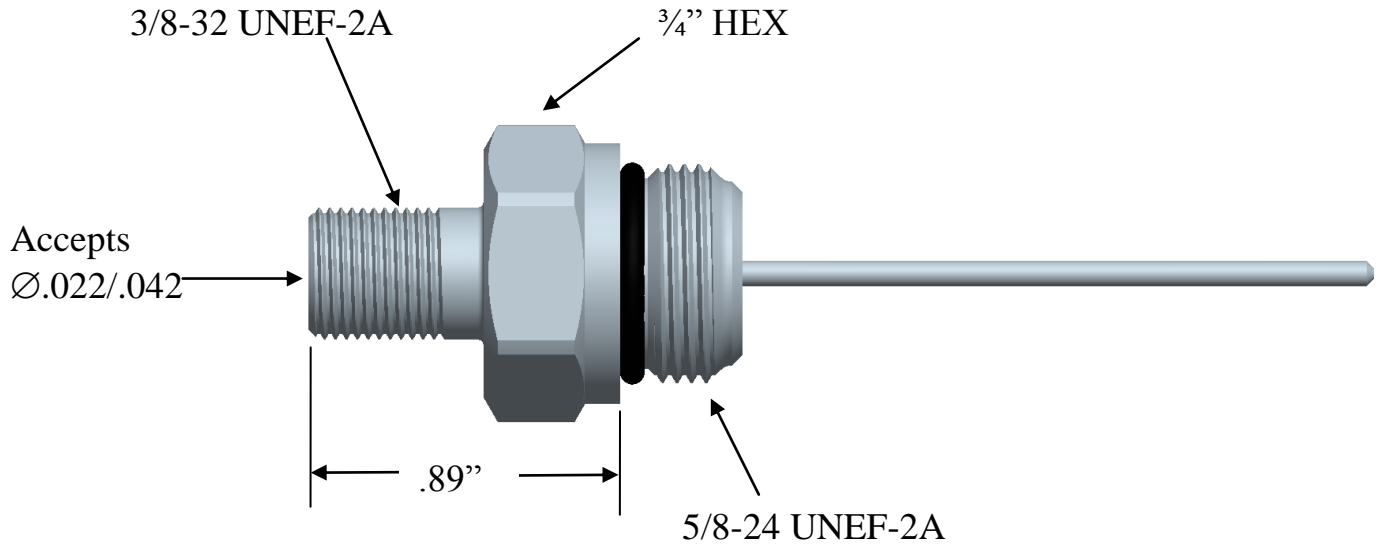


PRODUCT DATA SHEET

Part Number(s): **CF61G1A**

“F” Female to KS Adapter



Operation Specification:

Bandwidth	0 Mhz to 1 GHz
Impedance	75 Ohms
Operating Voltage Rating	90 Volts (@ 60 Hz continuous AC)
Operating Temperature Range	-40° to +140° F
Insertion Loss	<.10 dB
Return Loss	>30dB
Shielding Effectiveness	>120 dB

Tooling Requirements:

- 3/4” wrench
- Suitable wrench for installing drop fitting
- Pin Cutters