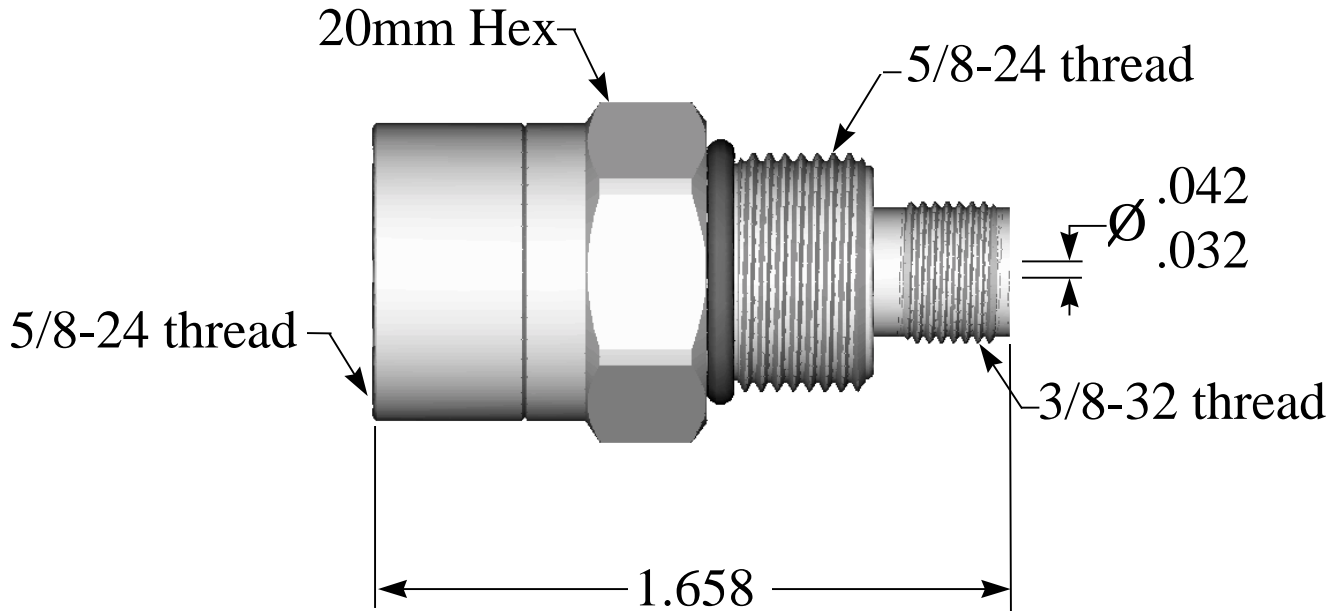


PRODUCT DATA SHEET

Part Number: **ICH BAFF KS / 2** KS to "F" Female Bulkhead Adapter with Self-seizing Contact



Operation Specification

Bandwidth	0 MHz to 2 GHz
Impedance	75 Ohms
Return Loss	Better than -30 dB to 1 GHz, -25 dB to 2 GHz
Insertion Loss	Less than 0.10 dB to 1 GHz, 0.20 dB to 2 GHz
Operating Voltage Rating	90 Volts (@ 60 Hz continuous AC)
Operating Temperature Range	-40° to +140° F

Tooling Requirements

- One (1) 20mm or adjustable wrench
- Suitable wrenches for installing pin connector
- Cutters for pin of connector