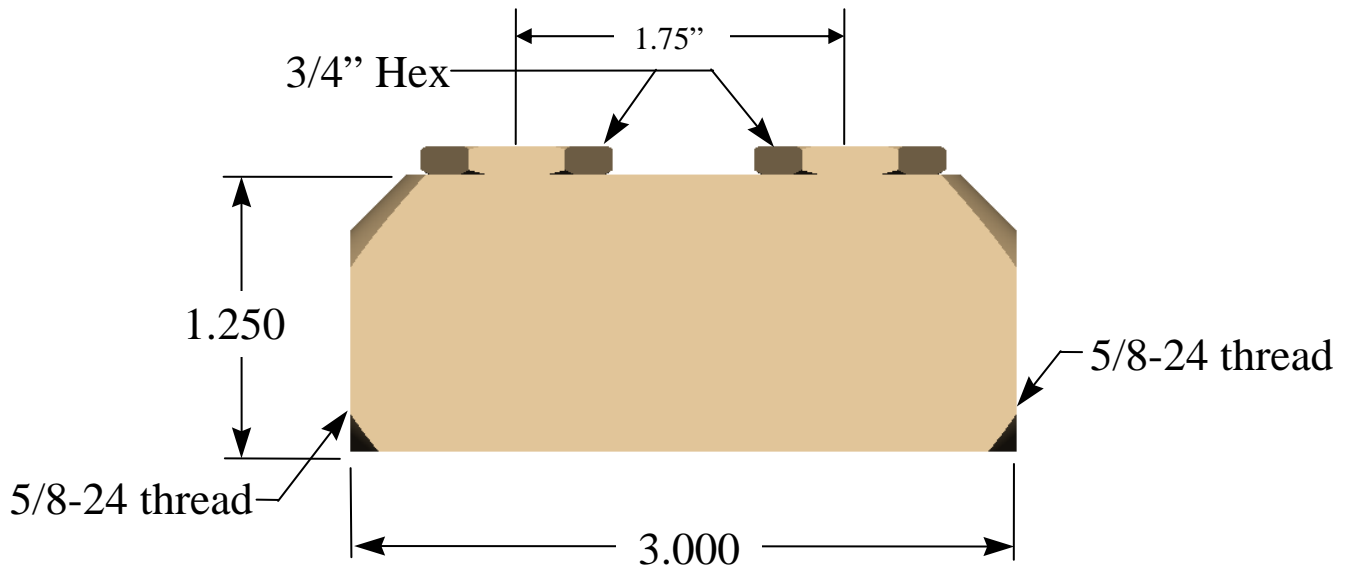


PRODUCT DATA SHEET

Part Number(s): **CSPB** In line Splice Block (shown below)
 TSPB Pedestal Splice Block



Operation Specification:

Bandwidth	0 MHz to 1 GHz
Impedance	75 Ohms
Return Loss	Better than -25 dB to 1 GHz
Insertion Loss	Less than 0.20 dB to 1 GHz
Operating Voltage Rating	90 Volts (@ 60 Hz continuous AC)
Operating Current Rating	15 Amps (@ 60 Hz continuous AC)
Operating Temperature Range	-40° to +140° F

Tooling Requirements:

- 3/4" wrench
- Suitable wrenches for installing pin connector
- Cutters for pin of connector
- Regular screw driver

INSTALLATION INSTRUCTIONS

CSPB TSPB

1. Remove caps from adapter, loosen both seizure screws to ensure that the connector pin spins freely during installation.
2. Measure and trim pins of the connectors to 1/2". Can use flat side of the hex to the far side of the small circle on the caps. See figure below.
3. Hand tighten the connectors into the Splice Block.
4. With appropriate wrenches, hold the Splice Block and tighten the connectors an additional 1/8 to 1/4 turn.
5. Install the prepared cable(s) into the connectors(s) per the connector installation instructions.
6. Tighten the seizure screws of the adapter.
7. Hand tighten the caps onto the open ports of the adapter, then tighten an additional 1/8- 1/4 turns with a wrench.

