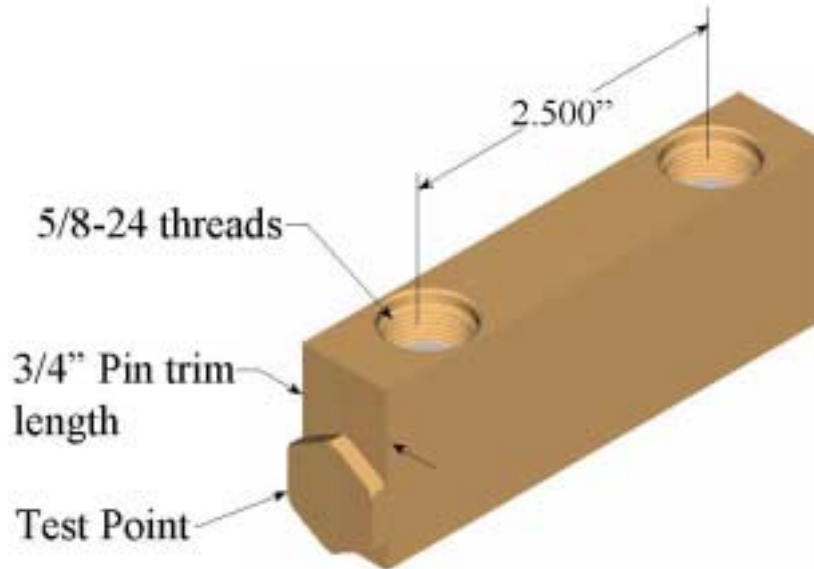


PRODUCT DATA SHEET

Part Number(s): **ISPBT**

Pedestal Splice Block with self-seizing contacts and test point.



Operation Specification:

Bandwidth	0 MHz to 1 GHz
Impedance	75 Ohms
Return Loss	Better than -30 dB to 1 GHz
Insertion Loss	Less than 0.10 dB to 1 GHz
Operating Voltage Rating	90 Volts (@ 60 Hz continuous AC)
Operating Current Rating	20 Amps (@ 60 Hz continuous AC)
Operating Temperature Range	-40° to +140° F

Tooling Requirements:

- 3/4" wrench
- Suitable wrenches for installing pin connector
- Cutters for pin of connector

INSTALLATION INSTRUCTIONS

ISPBT

1. Measure and trim pins of the connector/adaptor to $3/4$ ". Use the width of the splice block as a pin trim guide.
2. Hand tighten the pin connector into the Splice Block. Repeat this step for the second pin connector.
3. With appropriate wrenches, hold the Splice Block and tighten the connectors/adapters an additional $1/8$ to $1/4$ turn.
4. Install the prepared cable into the connectors per the connector installation instructions.

