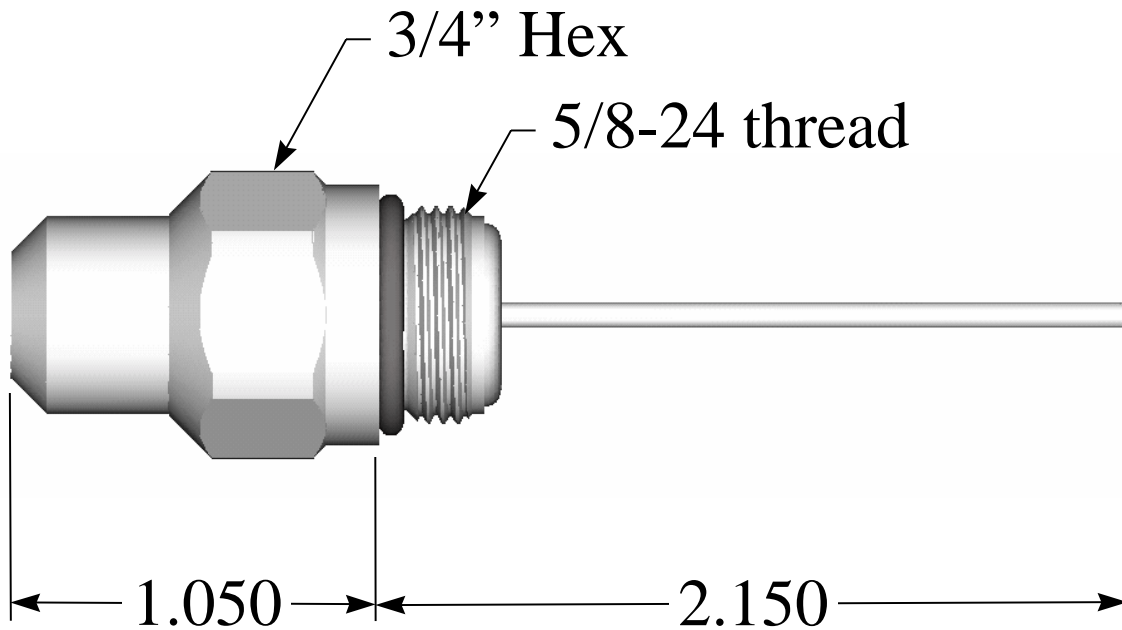


PRODUCT DATA SHEET

Part Number(s): **UMTR** Housing Terminator



Operation Specification:

Bandwidth	5 MHz to 1 GHz
Impedance	75 Ohms (nominal)
Return Loss	Minimum -30 dB from 5 MHz to 1 GHz
Operating Voltage Rating	90 Volts (@ 60 Hz continuous AC)
Maximum Withstanding Voltage	600 Volts (@ 60 Hz continuous AC)
Operating Temperature Range	-40° to +140° F

Tooling Requirements:

- 3/4" wrench
- Cutters for trimming pin