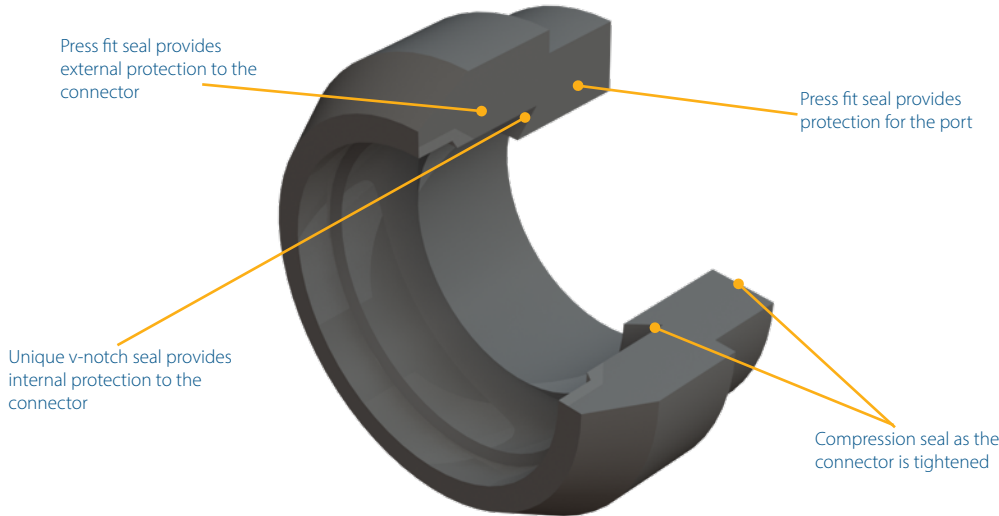


Drop Ancillary

WS375 - 3/8" F81 Weather Seal



When performance is on the line, don't sacrifice on environmental protection. Not all weather seals are made equal, and PPC's unique port seals offer best-in-class performance while still being easy to install. PPC weather seals protect both the port and the connector from moisture ingress, preventing corrosion and damage to the network.



Specifications

Material	60 durometer ethylene propylene compound
Operating Temperature Range	-70°F to +250°F (-57°C to 121°C)
Moisture Migration	Meets SCTE IPS-TP-013 when used with PPC approved products

Meets or Exceeds all SCTE Specifications

Related Products



WS500
1/2" Weather Seal



EX6XLPLUS
RG6 Continuity® Connector



EX6XLWSPLUS
RG6 AquaTight®/Continuity® Connector



TR75S
Basic Terminator

This product may be protected by one or more patents. For further information, please visit: www.ppc-online.com/patents