

ShockWatch Label Mounting Instructions

The mounting of a ShockWatch Label is important to ensure that the indicator properly detects mishandling and impact.

RULES OF THUMB:

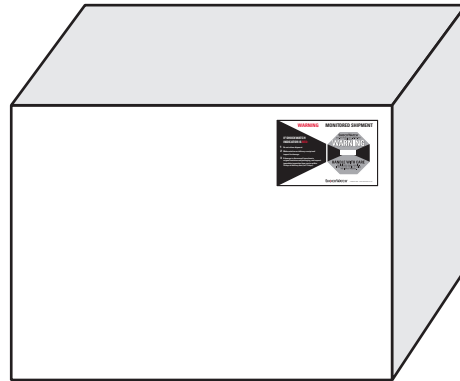
1. Always place labels on the right edge of the shipment.
2. Always place labels on the longest side of the package.
3. The heavier the shipment, the lower you should mount the label.

RECOMMENDED PRODUCT PLACEMENT

L-30 GREEN - 100G's at 50ms (milliseconds) and L-35 Orange - 75G's at 50ms

PLACEMENT OF LABELS:

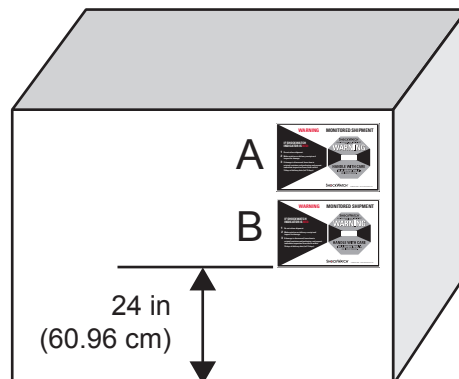
Placement is in upper right corner of the package.



L-47 Red - 50G's at 50ms (milliseconds)

PLACEMENT OF LABELS:

- A. For Packages 50 - 100 lbs (22.68 - 45.36 kg)
Placement is in upper right corner of the package.
- B. For Packages 100-500 lbs (45.36 - 226.8 kg)
Placement is along the right edge, at least 24 inches (60.96 cm) from the bottom of the package.



RECOMMENDED PRODUCT PLACEMENT

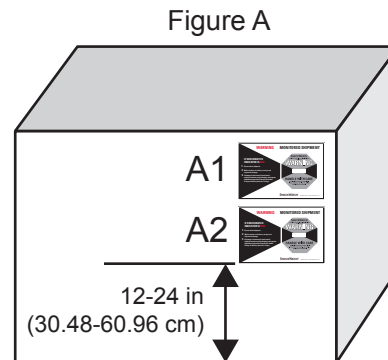
L-55 PURPLE - 37G's at 50ms (milliseconds)

PLACEMENT OF LABELS:

- A1. For Packages 50 - 100 lbs (22.68 - 45.36 kg)
Placement is in upper right corner of the package.

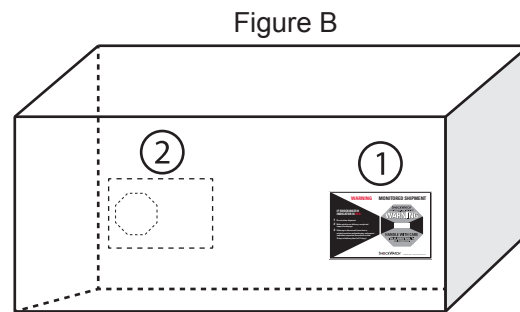
See Figure A - A1.

- A2. For Packages 100-500 lbs (45.36 - 226.8 kg)
Placement is along the right edge,
12-24 inches (30.48 - 60.96 cm) from the
bottom of the package. **See Figure A - A2.**



- B. If the package is twice as long as it is wide,
or palletized shipments use two labels.
Place a second indicator in the same position
on the opposite side of the package.

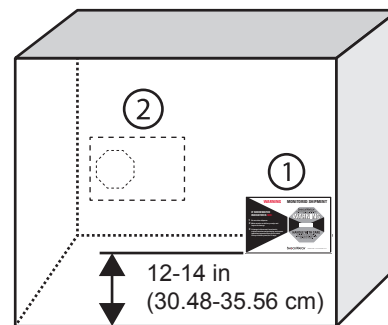
See Figure B.



L-65 YELLOW - 25G's at 50ms (milliseconds)

PLACEMENT OF LABELS:

- A. Place ShockWatch label 12 - 14 in (30.48 - 35.56 cm)
from the bottom of the box. Place a second indicator
in the same position on the opposite side of the package.



- B. If the package is twice as long as it is wide,
or palletized shipments use two ShockWatch labels.
Place a second indicator in the same position
on the opposite side of the package.

