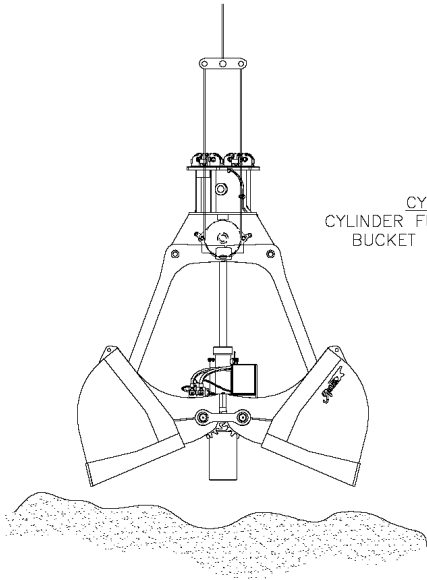
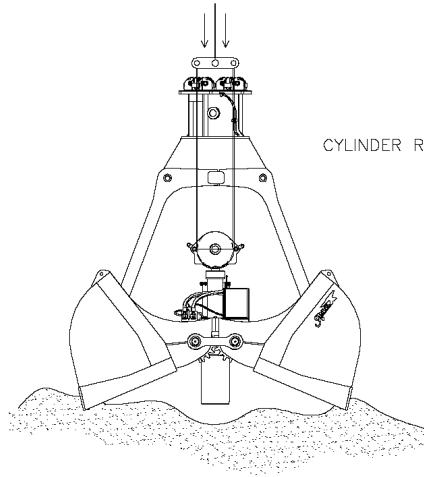


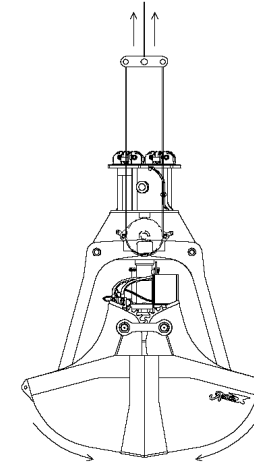
RADIO CONTROLLED SINGLE LINE - OPERATION



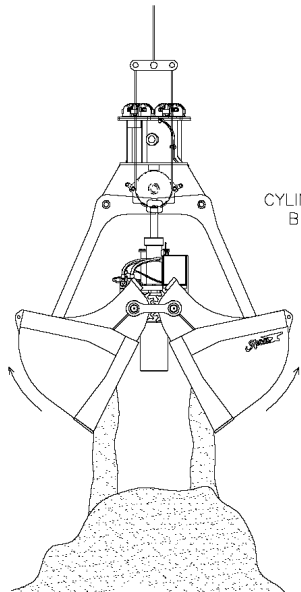
CYCLE-1
CYLINDER FULLY EXTENDED
BUCKET FULLY OPEN



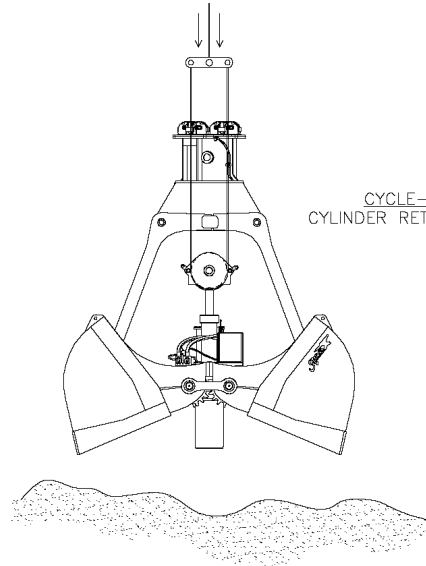
CYCLE-2
CYLINDER RETRACTED AND LOCKED



CYCLE-3
FULLY CLOSED



CYCLE-4
CYLINDER EXTENDING
BUCKET OPENS



CYCLE-5
CYLINDER RETRACTING

- CYCLE-1: BUCKET SHOWN IN NORMAL SUSPENDED MODE, HELD OPEN BY FORCE OF GRAVITY.
- CYCLE-2: BUCKET SHOWN IN DIGGING MODE WITH VALVE CLOSED. CYLINDER BODY AND CENTER SECTION RESPOND TO LIFTING ENERGY OF HOIST ROPE AND CLOSES BUCKET.
- CYCLE-3: BOWLS MEET AND BUCKET IS HELD IN CLOSED POSITION, UNABLE TO OPEN, BY FORCE OF GRAVITY, WITH VALVE REMAINING CLOSED AND FLUID LOCKED.
- CYCLE-4: VALVE IS OPENED, BY REMOTE CONTROLLER OR MANUAL PULL ROPE, AND ALLOWING CYLINDER TO EXTEND. WEIGHT OF BUCKET AND MATERIAL CAUSES BUCKET TO OPEN.
- CYCLE-5: BUCKET IS RETURNED TO MATERIAL IN OPEN POSITION. VALVE IS OPEN AND HOIST LINE IS SLACK AS PISTON RETURNS, BY GRAVITY, TO BOTTOM POSITION. VALVE IS THEN CLOSED AND FLUID LOCKED FOR NEXT DIGGING CYCLE.