

HYDRAULIC GLAMSHELL BUCKET - MODEL HC4

THE ANVIL ADVANTAGE

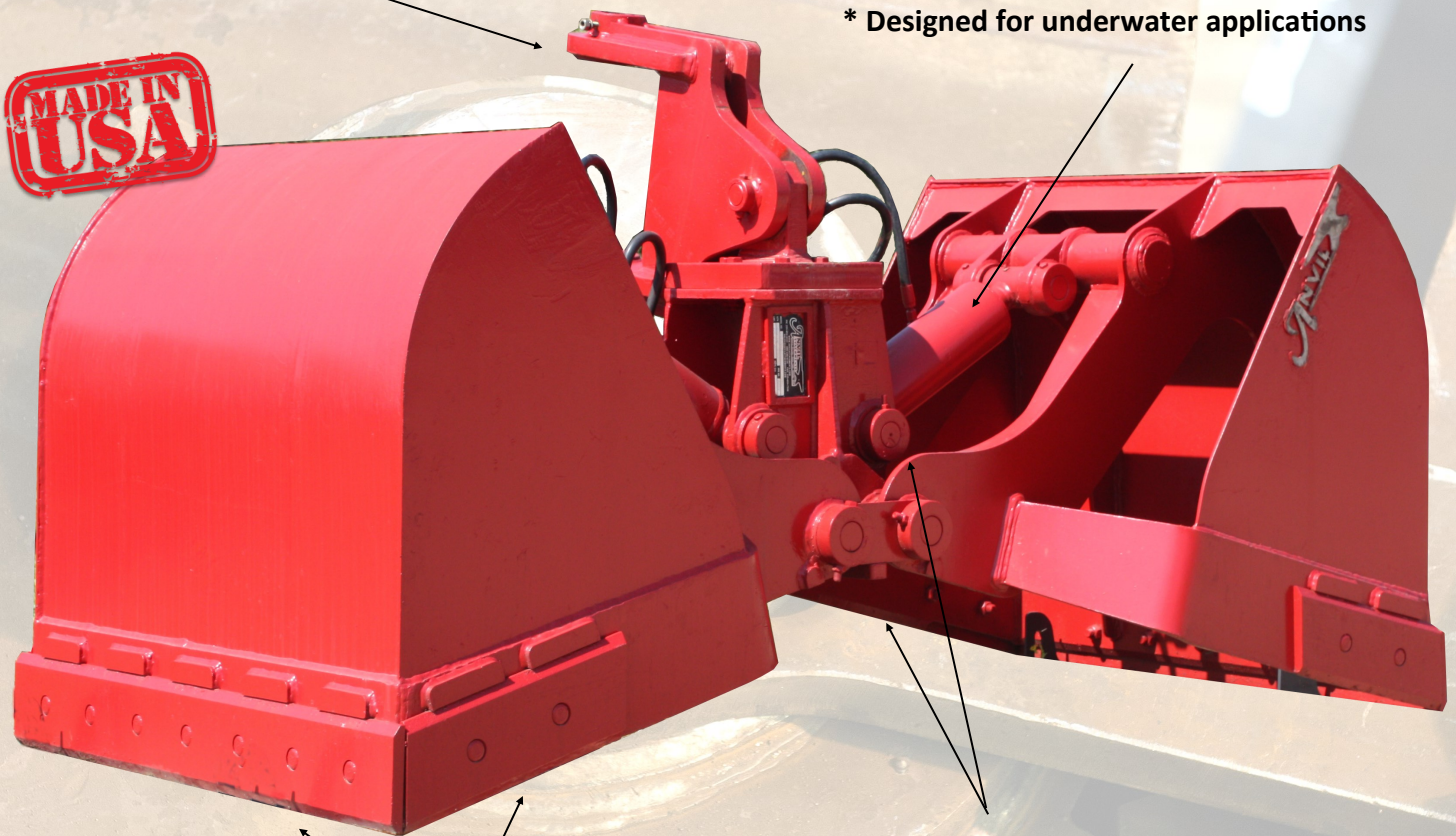
ROTATION

- *Design available for direct mount, knock around or power rotation
- *Underwater rotation option available

CYLINDERS

- * 4 inch Bore
- * Oversized and pressure tested
- * Designed for underwater applications

MADE IN USA



OPTIONAL CUTTING EDGES

- * Bolt on reversible bottom and partial side lips
- * Bolt on teeth
- * Rubber sealed lip
Weld on or Bolt on (Patent No. 9,388,023)
- * Lap sealed lip - weld on only

PINS & BUSHINGS

- * Pins are machined from 4140 heat treated steel
- * Bushings are extra heavy, thick walled and made of chromium molybdenum 4140/42

- Material upgrades available for pins, bushings, lips and bowl plates
- Dust or environmental covers available

1 YEAR WARRANTY AGAINST MANUFACTURER DEFECTS



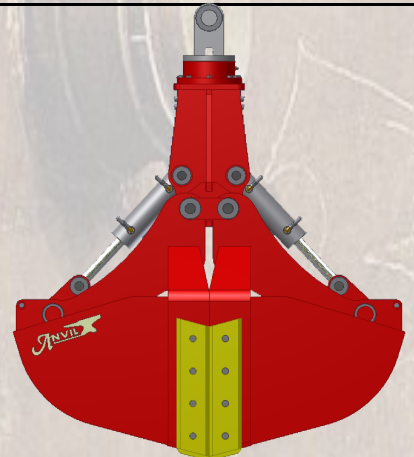
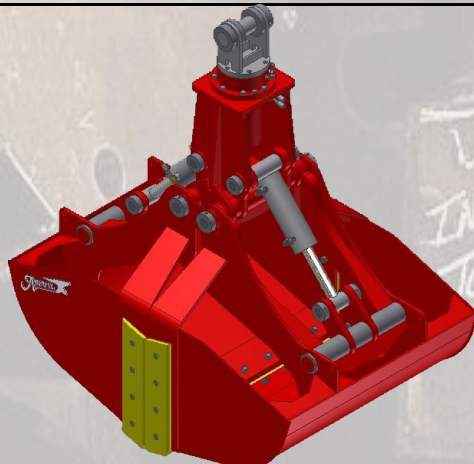
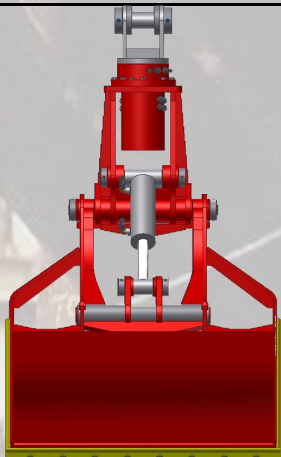
HYDRAULIC CLAMSHELL BUCKET - MODEL HC4

Model	Heaped Capacity	Height Open	Height Closed	Length Open	Length Closed	Width	Weight (LBS)
HC4-050	1/2 CU YD	3' 5"	5' 2"	6' 0"	5' 3"	2' 0"	1,800
HC4-075	3/4 CU YD	3' 5"	5' 2"	6' 4"	5' 6"	2' 4"	1,900
HC4-100	1.0 CU YD	3' 6"	5' 9"	7' 2"	5' 6"	2' 6"	2,000
HC4-150	1.5 CU YD	3' 7"	6' 6"	7' 4"	5' 8"	3' 7"	2,250
HC4-200	2.0 CU YD	3' 9"	6' 9"	7' 11"	5' 10"	4' 2"	2,750
HC4-250	2.5 CU YD	4' 4"	6' 10"	8' 0"	6' 4"	4' 6"	3,150
HC4-300	3.0 CU YD	4' 4"	7' 5"	9' 2"	6' 6"	5' 8"	3,500

Specifications: In accordance with our established company policies of constantly improving our products, we reserve the right to change or modify our product or specifications at any time without notice.

* All weights include 360 power rotation, subtract 100lbs for no rotation

REV. 12.1.16



PO BOX 216/261 HIGHWAY 19
SLAUGHTER, LOUISIANA 70777
USA

225.654.8222

WWW.ANVILATTACHMENTS.COM
SALES@ANVILATTACHMENTS.COM