



AW58100HTP-PAIR

USER'S MANUAL

5.8 GHz Outdoor 100 Mbps Ethernet Point-to-Point Radio System

Industrial-grade, long-range wireless Ethernet systems

AvaLAN
WIRELESS

The AW58100HTP-PAIR consists of two AW58100HTS radios preconfigured with a dual flat panel high gain directional antenna.

The AW58100HTP-PAIR includes:

- (2) AW58100HTS Bridge Radios
- (2) Heavy Duty Pole-mount Bracket
- (2) Power Over Ethernet Injector
- (2) 18 VDC Power Supplies

Table of Contents

Quick Start Guide	3
LED Status Guide	4
Digital Configuration	5
Connecting To The Radio	5
Changing the Configuration - Step By Step	6
Viewing Status Information	8
Physical Setup	9
Technical Specifications	10
Frequency Channels	11
Warranty and FCC Information	11

If you have any questions when configuring your AvaLAN system, the best place to get answers is to visit www.avalanwireless.com. You will also find the latest updates there. If more assistance is needed, send email to support@avalanwireless.com.

To speak to a live technician, please call technical support at the number below during normal business hours.

© by AvaLAN Wireless Systems Inc. All rights reserved.

Revision 6.26.2014

125A Castle Drive
Madison, AL 35758

Phone: (650) 384-0000

Fax: (650) 249-3591

Quick Start Guide

Step 1. Radios are Preconfigured out of the Box

Step 2. Mount Radios

Step 3. Align Radios

Step 4. Attach Cables

System Default:

IP Address: 192.168.88.12 (Bridge A Unit)

192.168.88.10 (Bridge B Unit)

Username: admin

Password: password

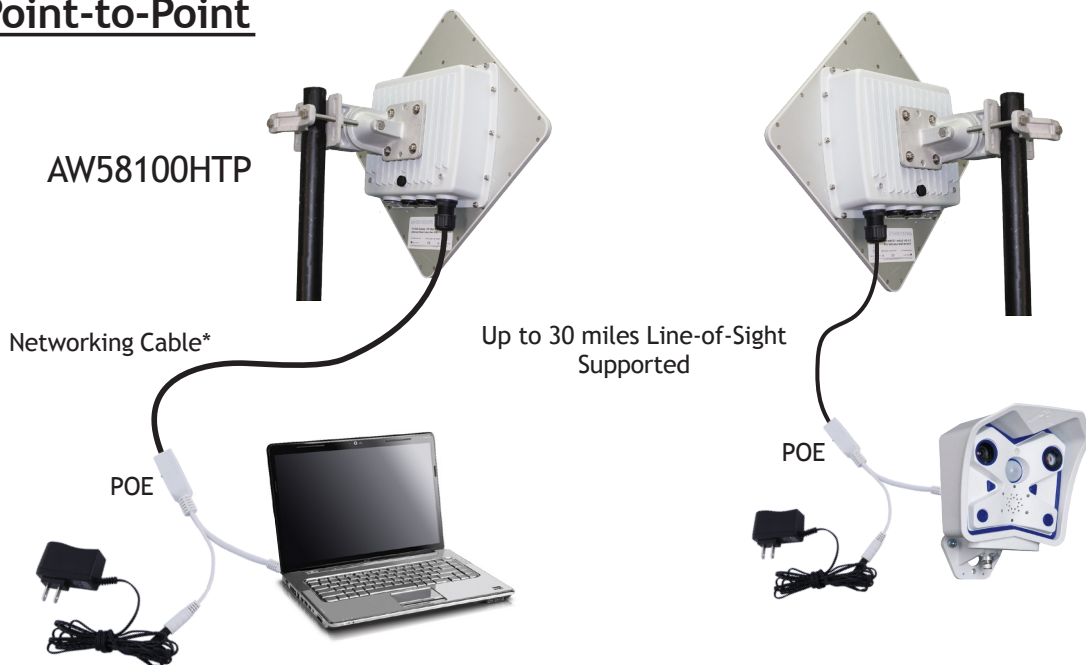
Best Practices:

1. Ensure clear visual path between radios before deployment
2. Test on bench before deployment
3. Networking Cable:
 - CAT 6 Shielded Outdoor Grade
 - For AW58100HTP - maximum length 300 ft/100 meters

Tools Needed:

- ½ inch wrench
- Large Phillips head screwdriver
- Small flat screwdriver

Point-to-Point



*Networking cable not provided

LED Status Information



Bridge A LED Guide




<u>Ethernet</u>	<u>Wireless</u>
● Status	●
● Rx	●
● Tx	●

— The wireless status light blinks slowly when the product is powered and is lit solid when it has a successful wireless connection.

— This light will blink when receiving data

— This light will blink when transmitting data

Bridge B LED Guide

 ● Status	●
 ● Wireless	●
 ● Ethernet	●

— The wireless status light blinks slowly when the product is powered and is lit solid when it has a successful wireless connection.

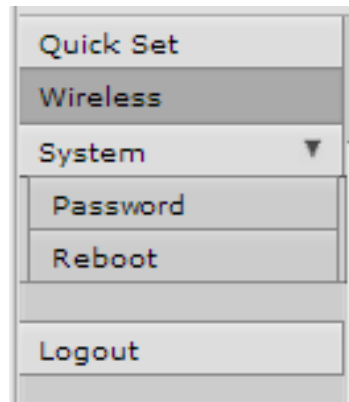
— The wireless activity light blinks when receiving data.

— The Ethernet activity light blinks when receiving data.

Digital Configuration

Connecting to the radio

1. Digital configuration is done by means of the radio's built in browser interface. The unit should be powered on and connected at least temporarily to a network containing a computer that can run a conventional web browser.
2. Using your web browser, connect to the radio as described in the Quick Start Guide found earlier in this manual.
3. The initial page after a successful login is "Quick Set." The content of this page is somewhat different for the AW58100HTP Bridge A and Bridge B.
4. Each page provides a menu on the left to navigate from section to section. The menu looks like this when its sections are expanded:



Beware that certain actions may cause the web page to freeze. In most cases, this is because you are viewing a browser-cached version of the page and not the live one from the radio. Clear your browser cache and/or logout and log back in to recover. You are cautioned not to use the "back" button on your browser to attempt to move back to earlier pages. If you do, you will be logged out and will need to login again.

In the upper right of the page is a label that tells you the version of the web interface. If the version number is not the same as shown below, you might want to visit www.avalanwireless.com (the Downloads page under the Support menu) to see if a newer version of this manual exists before proceeding further.

WebFig v6.15

Changing The Configuration - Step by Step

Please be aware that if you change the IP Address or User Password and forget their new values, you have locked yourself out of the browser interface. The AW58100 runs self-diagnostics at boot-up and will auto-correct most system configuration errors. Prior to calling technical support, it is recommended to power cycle the radio and confirm that the problem remains.

In the event of a lost IP address, reboot the AW58100 to create a temporary IP address of 192.168.88.88 that can be used to access the radio to reset the user-defined IP address. This IP address expires after 3 minutes from reboot. In the event of a lost password, please contact AvaLAN technical support for assistance.

If you are changing parameters over the RF link (we do not recommend this), be sure to make the remote changes first because the link will be broken if the network name or Security Keys do not agree.

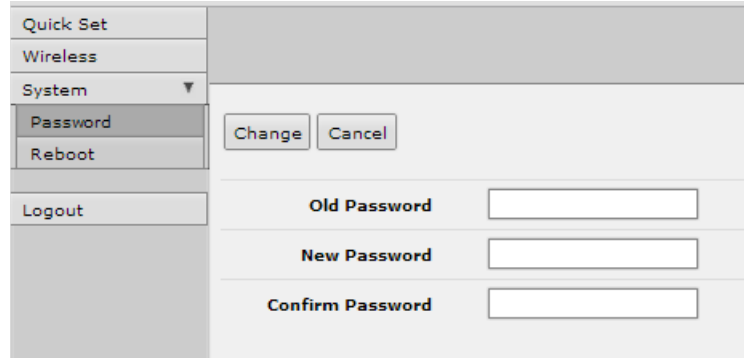
The screenshot shows a web interface with two sections. The top section is titled "Network Settings" and contains three input fields: "IP Address" with the value "192.168.168.52/8", "Gateway" with the value "192.168.168.1", and "Device Name" with the value "Subscriber". Below the "IP Address" field, there is a note: "Use /# after the IP address to specify the Subnet: /8 for 255.0.0.0, /16 for 255.255.0.0, /24 for 255.255.255.0. Example: 192.168.0.10/24". The bottom section is titled "System Configuration" and contains the "Device Name" field with the value "Subscriber".

1. Setting the IP Address and Subnet Mask, Gateway and Device Name:

- In the upper right area of the Quick Set page are the data entry boxes for these parameters. They contain the current values.
- A special notation is used for the IP Address and Subnet Mask: Use /x at the end of the IP Address to specify the subnet mask: /8 for 255.0.0.0, /16 for 255.255.0.0 and /24 for 255.255.255.0. Enter a new IP Address and subnet making sure you will be able to browse to the new address with your computer. Also, make sure that the new IP address is unique on your LAN.
- The Gateway address should be specified if it is necessary to communicate with the radio through the Gateway. Your system administrator should have this value.
- The Device Name is an arbitrary string and simply allows you to attach a human-friendly name to this specific radio.
- Click "Apply Configuration" when you have entered new values. Nothing appears to happen, but you have been disconnected and will need to browse to the new IP Address to login again.

2. Setting the User Password:

- On the Main Menu at the left side of the browser window, click “System”, then click “Password.”

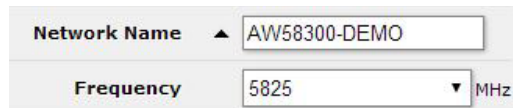


The screenshot shows a web interface for changing the user password. On the left is a navigation menu with options: Quick Set, Wireless, System (expanded), Password (selected), Reboot, and Logout. The main content area has a 'Change' button and a 'Cancel' button. Below these are three input fields: 'Old Password', 'New Password', and 'Confirm Password'.

- Enter the old password and the new password twice in the boxes indicated.
- Click the “Change” button.
- Log out and log back in to test.

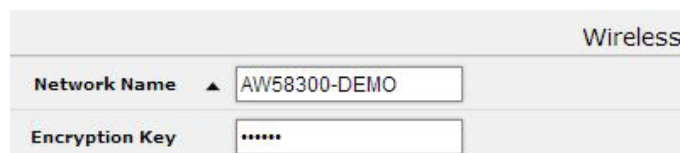
3. Setting the Frequency, Network name and Encryption Key:

- To set the Frequency, log in to the Bridge A and on the quick start page a selection can be made.



The screenshot shows two input fields. The first is 'Network Name' with a dropdown arrow and the value 'AW58300-DEMO'. The second is 'Frequency' with a dropdown arrow, the value '5825', and the unit 'MHz'.

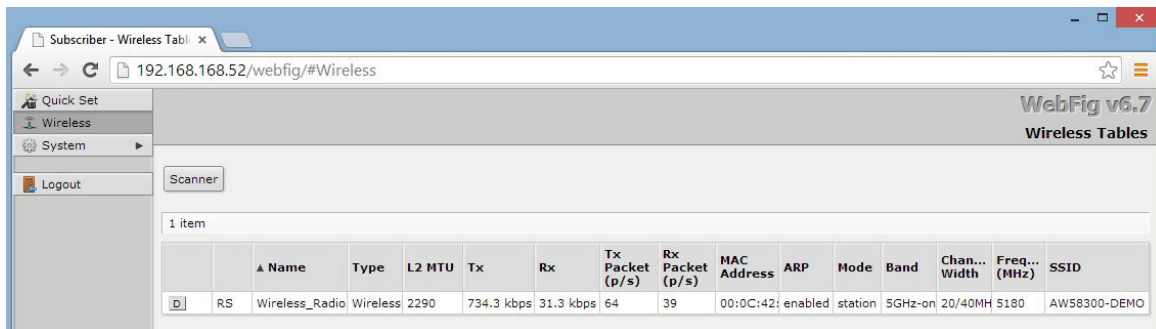
- The Network name is an arbitrary character string that must be set alike in all linked radios.
- The encryption key is a user specified character string.



The screenshot shows a 'Wireless' section with two input fields. The first is 'Network Name' with a dropdown arrow and the value 'AW58300-DEMO'. The second is 'Encryption Key' with a text box containing six asterisks (*****).

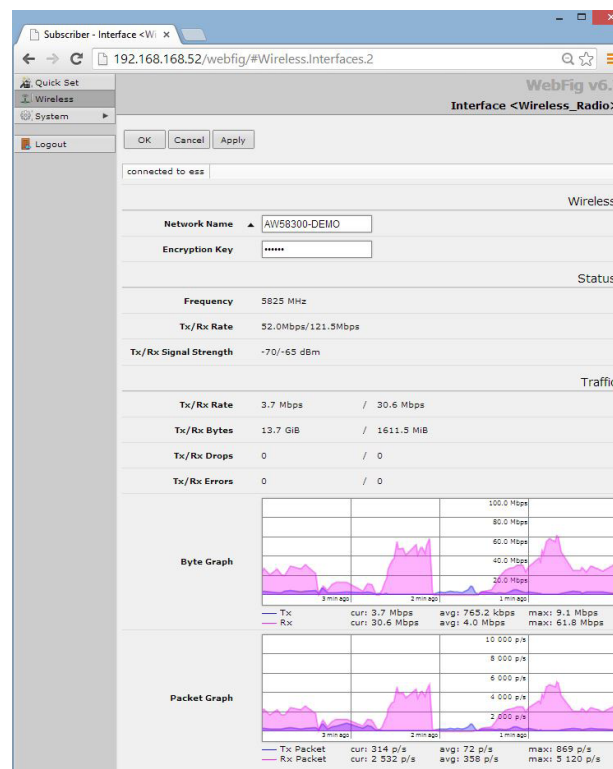
Viewing Status Information

After configuring your AvaLAN radios and establishing links among them, you can use the browser interface to view status and troubleshooting Information. The initial “Quick Set” page will show whether the wireless link is operating and the current signal strength. For more comprehensive information, choose “Wireless” from the Main Menu at the left side of the window. The “Wireless” page leads to most of the useful status information.



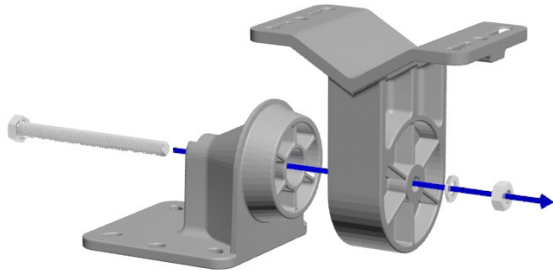
	Name	Type	L2 MTU	Tx	Rx	Tx Packet (p/s)	Rx Packet (p/s)	MAC Address	ARP	Mode	Band	Chan... Width	Freq... (MHz)	SSID	
1 item	RS	Wireless_Radio	Wireless	2290	734.3 kbps	31.3 kbps	64	39	00:0C:42:	enabled	station	5GHz-on	20/40MH	5180	AW58300-DEMO

The table on the Interfaces tab provides a list of the interface processes running in this radio. If it is Bridge B, there will be only one, “Wireless_Radio.” If it is Bridge A, there will also be a WDS process running. These rows summarize the configuration details and current running status of the radio.

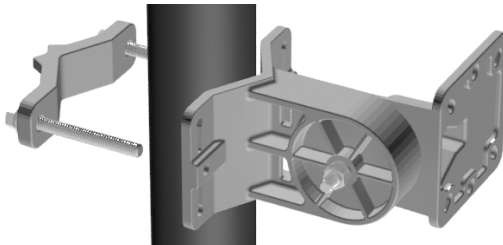


Physical Setup

1. Mount each unit securely using the mounting brackets provided or other means as necessary. Maximize lightning resistance by providing a strong DC ground connection to the metal housing.

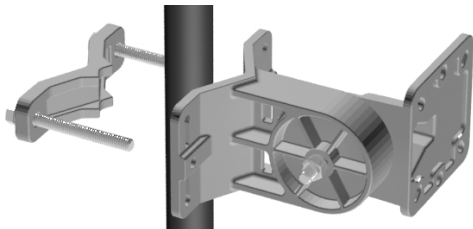


A. Assemble both bracket arms using the Rotator Bolt, a Large Lock Washer and the Hex Nut. Leave the bracket loose enough to rotate.

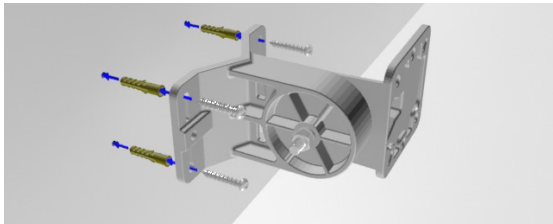


B. Use one of the following methods, or other methods necessary to secure the bracket.

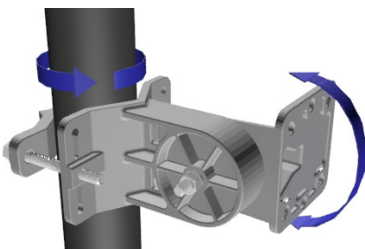
Wide Pole Mounting: Place the pole between the two large wedges of Bracket Arm A and the Pole Clamp Bar. Use the two Clamp Bolts to bind the bar and bracket to the pole. Use Large Washers and Lock Washers if needed. Leave the clamp loose enough to rotate.



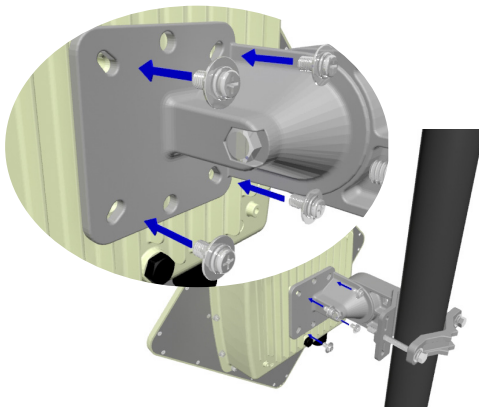
Narrow Pole Mounting: Place the pole between the large wedge of the Bracket Arm A and the small wedge on the reversed side of the Pole Clamp Bar. Use the two Clamp Bolts to bind the bar and bracket to the pole. Use Large Washers and Lock Washers if needed. Leave the clamp loose enough to rotate.



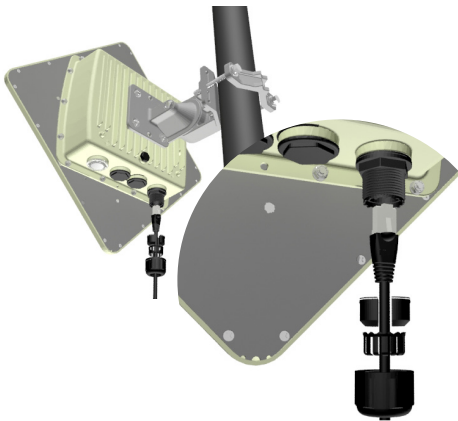
Wall Mounting: Hold Bracket Arm A flush against the wall then drill four holes of roughly 3/16 inch diameter using the four corner holes of bracket as a measuring guide. If mounting on wood, simply use the Wall Mounting Screws to secure the bracket through its four corner holes and those that you have drilled. If mounting on drywall press Drywall Anchors into the drill-holes then do the same but instead screw into the anchors.



C. Adjust the bracket apparatus so the square face of Bracket Arm B faces the direction of the device your radio will be communicating with. Then using a 1/2 inch wrench fully tighten all applicable components.



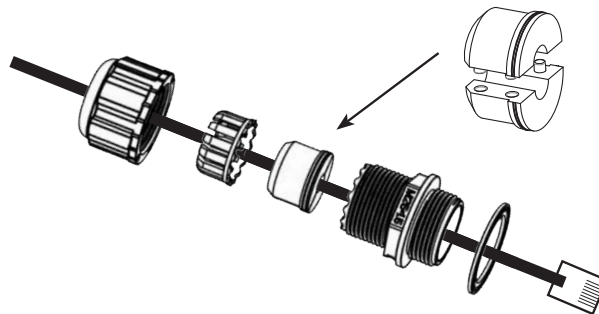
D. Use a large Phillips head screwdriver to mount your radio to Bracket Arm B using the four Radio Mounting Screws. Use small washers and lock washers if necessary. Make sure that the orientation arrow on the back of the panel antenna faces upward so that the drainage hole is at the bottom of the radio.

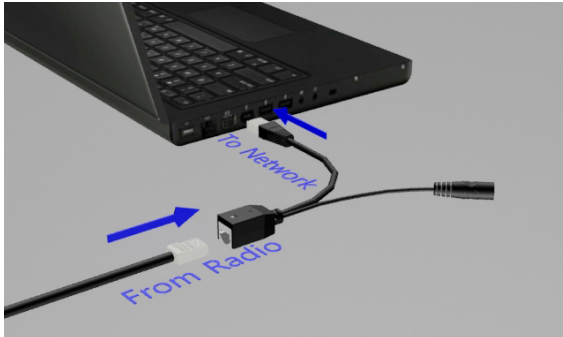


E. Assemble the cable gland on the end of your RJ45 Ethernet cable(not provided). Then connect the cable to your radio's Ethernet port, and fasten the gland. The gland must be fully tightened to provide a waterproof seal.

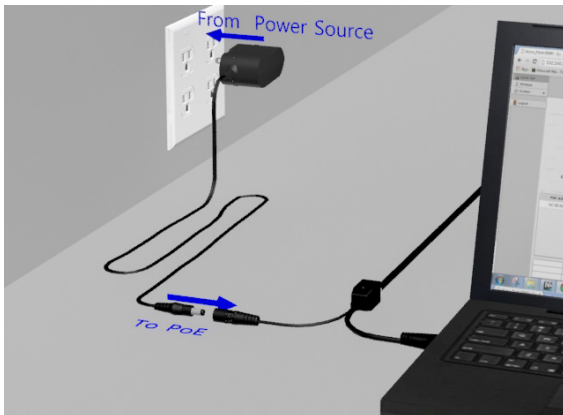
2. The AW58100 units have dual directional flat panel antennas. It is important that the AW58100 antennas be pointed toward each other. Care should be taken to align the panel antenna to provide the best performance. The antenna performs best when the panel's face is aligned toward its partner.

3. Power is provided to the units by means of their Ethernet cables, allowing the power supplies to be located at convenient locations. The included power-over-Ethernet injectors (POE) provide the means for adding DC power to unused wires in the cable. Each radio is provided with a cable clamping device that allows an RJ45 plug on the cable to pass through and can be tightened down around the cable to provide a weatherproof seal.





A. Connect the opposite end of your Ethernet cable to the Power over Ethernet Injector, and the RJ45 tail of the PoE to your network.



B. Connect the PoE to your 18 VDC Power Supply and it to a standard 120 VAC outlet.

Troubleshooting:

Power:

- Check that the POE cabling matches illustration
- Check network connection on your switch and verify all RJ45 cables are plugged in properly
- Only use the POE injector supplied
- Ensure the 110VAC is providing clean and consistent AC power to the 18VDC power supply

Signal Quality:

- Ensure line of sight (LOS)
- Check signal strength in web interface (-40dB is excellent strength and -80dB is weak)

Web Interface:

- Plug RJ45 male side of POE directly in to computer and verify network status shows connected
- Verify the local computer's network settings are in the same IP subnet range as the radio

Technical specifications

CHARACTERISTIC	SPECIFICATION/DESCRIPTION
RF transmission rate	100 Mbps
Ethernet data rate	Up to 60 Mbps
Output power AW58100HTP	200 watts EIRP with 23 dBi directional antenna
Receiver Sensitivity	-115 dBm
Frequency Range	5.150 - 5.250 and 5.725 - 5.850 GHz
Channel Bandwidth	20 MHz
RF channels	9 Non-Overlapping with 20 MHz Channel Bandwidth
Modulation	OFDM (BPSK, QPSK, 16-QAM, 64-QAM)
Range	Line-of-sight range up to 30 miles
Browser Management Tools	QoS Statistics, Network Settings, Channel Selection
Data Security	AES 256-bit Encryption
Operating Environment	-40°C to +70°C, sealed for outdoor operation: die cast aluminum package with rubber gasket seals
Mounting	Heavy Duty Pole-Mount Bracket included
Connector	10/100 Ethernet RJ-45 with weatherproof sealing gland
Power System	Power Over Ethernet 18 VDC Injectors included: 100-240 VAC 50/60Hz primary source
AW58100HTP Antenna	Integrated 23 dBi flat panel, 13" square, 10° Beamwidth
AW58100HTP Size	13" by 13" by 3.25", not including pole-mount bracket, weight 7 lbs
Warranty	1 Year Parts & Labor, XTRa-Care extended warranty available
Certification	FCC, IC

Frequency Channels

Frequency MHz
*Auto - auto scans for unused frequency
5180
5200
5220
5240
5745
5765
5785
5805
5825

Limited Warranty

This product is warranted to the original purchaser for normal use for a period of 360 days from the date of purchase. If a defect covered under this warranty occurs, AvaLAN will repair or replace the defective part, at its option, at no cost. This warranty does not cover defects resulting from misuse or modification of the product.

If you wish, you may purchase extended warranty for this product. AvaLAN's XTRa-Care Extended Warranty provides a two-year extension plus free overnight (Continental USA only) product replacement. Visit our website for more details.

Regulatory Compliance

Compliance Statement (Part 15.19)

This device complies with Part 15 of the FCC Rules.

Operation is subject to the following two conditions:

1. This device may not cause harmful interference, and
2. This device must accept any interference received, including interference that may cause undesired operation.

Warning (Part 15.21)

Changes or modifications not expressly approved by the party responsible for compliance could void the user's authority to operate the equipment.

RF Exposure (OET Bulletin 65)

To comply with FCC RF exposure requirements for mobile transmitting devices, this transmitter should only be used or installed at locations where there is at least 20cm separation distance between the antenna and all persons.

Information to the User - Part 15.105 (b)

This equipment has been tested and found to comply with the limits for a Class B digital device, pursuant to part 15 of the FCC Rules. These limits are designed to provide reasonable protection against harmful interference in a residential installation. This equipment generates, uses and can radiate radio frequency energy and, if not installed and used in accordance with the instructions, may cause harmful interference to radio communications. However, there is no guarantee that interference will not occur in a particular installation. If this equipment does cause harmful interference to radio or television reception, which can be determined by turning the equipment off and on, the user is encouraged to try to correct the interference by one or more of the following measures:

- Reorient or relocate the receiving antenna.
- Increase the separation between the equipment and receiver.
- Connect the equipment into an outlet on a circuit different from that to which the receiver is connected.
- Consult the dealer or an experienced radio/TV technician for help.