

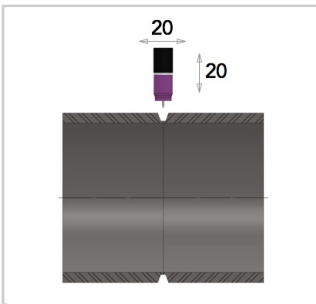
∅19 - ∅115 mm

∅0,75" - ∅4,5"

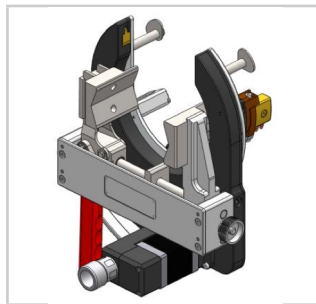
- Ideal for Multi-pass welding up to 12,7 mm thickness
- AVC regulation of the position of the electrode (20 mm stroke)
- Oscillation OSC capacity: 20 mm stroke
- Symmetrical quick clamping through lever
- Motor with encoder : allows for tungsten electrode start-up at all angles and a wide range of diameters
- Axial adjustment of the electrode
- Low rotating free space around the tube: 112 mm radius from center of tube
- Compatible with AVC/OSC module upgrade

Weight: 10,6 Kg / 23 lbs (without cables)

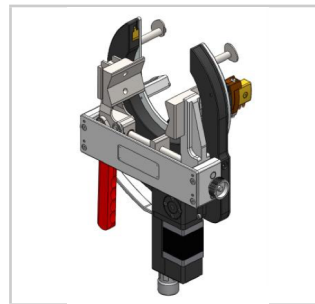
Very compact design
Two motor positions available



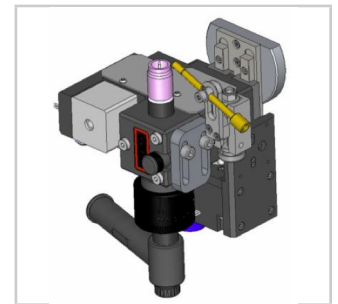
Oscillation stroke :20mm
AVC stroke : 20 mm
Max speed: 15mm/s



SATO-xxxE31: Straight motor
Symmetrical clamping



SATO-xxxE32 : Angle transmission motor
Symmetrical clamping



SOAF: AVC/OSC module

References	Accessories	Consumables
SATO-115E31 SATO-115E32	SAFS-310 : Wire harness extension 10 M SKIB-01: gas protection kit - plugs ∅6 to 41 mm SKIF-01: gas protection kit - membranes ∅40 to 120 mm	SCE16-50 : ∅ 1,6 mm SCE24-50 : ∅ 2,4 mm

